

GB

**Instructions – Garage Door Operator Models
MotorLift 4000UK/5000UK**

CHAMBERLAINTM

Abbey Manor Business Centre
The Abbey, Preston Road
Yeovil, Somerset, BA20 2EN

GB

For Service: 0800 317847

IRL

For Service: (0044) (0) 1935 848 525

CE 0678

AT/BA/BE/BG/CH/CY/CZ/DE/DK/ES/
FR/GB/GR/HR/HU/IE/IS/IT/LU/MT/NL/
NO/PL/PT/RO/RU/SE/SISK/TR/YU

START BY READING THESE IMPORTANT SAFETY RULES

1-GB



These safety alert symbols mean **Caution** – a personal safety or property damage instruction. Read these instructions carefully. This garage door opener is designed and tested to offer reasonable safe service provided it is installed and operated in strict accordance with the following safety rules. Failure to comply with the following instructions may result in serious personal injury or property damage.

Caution: If your garage has no service entrance door, Model 1702EML Outside Quick Release must be installed. This accessory allows manual operation of the garage door from outside in case of power failure.



Keep garage door balanced. Sticking or binding doors must be repaired. Garage doors, door springs, cables, pulleys, brackets and their hardware are under extreme tension and can cause serious personal injury. **Do not attempt to loose, move or adjust them.** Call for garage door service.



Do not wear rings, watches or loose clothing while installing or servicing a garage door opener.



To avoid serious personal injury from entanglement, **remove all ropes connected to the garage door** before installing the door opener.



Installation and wiring must be in compliance with your local building and electrical codes. **Connect the power supply cord only to properly earthed mains.**



Lightweight doors of fiberglass, aluminum or steel must be substantially reinforced to avoid door damage. (See page 4.) The best solution is to check with your garage door manufacturer for an opener installation reinforcement kit.



The safety reverse system test is very important. Your garage door **MUST** reverse on contact with a 50mm obstacle placed on the floor. Failure to properly adjust the opener may result in serious personal injury from a closing garage door. **Repeat the test once a month and make any needed adjustments.**



This unit should not be installed in a damp or wet space.



Door must not extend over public byway during operation.



The force, as measured on the closing edge of the door, should not exceed 150 N (15kg). If the closing force is adjusted to more than 150 N, the Protector System must be installed. Do not use the force adjustments to compensate for a binding or sticking garage door.



Excessive force will interfere with the proper operation of the Safety Reverse System or damage the garage door.



Fasten the **caution label** adjacent to the lighted door control button as a reminder of safe operating procedures.



Disengage all existing garage door locks to avoid damage to garage door.



Install the lighted door control button (or any additional push buttons) **in a location where the garage door is visible, but out of the reach of children. Do not allow children to operate push button(s) or remote control(s).** Serious personal injury from a closing garage door may result from misuse of the opener.



Activate opener only when the door is in full view, free of obstructions and opener is properly adjusted. No one should enter or leave the garage while the door is in motion. Do not allow children to play near the door.



Use manual release **only** to disengage the trolley and, if possible, **only** when the door is closed. **Do not use the red handle to pull the door open or closed.**



Disconnect electric power to the garage door opener before making repairs or removing covers.



This product is provided with a power supply cord of special design which, if damaged, must be replaced by a power supply cord of the same type; such a power supply cord may be obtained from your local Chamberlain distributor and must be fitted by a specialist.

CONTENTS

SAFETY RULES: Page 1

DOOR TYPES: Page 1 – Illustration **1**

TOOLS REQUIRED: Illustration **2**

HARDWARE PROVIDED:

Page 1 – Illustration **3**

BEFORE YOU BEGIN: Page 2

COMPLETED INSTALLATION:

Page 2 – Illustration **4**

ASSEMBLY: Page 2 – Illustrations **5** – **10**

INSTALLATION:

Pages 3-4 – Illustrations **11** – **20**

PROGRAMMING THE CODE:

Page 4 – Illustration **21**

ADJUSTMENT:

Pages 4-5 – Illustrations **22** – **24**

INSTALL THE PROTECTOR SYSTEM™

(Optional): Page 5 – Illustration **25**

OPERATION OF YOUR OPENER: Page 5

CARE OF YOUR OPENER: Page 5

PROBLEMS: Page 6

MAINTENANCE OF YOUR OPENER: Page 7

ACCESSORIES: Page 7 – Illustration **26**

SPECIFICATIONS: Page 7

RAIL ASSEMBLY & INSTALLATION

PARTS LIST: Illustration **27**

OPENER PARTS LIST: Illustration **28**

DOOR TYPES – **1**

A. One-Piece Door with Horizontal Track Only

B. One-Piece Door with Horizontal and Vertical Track – Special door arm (F, The Chamberlain Arm™) required. See your dealer.

C. Sectional Door with Curved Track – See **20** B – connect door arm.

D. Double-wing door – Special door arm required. See your dealer.

E. Canopy door – Special door arm (F, The Chamberlain Arm™) required. See your dealer.

HARDWARE PROVIDED – **3**

Assembly Hardware:

- | | |
|-------------------------|---------------------------------|
| (1) Washered Screws (2) | (7) Lock Nuts (12) |
| (2) Hex Screws (2) | (8) Flat Washers (2) |
| (3) Nuts (2) | (9) Hex Screws (2) |
| (4) Lock Washers (2) | (10) Trolley Threaded Shaft (1) |
| (5) Master Links (2) | (11) Clevis Pin (1) |
| (6) Carriage Bolts (12) | |

Installation Hardware:

- | | | |
|-------------------------|------------------------|-----------------------------|
| (12) Carriage Bolts (2) | (17) Rope | (22) Nuts (9) |
| (13) Wood Screws (4) | (18) Handle | (23) Ring Fasteners (3) |
| (14) Screws (2) | (19) Insulated Staples | (24) Rail Grease |
| (15) Clevis Pins (2) | (20) Anchors (2) | (25) 8mm Anchors (4) |
| (16) Hex Screws (5) | (21) Lock Washers (8) | (26) Sheet Metal Screws (2) |

BEFORE YOU BEGIN:

1. Look at the wall or ceiling above the garage door. The header bracket **must** be securely fastened to structural supports.
2. Do you have a finished ceiling in your garage? If so, a support bracket and additional fastening hardware (not supplied) may be required.
3. Depending on your door's construction, you might need a special door arm. See your dealer.
4. Do you have an access door in addition to the garage door? If not, Model 1702EML Outside Quick Release Accessory is required.

COMPLETED INSTALLATION – 4

As you proceed with the assembly, installation and adjustment procedures in this manual, you may find it helpful to refer back to this illustration of a completed installation.

- | | |
|--------------------------|----------------------------------|
| (1) Cable Pulley Bracket | (9) Manual Release Rope & Handle |
| (2) Trolley | (10) Curved Door Arm |
| (3) Chain & Cable | (11) Straight Door Arm |
| (4) T-rail | (12) Door Bracket |
| (5) Hanging Bracket | (13) Header Bracket |
| (6) Power Cord | (14) Trolley Release Arm |
| (7) Opener | |
| (8) Light Lens | |

ASSEMBLY SECTION 5 – 10

Important: If you have a canopy or dual-track door, you need to use the instructions packed with The Chamberlain Arm™ Accessory in conjunction with this Owner's Manual when assembling the T-rail.

ASSEMBLE THE T-RAIL – 5

Place rail pieces on a flat surface for assembly. The center sections with tapered ends (5) are interchangeable. So are the end sections (4). Connect the braces (3) and lock nuts (2) from one side of the rails and insert the carriage bolts (6) from the opposite side. Then the trolley will not hit the lock nuts when it is installed.

The square necks on the carriage bolts must be seated in square holes in rail sections (1).

For canopy and dual-track doors, continue with the instructions in this manual until Step 12.

INSTALL THE CABLE PULLEY BRACKET – 6

Position cable pulley bracket (2) on the front section of T-rail (6). Fasten securely with: screws (1); lock washers (3) and nuts (4).

When tightening the screws, be sure to keep bracket parallel to rail (5). Otherwise, rail may bow when opener is operated.

INSTALL THE TROLLEY – 7

Insert a screwdriver into trolley "stop" hole in the front end of T-rail (6). Attach trolley threaded shaft (4) to the trolley with: lock washer (2), and nuts (1 & 3). Slide trolley (5) along rail to the "stop".

Note: If the trolley hits against any nuts on the T-rail, review rail assembly and reposition hardware.

FASTEN T-RAIL & ATTACH CHAIN SPREADER – 8

Place packing material under the opener to protect the opener cover. For convenience, place a support under the cable pulley bracket end of rail.

Remove the (2) washered screws (4) from the top of the opener. Align holes in back end of the T-rail with holes in opener (7).

Fasten the rail to the opener with the same washered screws and tighten securely. **Caution: Use only those screws!** Use of any other screws will cause serious damage to the door opener.

Attach the chain spreader (2) with hex screws (1) and flat washers (3).

Insert a hex screw (5) into trolley stop hole in T-rail (6). Tighten securely with a lock washer (8) and nut (9).

INSTALL THE CHAIN/CABLE – 9

Do not remove chain/cable from carton.

Dispense a few inches of cable from carton and fasten to trolley with a master link.

Master Link Procedure: Push pins of master link bar (5) through cable loop (6) and hole in front end of trolley (7). Push cap (2) over pins (8) and onto notches. Slide clip-on spring (1) over cap and onto pin notches until both pins are securely locked in place.

Caution: Keep chain taut during installation to help prevent kinking.

With the trolley against screwdriver, dispense chain/cable around pulley (4). Proceed back around a groove in chain spreader (9). (Chain installation for either the 6-tooth sprocket (11) or the 8-tooth sprocket (12) is based on door type.) **All one-piece doors should use the 6-tooth sprocket.** The opener sprocket teeth (10) must engage the chain.

Use the second master link to connect the chain to the flat end of the threaded shaft (3).

Check to make sure the chain is not twisted.

Remove the screwdriver.

TIGHTEN THE CHAIN/CABLE – 10

Spin inner nut (3) and lock washer (2) down threaded shaft (4).

Check to make sure chain is not twisted.

To tighten the chain, turn outer nut (1) in the direction shown. As you turn the nut, keep the chain from twisting.

When chain is approximately 13mm (1/2") above the base of the T-rail (5) at midpoint, re-tighten inner nut.

Sprocket noise can result if chain is either too loose or too tight.

When installation is complete, you may notice some chain droop with the door closed. This is normal. The chain returns to the position described above when the door is open, **do not re-adjust the chain.**

During future maintenance, ALWAYS pull the manual release handle to disconnect trolley before adjusting chain.

ASSEMBLY OF YOUR OPENER IS NOW COMPLETE.

Wear protective goggles when working overhead to protect your eyes from injury.

Disengage all existing garage door locks to avoid damage to the garage door.

To avoid serious personal injury from entanglement, remove all ropes connected to the garage door before installing the opener.

Installation of this product shall comply with ZH1/494, VDE 0700 Part 238, and VDE 0700 Part 1.

It is recommended that the opener be installed 2,1m (7 feet) or more above the floor where space permits.

POSITION THE HEADER BRACKET – 11

The header bracket must be rigidly fastened to a structural support of the garage. Reinforce the wall or ceiling with a 40mm (1-1/2") board if necessary. Failure to comply may result in improper operation of safety reverse system.

You can attach the header bracket either to the header wall (1) or to the ceiling (3). Follow the instructions which will work best for your particular requirements.

With the door closed, mark the vertical centerline (2) of the garage door. Extend line onto header wall above the door.

Open door to highest point of travel. Draw an intersecting horizontal line on header wall 5cm (2") above high point to provide travel clearance for top edge of door.

INSTALL THE HEADER BRACKET – 12

A. Wall Mount: Center the bracket (2) on the vertical guideline (1) with the bottom edge of the bracket on the horizontal line (6) (with the arrow pointing toward the ceiling).

Mark either set of bracket holes (4 or 5). **Do not use the holes designated for ceiling mount.** Drill 4,5mm (3/16") pilot holes and fasten the bracket with wood screws (3).

B. Ceiling Mount: Extend vertical guideline (1) onto the ceiling.

Center the bracket (2) on the vertical mark no more than 150mm (6") from the wall. Make sure the arrow is pointing toward the wall.

Mark holes designated for ceiling mount only (4). Drill 4,5mm (3/16") pilot holes and fasten the bracket with wood screws (3).

ATTACH T-RAIL TO HEADER BRACKET – 13

Position opener on garage floor below the header bracket. Use packing material to protect the cover.

Note: *To enable the T-rail to clear sectional door springs, it may be necessary to lift opener onto a temporary support.*

The opener must either be secured to a support or held firmly in place by another person.

Raise T-rail until cable pulley and header brackets come together. Join with clevis pin (1). Insert ring fastener (2) to secure.

POSITION THE OPENER – 14

Note: *A 25mm (1") board (1) is convenient for setting an ideal door-to-T-rail distance (unless headroom is not sufficient).*

Raise the opener onto a stepladder. Open garage door. Place a 25mm (1") board (1) laid flat on the top section of door near the centerline as shown. Rest the T-rail on the board.

If the raised door hits the trolley, pull down on the trolley release arm to disconnect the inner and outer trolley sections. The trolley can remain disconnected until connecting door arm to trolley is completed.

HANG THE OPENER – 15

The opener must be securely fastened to a structural support of the garage.

Three representative installations are shown. Yours may be different. Hanging brackets (1) should be angled (Figure A) to provide rigid support. On finished ceilings, (Figure B) attach a sturdy metal bracket (not supplied) (4) to a structural support before installing the opener. For concrete ceiling mount, (Figure C), use concrete anchors (5) provided.

On each side of opener measure the distance from the opener to the structural support (or ceiling).

Cut both pieces of the hanging bracket to required lengths. Flatten one end of each bracket and bend or twist to fit the fastening angles. **Do not bend at the bracket holes.** Drill 4,5mm (3/16") pilot holes in the structural supports (or ceiling). Attach flattened ends of brackets to supports with wood screws (2).

Lift opener and fasten to hanging brackets with screw, lock washer and nut (3). Check to make sure T-rail is centered over the door. REMOVE 25mm (1") board. Operate door manually. If door hits the rail, raise header bracket.

Grease the top and underside of rail surface on which the trolley slides. A tube of grease is supplied.

ATTACH MANUAL RELEASE

ROPE & HANDLE – 16

Thread one end of rope (1) through hole in top of red handle so "NOTICE" reads right side up as shown (3). Secure with an overhand knot (2). Knot should be at least 25mm (1") from end of the rope to prevent slipping.

Thread other end of rope through hole in release arm of the outer trolley (4). Adjust rope length so that handle is 1,8m (6 feet) above the floor. Secure with an overhand knot.

Note: *If it is necessary to cut rope, heat seal cut end with a match or lighter to prevent fraying.*

CONNECT ELECTRIC POWER

TO AVOID INSTALLATION DIFFICULTIES, DO NOT RUN THE GARAGE DOOR OPENER UNTIL INSTRUCTED TO DO SO.

Connect the opener to a mains which is properly EARTHED according to the wiring instruction tag attached to power supply cord (and as specified by local code).

Connect the door opener only to an outlet controlled by a double pole switch.

INSTALL THE MULTI-FUNCTION DOOR CONTROL (MOTORLIFT 5000) OR LIGHTED DOOR CONTROL PUSH BUTTON – 17

Locate the door control within sight of the garage door, away from all moving parts of the door and door hardware and out of the reach of children.

Serious personal injury from a moving garage door may result from misuse of opener. Do not allow children to operate the door control or remote control transmitters.

Fasten the caution label on the wall near the door control as a reminder of safe operating procedures.

There are 2 screw terminals (1) on the back of the multi-function door control (2), or lighted door control button (3). Strip about 6mm (1/4") of insulation from bell wire (4). Separate wires enough to connect the white/red wire to terminal screw 1 and the white wire to terminal screw 2.

Fasten the multi-function door control to an inside garage wall with sheet metal screws provided (5). For lighted door control button use screws provided (6). Drill 4mm (5/32") holes and use anchors (7) if installing into drywall or concrete. A convenient place is beside the service door and **out of reach of children.**

Run the bell wire up the wall and across the ceiling to the garage door opener. Use insulated staples (8) to secure wire. The receiver terminal screws (9) are located on the back panel of the opener. Connect the bell wire to the terminal screws as follows: white/red to 1 and white to 2.

OPERATION OF THE LIGHTED DOOR CONTROL BUTTON

Press to open or close the door. Press again to **reverse** the door during the **closing** cycle or to **stop** the door during **opening** cycle.

INSTALL THE LIGHT AND LENS – 18

Install a 40 watt maximum (230V, E27) light bulb (1) in the socket as shown. The light will turn on and remain lit for 4-1/2 minutes when power is connected. After 4-1/2 minutes it will turn off.

Replace burned out bulbs with rough service light bulbs. Bulb not included. Use only 40 watt maximum (230V, E27) ESRS type.

Apply slight pressure on sides of the lens (2) and slide tabs (3) into slots (4) in the end panel. Reverse the procedure to remove the lens.

FASTEN DOOR BRACKET – 19

If yours is a canopy or dual-track style garage door, a door arm conversion kit is required. Follow the installation instructions included with the replacement door arm. Exercise care in removing and assembling arm conversion kit. Keep fingers away from the sliding parts.

Sectional and One-Piece Door Installation Procedure:

- Center bracket (1) at the top of inside face of door as shown. Mark holes.
- A. Wooden doors**
Drill 8mm (5/16") holes and fasten the door bracket with nut, lock washer, and carriage bolt (2).
- B. Sheet metal doors**
Fasten with sheet metal screws (3).
- C. One-piece door optional**
Fasten with sheet metal screws (3).

CONNECT DOOR ARM TO TROLLEY – 20

Sectional Door Installation: Note door arm configuration in Figure B.
One-Piece Door Installation: Procedure (Figure A).

Connect straight door arm (1) and curved door arm sections (2) to obtain the longest possible length with hardware (3, 4 & 5). With door closed, connect straight door arm section to door bracket with a clevis pin (6). Secure with a ring fastener (7).

Before connecting door arm to trolley, adjust travel limits. Limit adjustment screws are located on left side panel.

Open Door Adjustment: Decrease up limit. Turn up limit adjustment screw counterclockwise 5-1/2 turns.

Press door control button. Trolley will travel to full open position (8).

Manually raise door to open position (parallel to floor) and lift door arm (9) to trolley. The arm should touch trolley just in back of door arm connector hole (10) as shown in **solid line** drawing. Increase up limit if necessary. One full turn equals 5cm (2") of door travel.

Closed Door Adjustment: Decrease down limit. Turn down limit adjustment screw clockwise 5 complete turns.

Press door control button. Trolley will travel to full closed position (11).

Manually close door and lift door arm (12) to trolley. The arm should touch trolley just ahead of door arm connector hole (13) as shown in **dotted line** drawing. Decrease down limit if necessary. One full turn equals 5cm (2") of door travel.

Connect Door Arm to Trolley: With door closed, connect curved arm to trolley with remaining clevis pin. Secure with ring fastener.

Note: Lift door slightly to make connection if necessary.

Run opener through a complete travel cycle. If door has a slight "backward" slant in full open position, decrease up limits until door is parallel to floor.

PROGRAM YOUR OPENER & REMOTE – 21

Activate the opener only when door is in full view, free of obstruction and properly adjusted. No one should enter or leave garage while door is in motion. Do not allow children to operate push button(s) or remote(s). Do not allow children to play near the door.

Your garage door opener receiver and remote control transmitter are set to a matching code. If you purchase additional remote controls, the garage door opener must be programmed to accept the new remote code.

Program the Receiver to Match Additional Remote Control Codes

- Press and **hold** the remote control push button (1).
- Press and release the "Smart" button (2) on the back panel of the opener. The opener light will *flash* once.
- Release the remote push button.

Now the opener will operate when the remote control push button is pressed.

If you release the remote control push button before the opener light flashes, the opener will not accept the code.

To Erase all Remote Control Codes

- Press and hold the "Smart" button on the opener panel until the indicator light turns off (about 6 seconds). **All the codes the opener has learned will be erased.**
- To reprogram, repeat Steps 1 – 3 for each remote control in use.

ADJUSTMENT SECTION 22 – 24**LIMIT ADJUSTMENT – 22**

Run the opener through a **complete travel cycle**. Limit adjustments are not necessary when the door opens and closes completely and doesn't reverse unintentionally in the fully closed position.

Situations requiring limit adjustment are listed below. Run the opener through a **complete travel cycle after each adjustment**.

Note: Repeated operation of the opener during adjustment procedures may cause motor to overheat and shut off. Allow a 15 minute cooling period after 5 continuous operations of the opener.

Read the following carefully before proceeding to Force Adjustment. Use a screwdriver to make limit adjustments.

If Door Doesn't Open Completely but Opens at Least 1,5m (5 feet): Increase up travel. Turn the up limit adjustment screw (1) clockwise. One turn equals 5cm (2") of travel.

If door does not open at least 1,5m (5 feet): Adjust up (open) force. See Force Adjustment.

If Door Doesn't Close Completely: If door arm is at maximum length, increase down travel. Turn down limit adjustment screw (2) counterclockwise. One turn equals 5cm (2") of travel. If the door still will not close completely, the header bracket is positioned too high.

If Opener Reverses in Fully Closed Position: Decrease down travel. Turn down limit adjustment screw (2) clockwise. One turn equals 5cm (2") of travel.

If Door Reverses when Closing and there is no Interference to Travel Cycle: Test door for binding. Pull manual release handle. Manually open and close door. If door is binding, call a door serviceman. If door is not binding or unbalanced, adjust down (close) force.

FORCE ADJUSTMENT – 23

The force, as measured on the closing edge of the door, should not exceed 150 N (15kg). If the closing force is adjusted to more than 150 N, the Protector System must be installed.

Do not use force adjustments to compensate for a binding or sticking garage door. Excessive force will interfere with proper operation of safety reverse system or damage garage door.

Force Adjustment Controls (1 & 2) are located on the back panel of opener.

If the force adjustments are set too light, door travel may be interrupted by nuisance reversals in **down** direction and stops in **up** direction. Weather conditions can affect the door movement, occasional adjustment may be needed.

Maximum force adjustment range is 260 degrees, about 3/4 of a complete turn. Do not force controls beyond that point. Turn force adjustment controls with a screwdriver.

Test Down (Close) Force: Grasp the door handle or door bottom when door is about halfway through **down (close) travel**. Door should reverse. (*Reversal halfway through down travel does not guarantee reversal on a 50mm obstruction.*) If the door is hard to hold or doesn't reverse, decrease **down (close) force** by turning the control (2) in a counterclockwise direction. Make small adjustments until door reverses normally. After each adjustment, run opener through a complete cycle.

If Door Doesn't Open at Least 1,5m (5 feet): Increase **up (open) force** by turning the control (1) in a clockwise direction. Make small adjustments until door opens completely. Re-adjust **up limit** if necessary. After each adjustment, run opener through a complete travel cycle.

If Door Reverses During Down (Close) Cycle: Increase **down (close) force** by turning the control (2) in a clockwise direction. Make small adjustments until door completes close cycle. After each adjustment, run the opener through a complete travel cycle.

Do not increase the force beyond the minimum amount required to close the door.

TEST THE SAFETY REVERSE SYSTEM – 24

The safety reverse system test is important. Garage door must reverse on contact with a 50mm obstacle laid flat on the floor. Failure to properly adjust opener may result in serious personal injury from a closing garage door. Repeat test once a month and adjust as needed.

Procedure: Place a 50mm obstacle (1) laid flat on the floor under the garage door. Operate the door in the **down** direction. The door **must** reverse on the obstruction. If the door **stops** on the obstruction, it is not traveling far enough in the **down** direction. Increase the **down** limit by turning **down** limit adjustment screw counterclockwise 1/4 turn. **Repeat test.**

When the door reverses on the 50mm obstacle, remove the obstruction and run the opener through a complete travel cycle. Door **must not** reverse in closed position. If it does, adjust Limits and Force and repeat safety reverse test.

INSTALL THE PROTECTOR SYSTEM™ – 25 (See accessories)

The force, as measured on the closing edge of the door, should not exceed 150 N (15kg). If the closing force is adjusted to more than 150 N, the Protector System must be installed.

After opener has been installed and adjusted, **The Protector System™** accessory can be installed. Instructions are included with this accessory.

The Protector System™ provides an additional measure of safety against a small child being caught under a garage door.

It uses an invisible beam which, when broken by an obstruction, causes a closing door to open and prevents an open door from closing. *It is strongly recommended for homeowners with young children.*

OPERATION OF YOUR OPENER

Your opener can be activated by any of the following devices:

- **The Lighted Door Control Button.** Hold the button down until door starts to move.
- **The Outside Keylock or Keyless Entry System** (if you have installed either of these accessories).
- **The Remote Control Transmitter.** Hold the push button down until the door starts to move.

Opening the Door Manually:

Door should be fully closed if possible. Weak or broken springs could allow an open door to fall rapidly. Property damage or serious personal injury could result.

The door can be opened manually by pulling the release handle down and back (toward the opener). To reconnect the door, pull the release handle straight down.

Do not use the manual release handle to pull the door open or closed.

When the Opener is Activated by Remote Control or Lighted Door Control Button:

1. If open, the door will close. If closed, the door will open.
2. If closing, the door will reverse.
3. If opening, the door will stop (allowing space for entry and exit of pets and for fresh air).
4. If the door has been stopped in a partially open position, it will close.
5. If an obstruction is encountered while closing, the door will reverse.
6. If an obstruction is encountered while opening, the door will stop.
7. The optional Protector System™ uses an invisible beam which, when broken by an obstruction, causes a closing door to open and prevents an open door from closing. It is **STRONGLY RECOMMENDED** for homeowners with young children.

Allow a 15 minute cooling period after 5 continuous operations of the opener.

The opener light will turn on: 1. when opener is initially plugged in; 2. when the power is interrupted; 3. when the opener is activated.

The light turns off automatically after 4-1/2 minutes. Bulb size is 40 Watts maximum (230V,E27), ESRS type.

CARE OF YOUR OPENER

When properly installed, opener will provide high performance with a minimum of maintenance. The opener does not require additional lubrication.

Limit and Force Adjustments: These adjustments must be checked and properly set when opener is installed. Only a screwdriver is required. *Weather conditions may cause some minor changes in the door operation, requiring some re-adjustments, particularly during the first year of operation.*

Refer to the limit and force adjustments on pages 4 & 5. Follow the instructions carefully and **repeat the safety reverse test after any adjustment.**

Remote Control Transmitter: The portable remote control may be secured to a car sun visor with the clip provided. Additional remotes can be purchased at any time for use in all vehicles using garage. Refer to Accessories. The receiver must be programmed to operate with any new remote.

Remote Control Battery: The lithium batteries should produce power for up to 5 years. When the light becomes dim or does not come on, replace the battery. If transmission range lessens, check the battery test light.

To Change Battery: To replace batteries, use the visor clip or screwdriver blade to pry open the case. Insert batteries *positive side up*. To replace cover, snap shut along both sides. Do not dispose of the old battery with household waste. Take batteries to a proper disposal center.

HAVING A PROBLEM?

1. Opener doesn't operate from either door control or remote:

- Does the opener have electric power? Plug lamp into outlet. If it doesn't light, check the fuse box or the circuit breaker. (Some outlets are controlled by a wall switch.)
- Have you disengaged all door locks? Review installation instruction warnings on page 1.
- Is there a build-up of ice or snow under door? The door may be frozen to ground. Remove any obstruction.
- The garage door spring may be broken. Have it replaced.
- Repeated operation may have tripped the overload protector in the motor. Wait 15 minutes. Try again.

2. Opener operates from remote but not from door control:

- Is door control button lit? If not, remove the bell wire from the opener terminals. Short the red and white terminals by touching both terminals at the same time with a piece of wire. If the opener runs, check for a faulty wire connection at the door control, a short under the staples, or a broken wire.
- Are wiring connections correct? Review page 3.

3. Door operates from door control but not from remote:

- Check the battery test light. Replace battery if necessary.
- If you have two or more remotes and only one operates, review receiver programming procedures on page 4.
- Is the door control button flashing? The opener receiver must re-learn the remote control code. Follow the instructions on page 4.

4. Remote has short range:

- Is battery installed? Check battery test light. If the light is dim, change the battery.
- Change the location of the remote control on the car.
- A metal garage door, foil-backed insulation or metal siding will reduce the transmission range.

5. Door reverses for no apparent reason and opener light doesn't blink:

- Is something obstructing the door? Pull manual release handle. Operate door manually. If it is unbalanced or binding, call for professional garage door service.
- Clear any ice or snow from garage floor area where garage door closes.
- Review Force Adjustment.
- If door reverses in **FULLY CLOSED** position, decrease travel limits.

Repeat safety reverse test after adjustment is complete.

The need for occasional adjustment of the force and limit settings is normal. Weather conditions in particular can affect door travel.

6. Door reverses for no apparent reason and opener light blinks for 5 seconds after reversing:

Check The Protector System™ (if you have installed this accessory). If the light is blinking, correct alignment.

7. Opener noise is disturbing in living quarters of home:

If operational noise is a problem because of proximity of the opener to the living quarters, Vibration Isolator Kit 41A3263 can be installed. This kit was designed to reduce the "sounding board effect" and is easy to install.

8. The garage door opens and closes by itself:

Make sure remote push button is not stuck "on".

9. Door stops but doesn't close completely:

Review Travel Limits Adjustment.

Repeat safety reverse test after any adjustment of door arm length, close force or down limit.

10. Door opens but won't close:

- Check The Protector System™ (if you have installed this accessory). If the light is blinking, correct alignment.
- If opener light does not blink and it is a new installation, check the down force.

Repeat the safety reverse test after the adjustment is complete.

11. Opener light does not turn ON:

Replace light bulb (40 Watts maximum, 230V, E27). Replace burned out bulbs with *rough service* light bulbs.

12. Opener light does not turn OFF:

There may be a defective earth at the ceiling or wall receptacle. **The unit must be earthed.**

13. Opener strains or maximum force is needed to activate door:

Door may be unbalanced or springs are broken. Close door and use manual release rope and handle to disconnect trolley. Open and close door manually. A properly balanced door will stay in any point of travel while being supported entirely by its springs. If it does not, call for professional garage door service to correct the problem. **Do not increase the force to operate the opener.**

14. Opener motor hums briefly, then won't work:

- Garage door springs are broken. **SEE ABOVE.**
- If problem occurs on first operation of opener, door is locked. **Disable door lock.** If chain was removed and reinstalled, the motor may be out of phase. Remove chain; cycle motor to down position. Observe drive sprocket. When it turns in clockwise direction and stops in down position, re-install chain.

Repeat safety reverse test after adjustment is complete.

15. Opener won't activate due to power failure:

- Pull manual release rope and handle down and back to disconnect trolley. Door can be opened and closed manually. When the power is restored, pull the manual release handle **straight down**. The next time the opener is activated, the trolley will reconnect.
- The Outside Quick Release accessory (if fitted) disconnects the trolley from outside the garage in case of power failure.

16. The chain droops or sags:

It is normal for the chain to droop slightly in the closed door position. Use the manual release rope and handle to disconnect the trolley. If the chain returns to the normal height when the trolley is disengaged and the door reverses on a 50mm obstacle laid flat, no adjustments are needed.

MAINTENANCE OF YOUR OPENER

Once a Month:

- Repeat safety reverse test. Make any necessary adjustments.
- Manually operate door. If it is unbalanced or binding, call for professional garage door service.
- Check to be sure door opens and closes fully. Adjust Limits and/or Force if necessary.

Twice a Year:

- Check chain tension. Disconnect trolley first. Adjust if necessary.

Once a Year:

Oil door rollers, bearings and hinges. The opener does not require additional lubrication. Do not grease the door tracks.

ACCESSORIES – 26

- (1) Model 4330EMLSingle-Function Remote Control
- (2) Model 4333EML3-Function Remote Control
- (3) Model 4335EML3-Function Mini Remote Control
- (4) Model 845EMLMulti-Function Door Control Panel
- (5) Model 747EMLKeyless Entry System
- (6) Model 760EMLOutside Keylock
- (7) Model 1702EMLOutside Quick Release
- (8) Model 770EMLThe Protector System™
- (9) Model 1703EMLThe Chamberlain Arm™
- (10) Model 1EMLDoor Handle Quick Release
- (11) Model 34EML2-Position Key Switch
Flush Mount
- Model 41EML2-Position Key Switch
Surface Mount

WIRING INSTRUCTIONS FOR ACCESSORIES

- Keyless Entry System** – To opener terminals: Red-1 and White-2
- Lighted Push Button** – To opener terminals: Red-1 and White-2
- Outside Keylock** – To opener terminals: Red-1 and White-2
- Protector System™** – To opener terminals: White-2 and Black-3
- Door Control Panel** – To opener terminals: Red-1 and White-2

REPLACEMENT PARTS 27 – 28

Declaration of Conformity

Automatic Garage Door Opener.....Model Nos. G4000MLXX/G5000MLXX is in conformity to the applicable sections of Standards.....EN 300 220-3, EN55014, EN61000-3, ETS 300 683, & EN60335-1 per the provisions & all amendments of the EU Directives1999/5/EC, 73/23/EEC, 89/336/EEC

Declaration of Incorporation

Automatic Garage Door Opener Model No. G4000ML/G5000ML, when installed and maintained according to all the Manufacturer's instructions in combination with a Garage Door, which has also been installed and maintained according to all the Manufacturer's instructions, meet the provisions of EU Directive 89/392/EEC and all amendments.

I, the undersigned, hereby declare that the equipment specified above and any accessory listed in the manual conforms to the above Directives and Standards.

THE CHAMBERLAIN GROUP, INC.
Elmhurst, IL 60126
USA
May, 2003



Barbara P. Kelkhoff

Barbara P. Kelkhoff
Manager, Reg. Affairs

SPECIFICATIONS

Max. Pull Force800N
Watts600

Motor

TypePermanent split capacitor
Speed1500 rpm
Volts230-240 Volts AC-50Hz Only

Drive Mechanism

Gears.....16:1 worm gear reduction
DriveChain/cable with one-piece trolley on steel T-rail.

Length of TravelAdjustable to 2,29m (7-1/2 feet)
Travel Rate133-178mm (5.25-7 feet) per second
Lamp1x230V/40W/E27 socket, on when door starts, off 4-1/2 minutes after stop.

Door LinkageAdjustable door arm. Pull cord trolley release.

Safety

PersonalPush button and automatic reversal in **down** direction. Push button and automatic stop in **up** direction.
Electronic.....Independent **up** and **down** force adjustment screws.
Electrical.....Motor overload protector and low voltage push button wiring.
Limit Device.....Circuit actuated by limit nut.
Limit Adjustment.....Screwdriver adjustment on side panel.
Start Circuit.....Low voltage push button circuit.

Dimensions

Length (Overall).....3,11m (122-1/2 inches)
Headroom Required5cm (2 feet)
Hanging Weight.....14,5 kg (32 lb)

Receiver

Operating Frequency.....433.92 MHz
Memory Registers12
Code Switch Memory1
Keypad Code Memory.....1

GARAGE DOOR OPENER WARRANTY

Chamberlain GmbH warrants to the first retail purchaser of this product that the product shall be free from any defect in materials and/or workmanship for a period of 48 full months (4 years): G4000ML and 60 full months (5 years): G5000ML from the date of purchase. Upon receipt of the product, the first retail purchaser is under obligation to check the product for any visible defects.

Conditions: The warranty is strictly limited to the repair or replacement of the parts of this product which are found to be defective and does not cover the costs or risks of transportation of the defective parts or product.

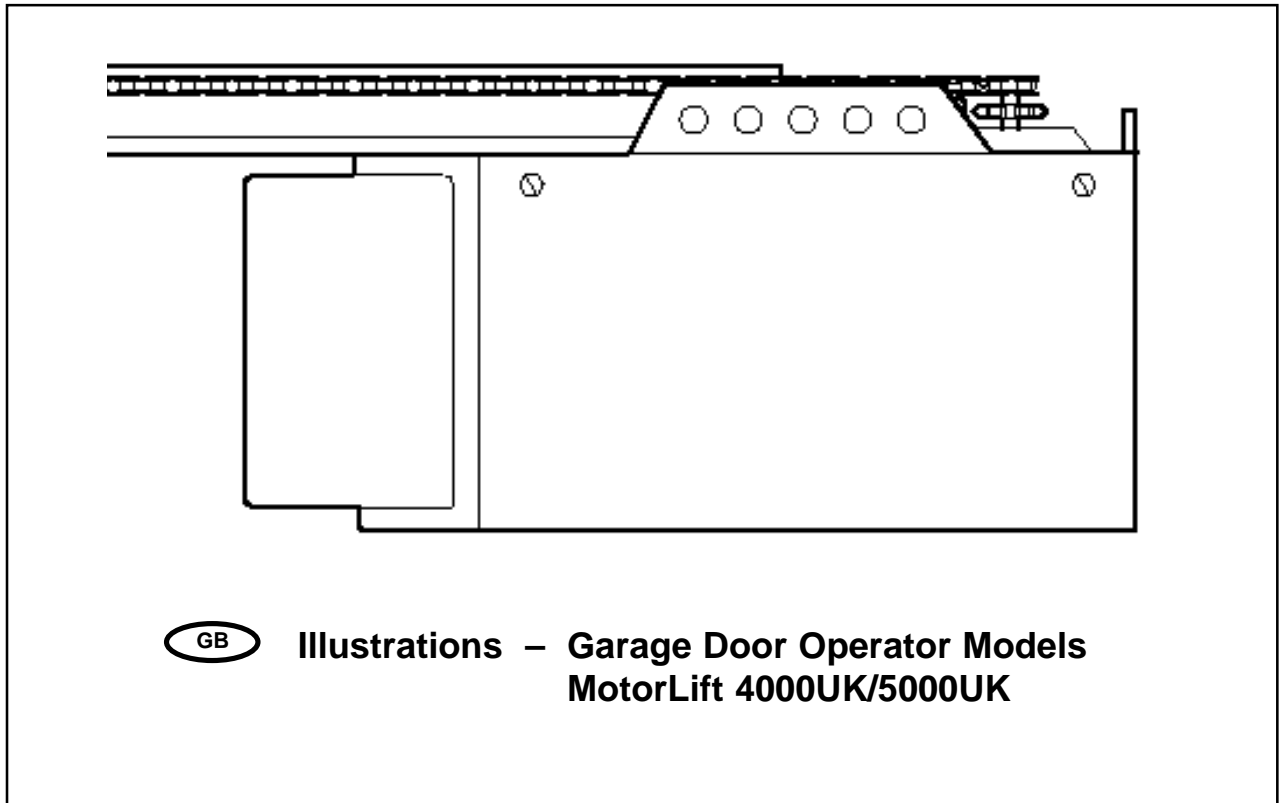
This warranty does not cover non-defect damage caused by unreasonable use (including use not in complete accordance with Chamberlain's instructions for installation, operation and care; failure to provide necessary maintenance and adjustment; or any adaptations of or alterations to the products), labor charges for dismantling or reinstalling of a repaired or replaced unit or replacement batteries.

A product under warranty which is determined to be defective in materials and/or workmanship will be repaired or replaced (at Chamberlain's option) at no cost to the owner for the repair and/or replacement parts and/or product. Defective parts will be repaired or replaced with new or factory rebuilt parts at Chamberlain's option.

If, during the warranty period, the product appears as though it may be defective, contact your original place of purchase.

This warranty does not affect the purchaser's statutory rights under applicable national legislation in force nor the purchaser's rights against the retailer arising from their sales/purchase contract. In the absence of applicable national or EU legislation, this warranty will be the purchaser's sole and exclusive remedy, and neither Chamberlain nor its affiliates or distributors shall be liable for any incidental or consequential damages for any express or implied warranty relating to this product.

No representative or person is authorized to assume for Chamberlain any other liability in connection with the sale of this product.



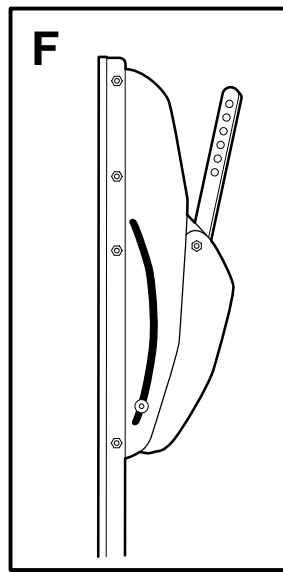
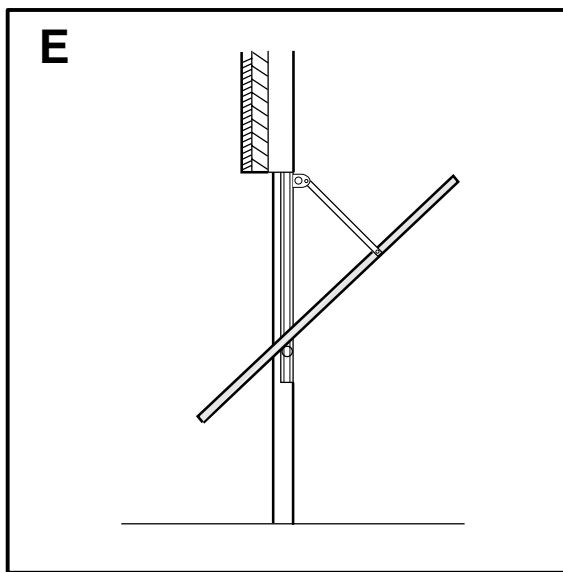
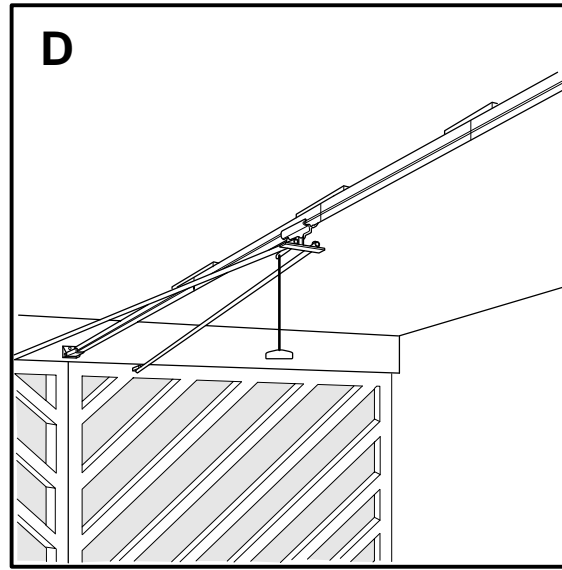
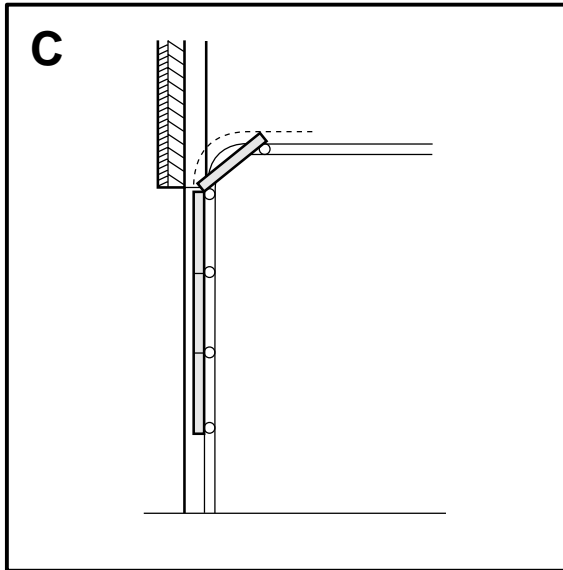
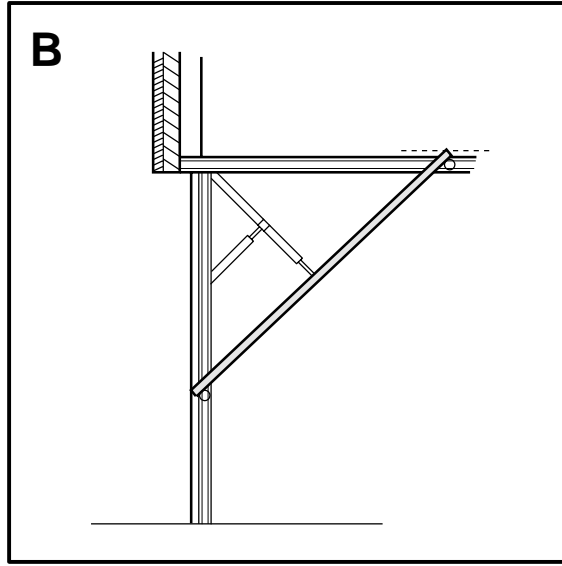
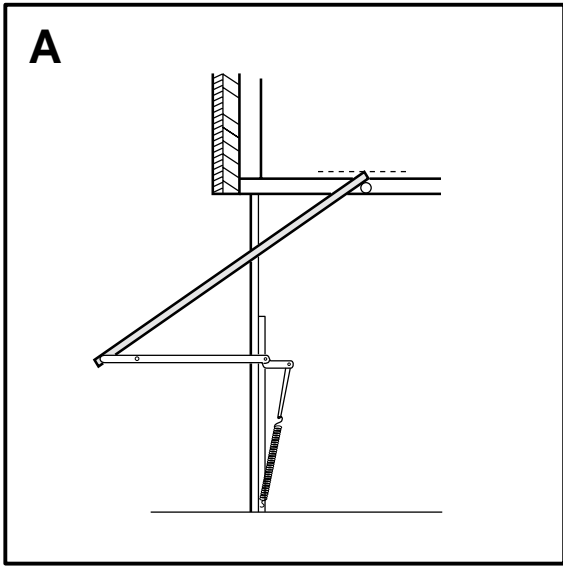
CHAMBERLAINTM

Abbey Manor Business Centre
The Abbey, Preston Road
Yeovil, Somerset, BA20 2EN

CE 0678

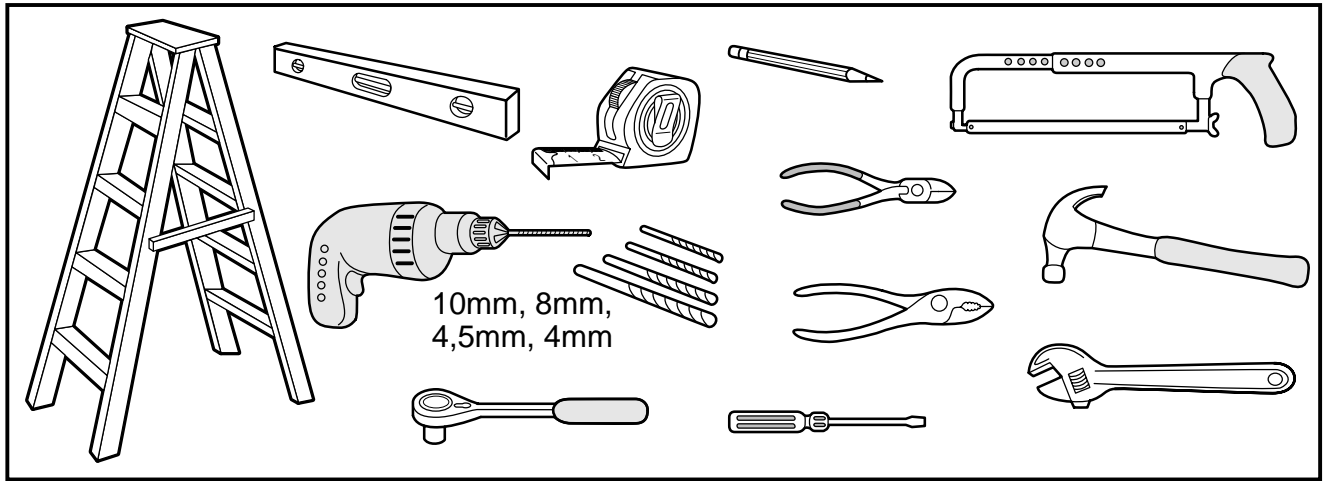
AT/BA/BE/BG/CH/CY/CZ/DE/DK/ES/
FR/GB/GR/HR/HU/IE/IS/IT/LU/MT/NL/
NO/PL/PT/RO/RU/SE/SV/SK/TR/YU

1

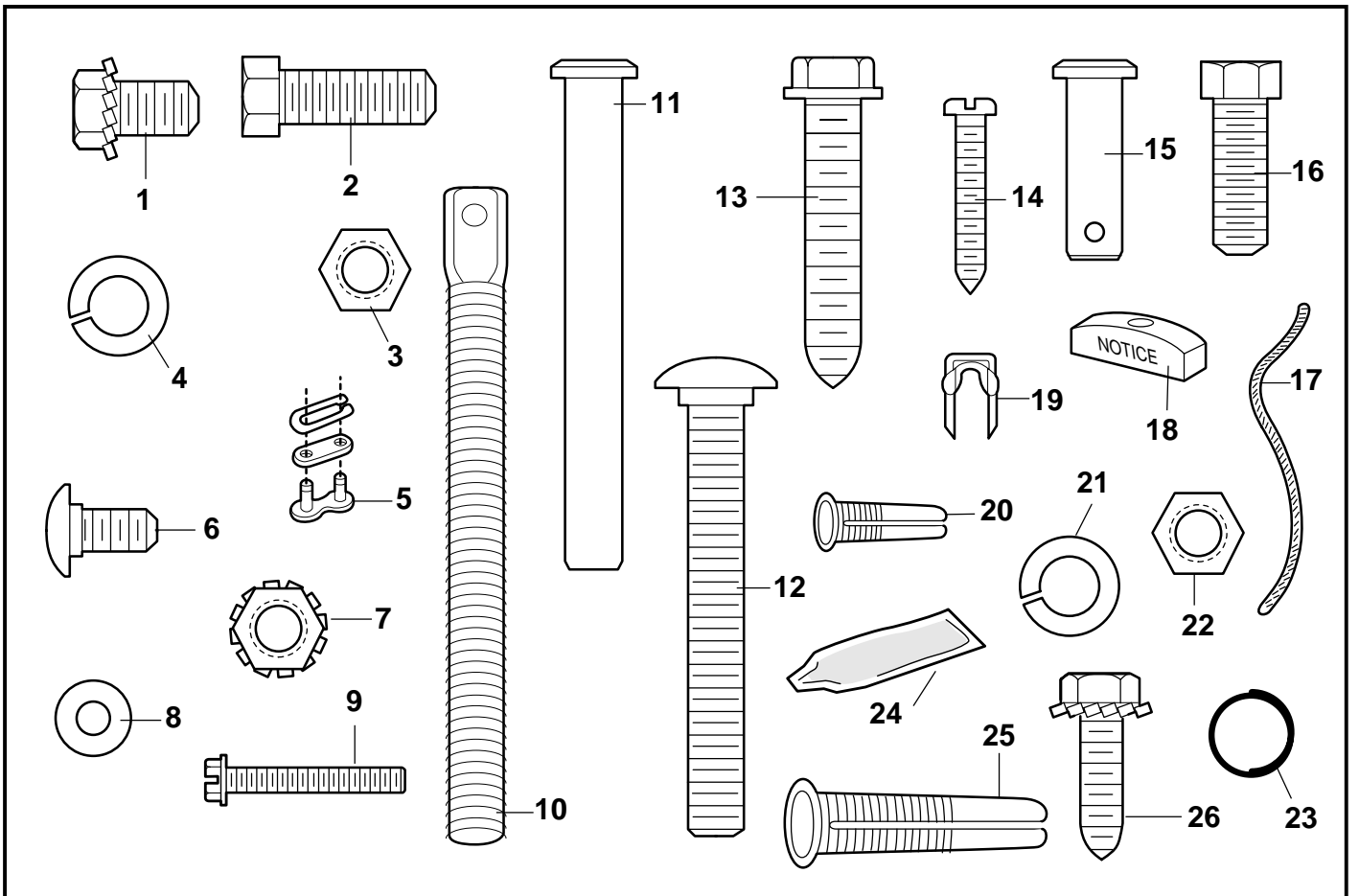


114A2063E

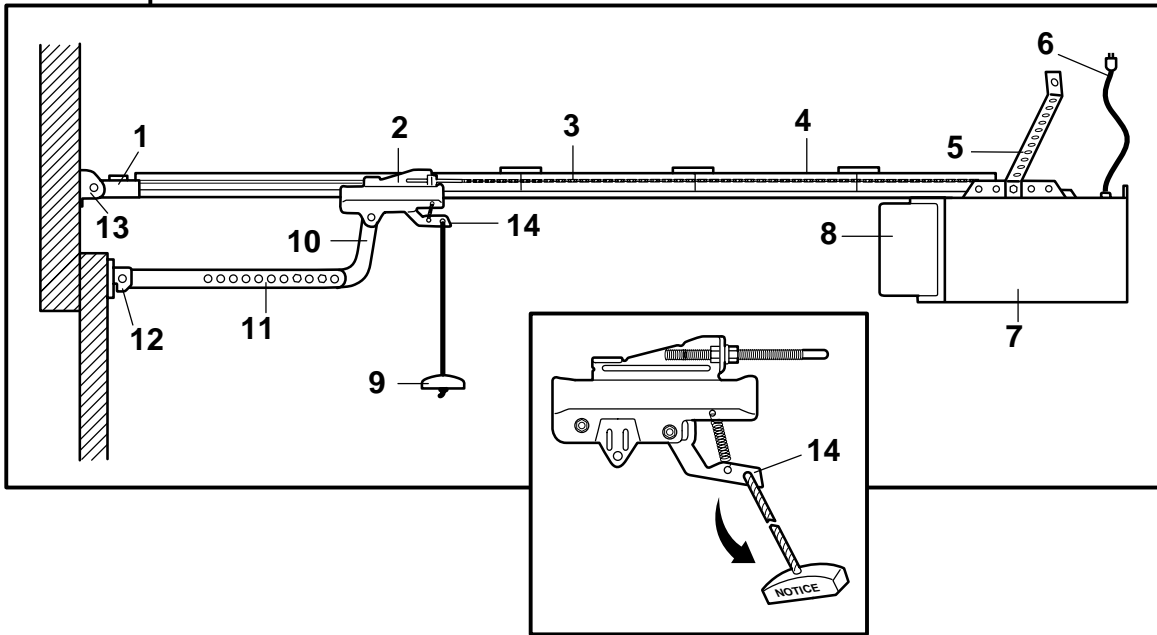
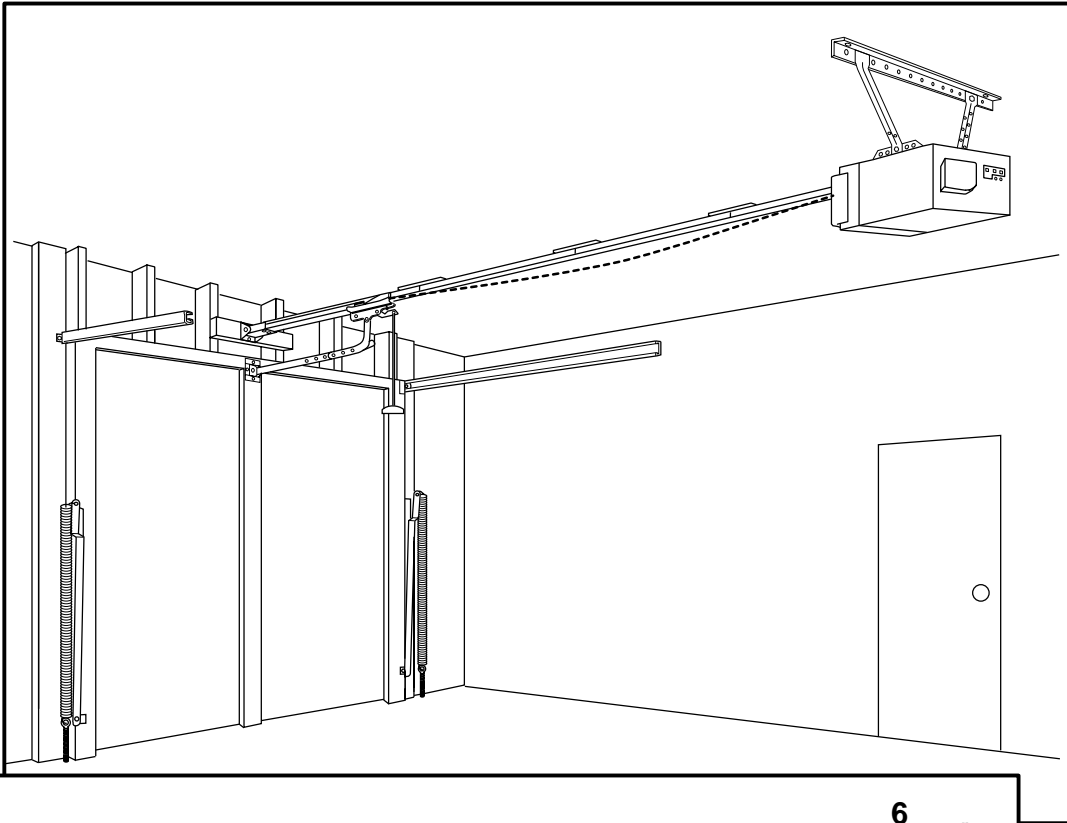
2



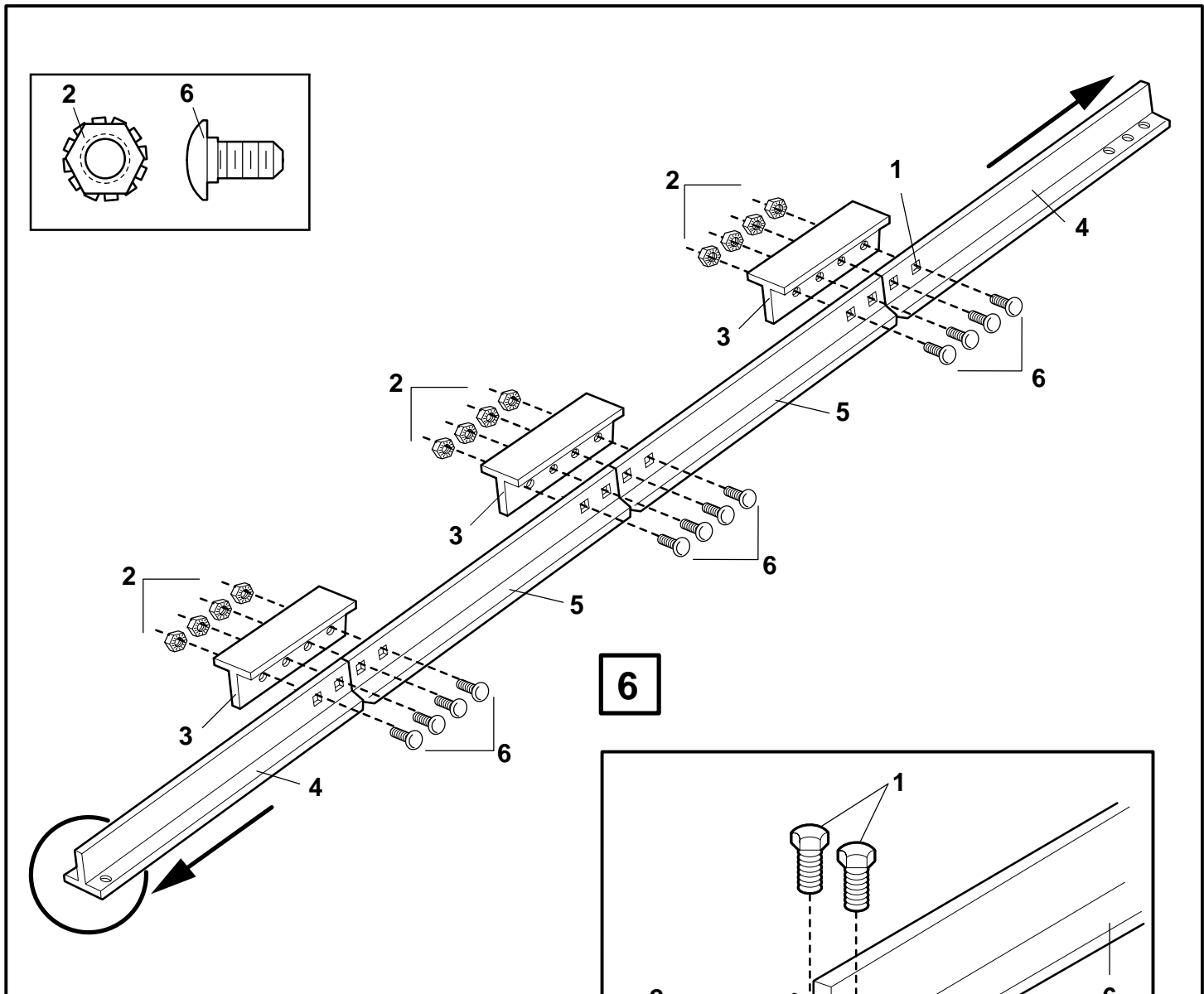
3



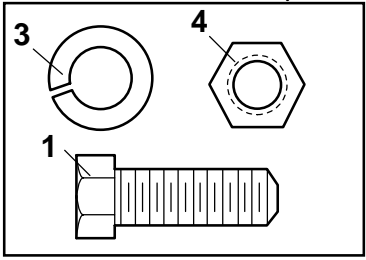
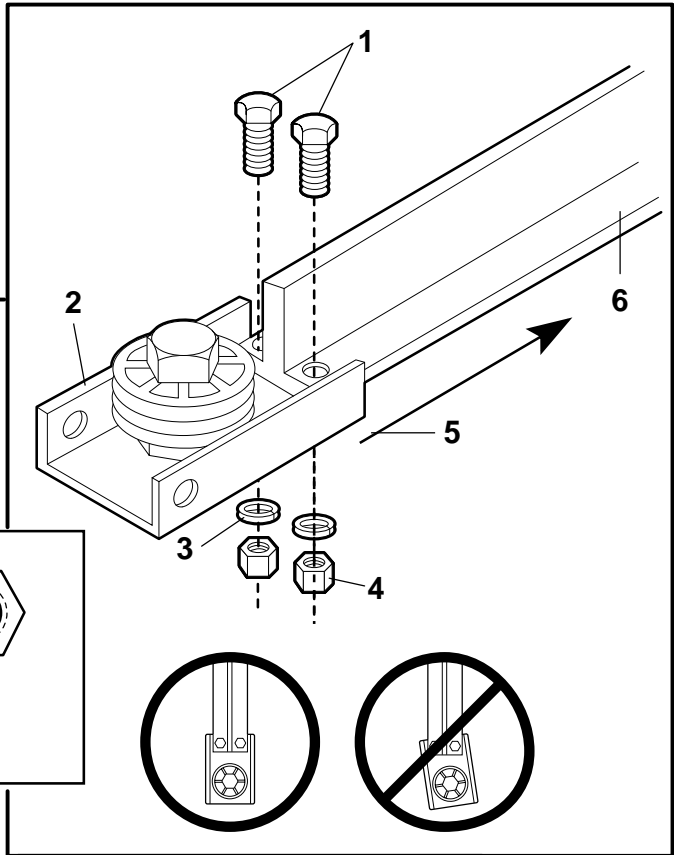
4



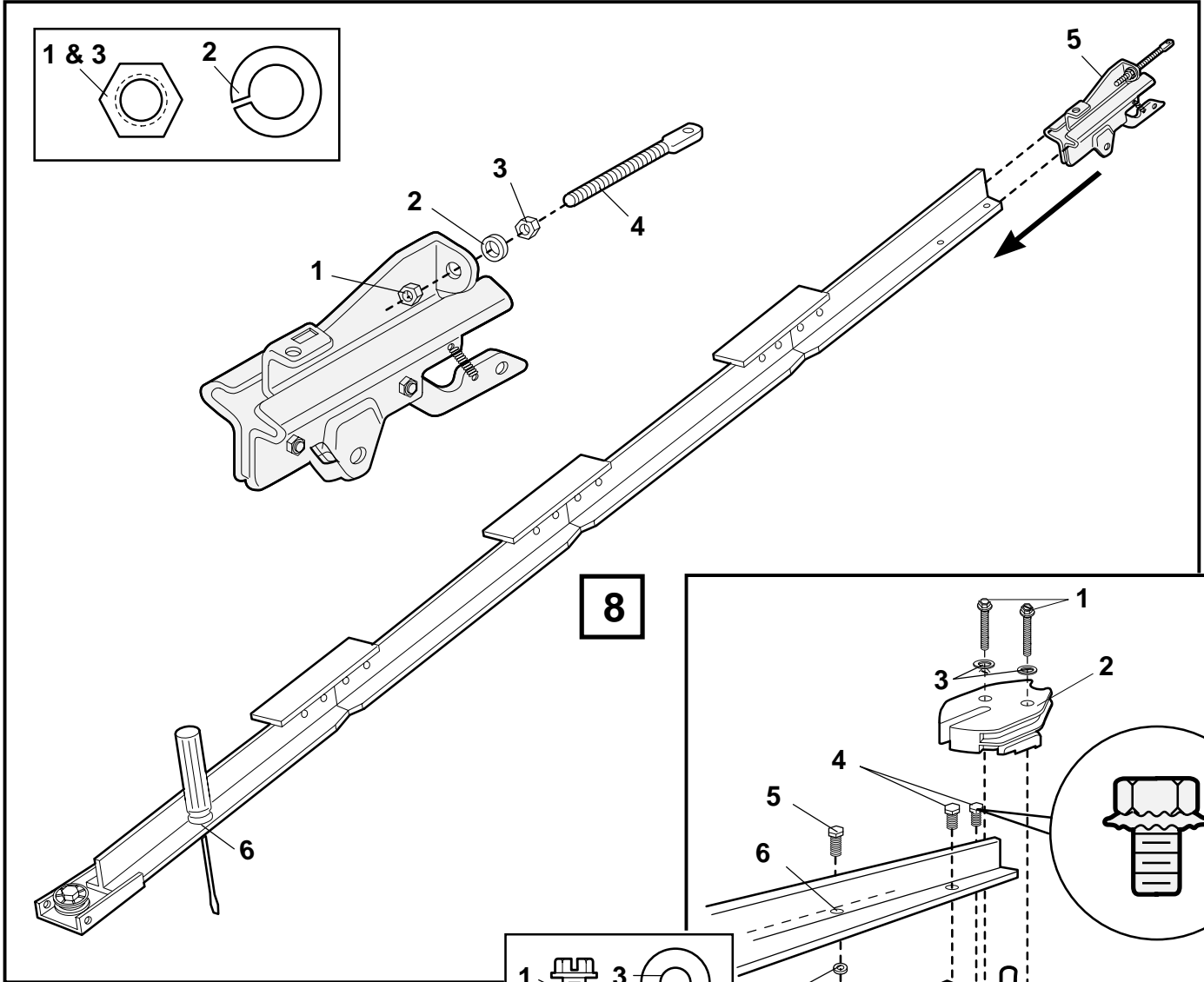
5



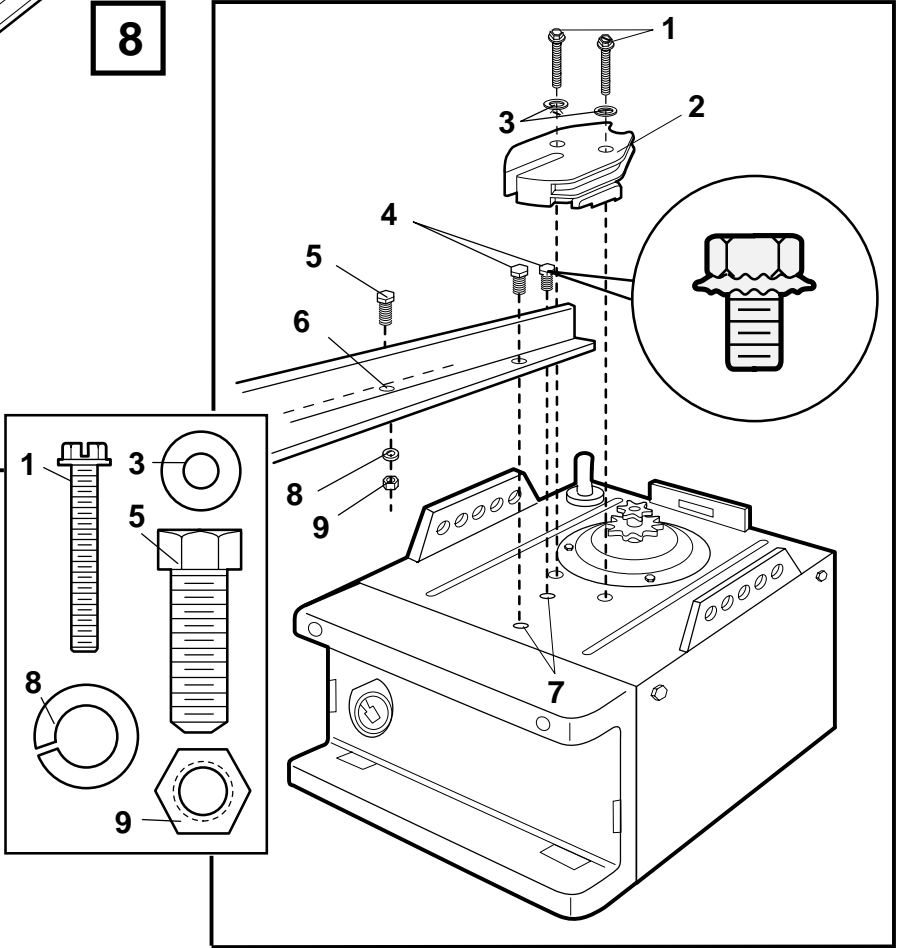
6



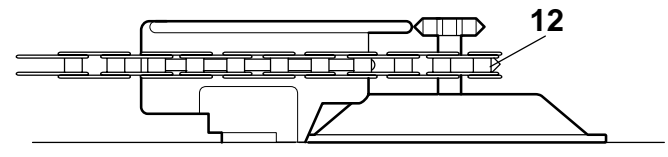
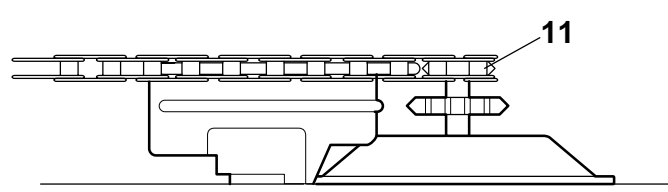
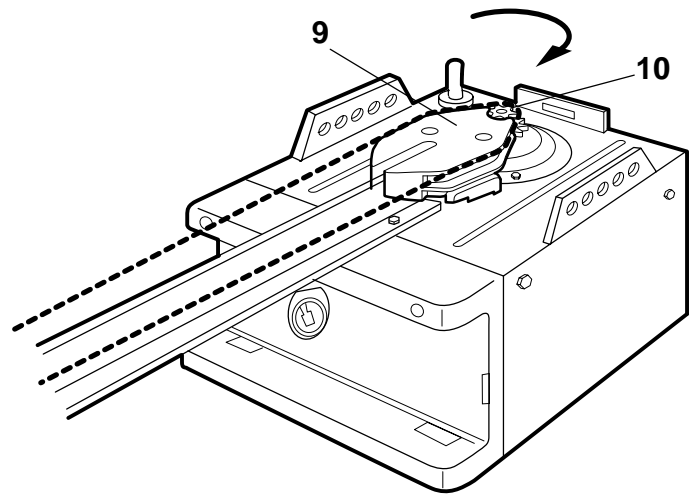
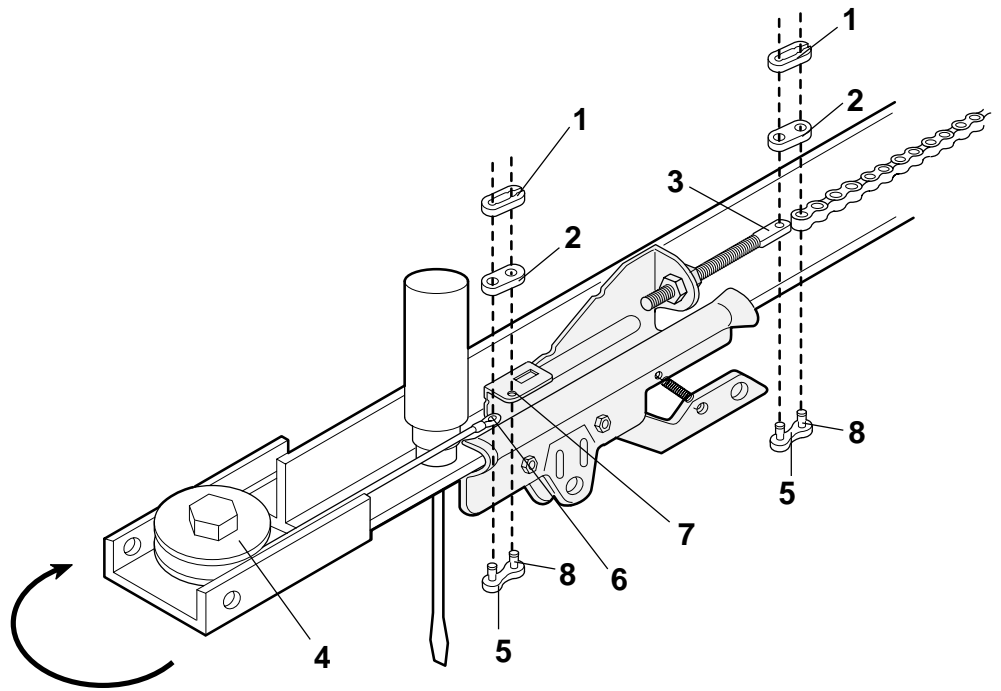
7



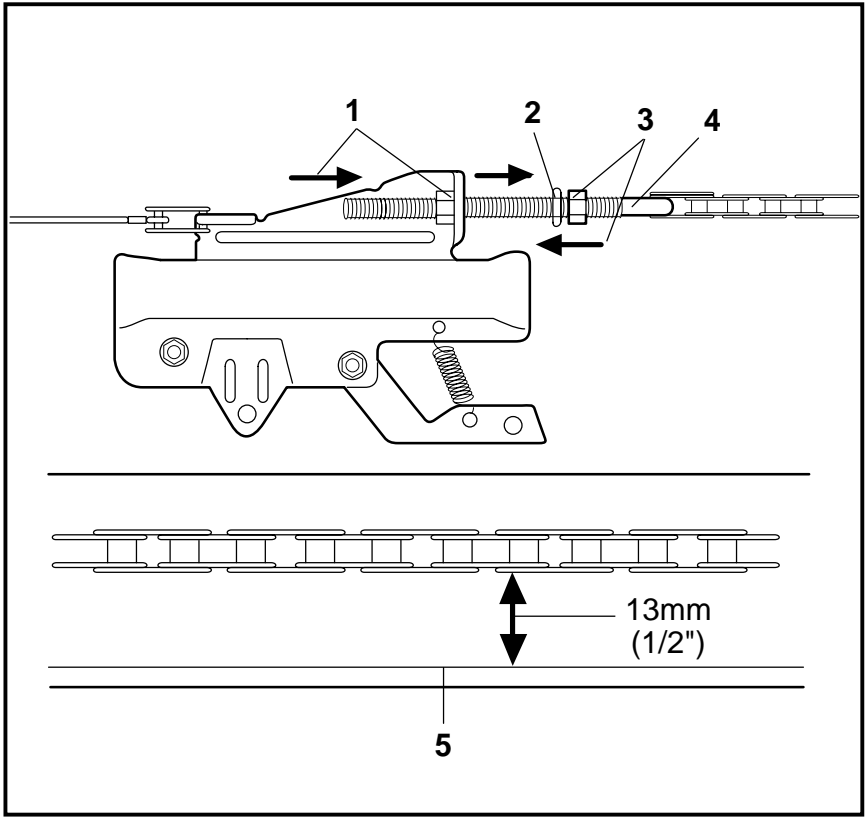
8



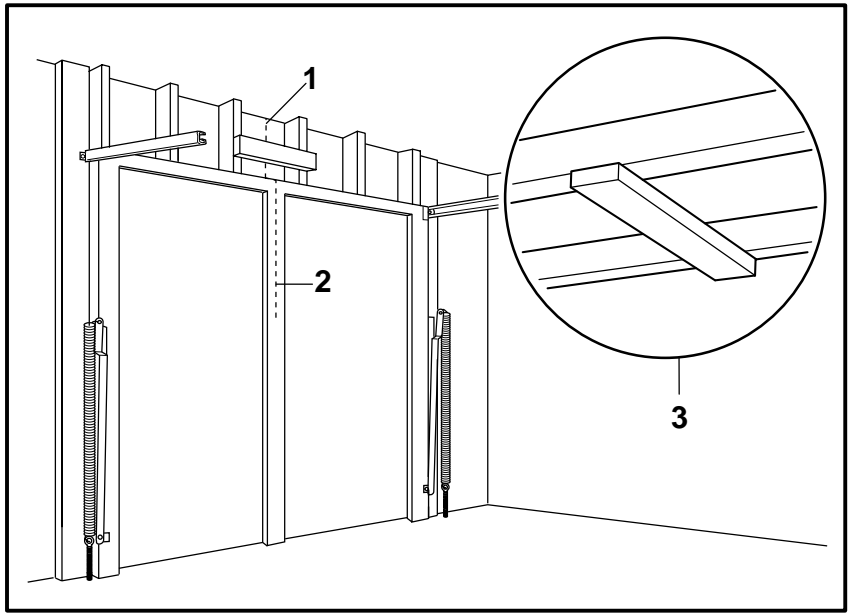
9



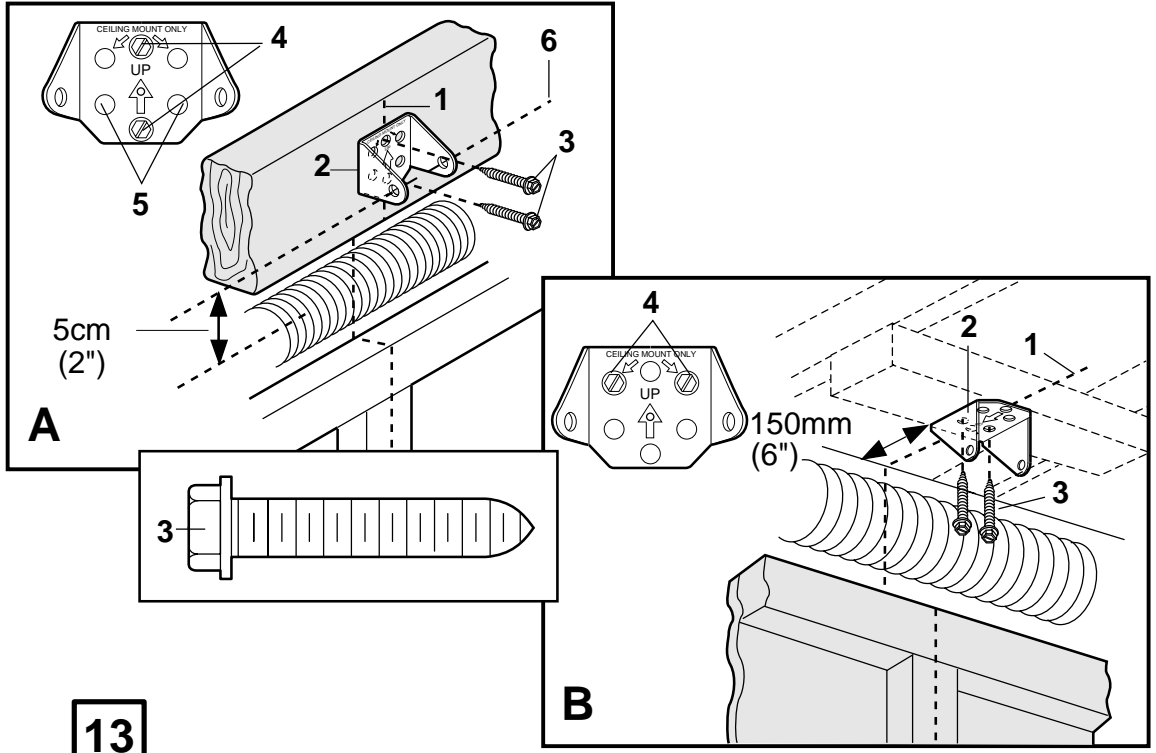
10



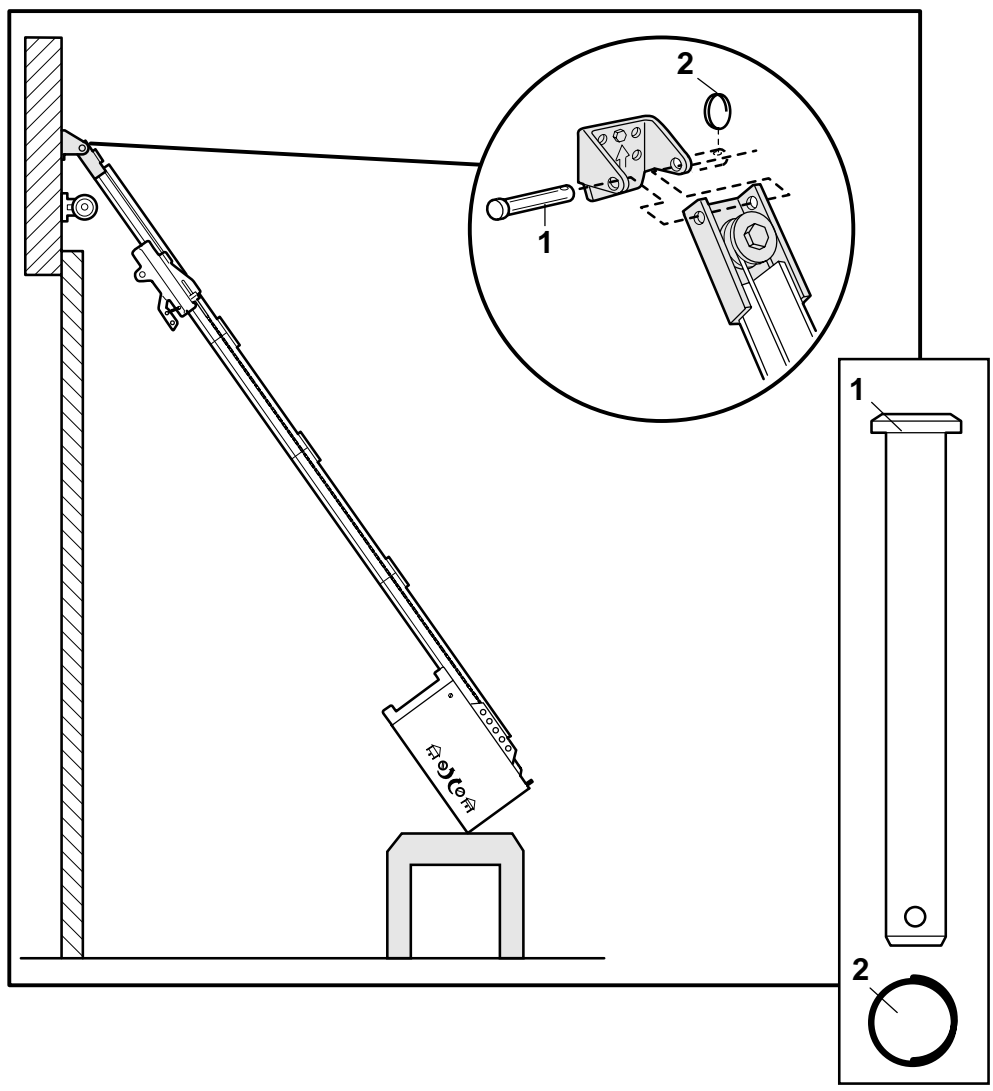
11



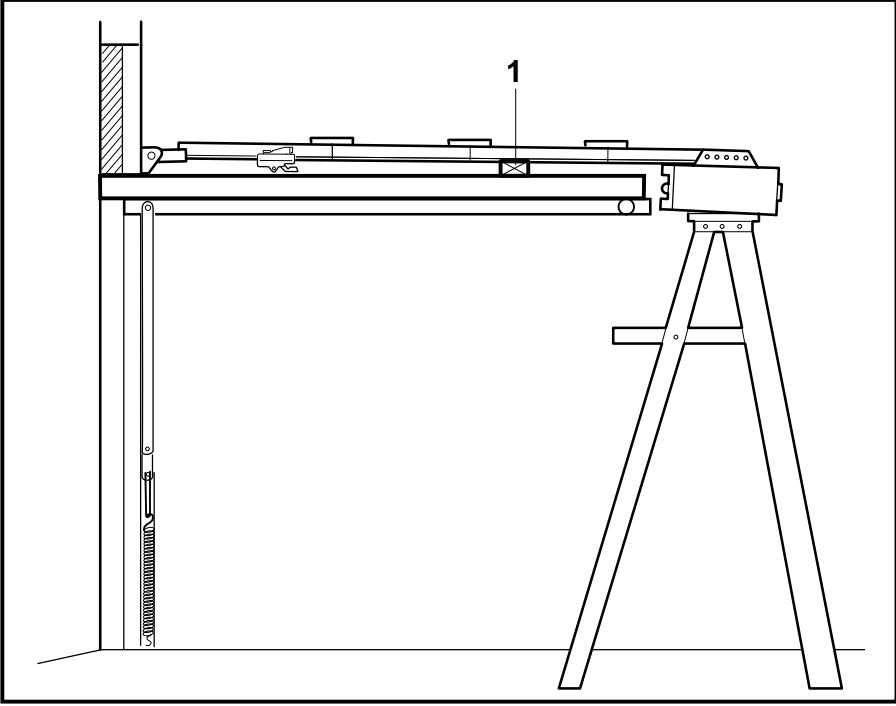
12



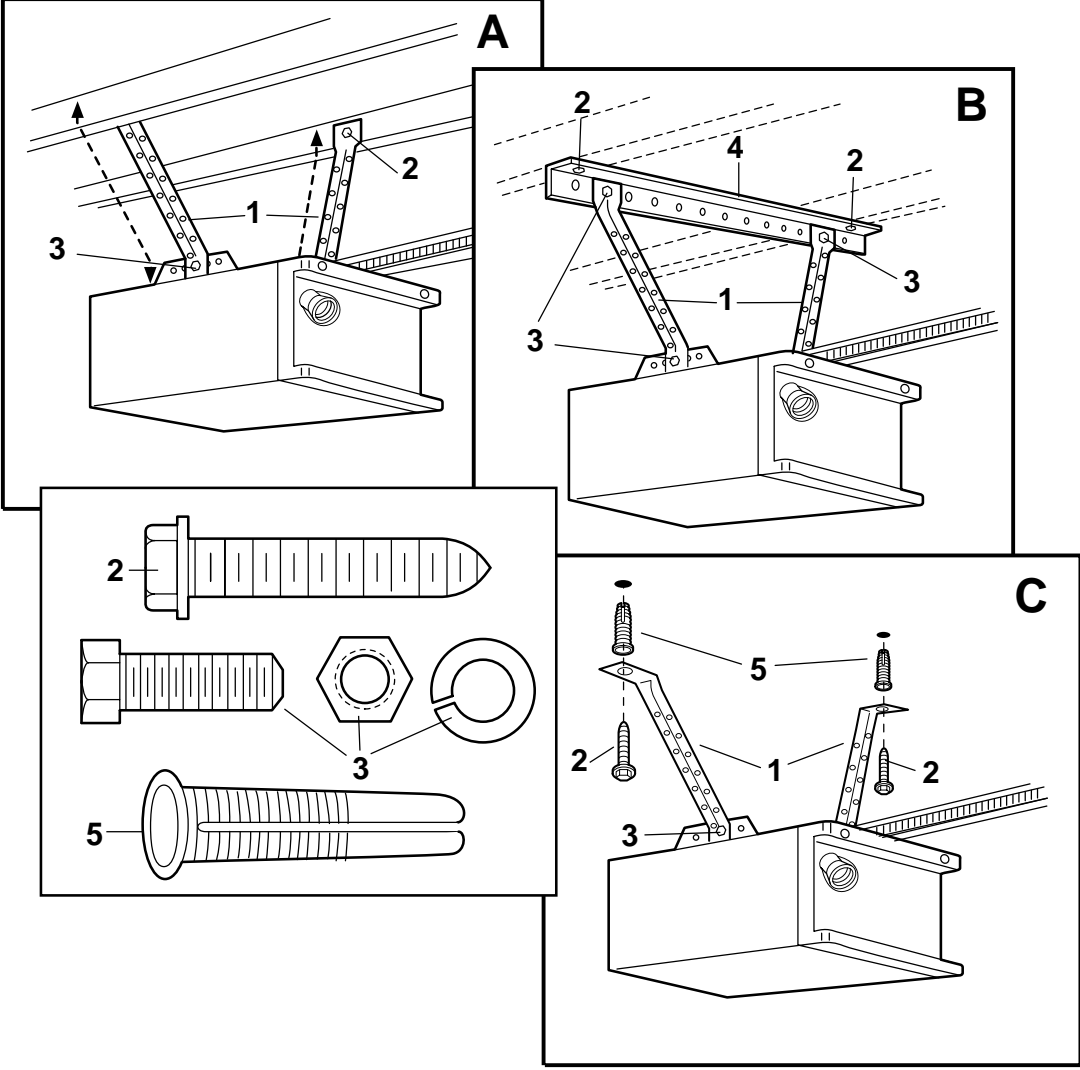
13

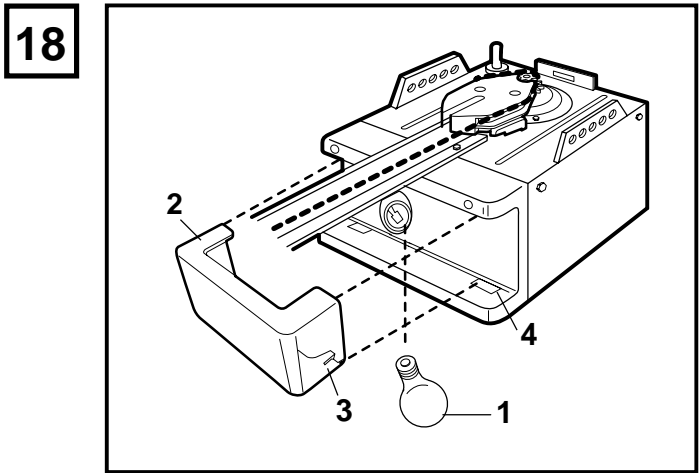
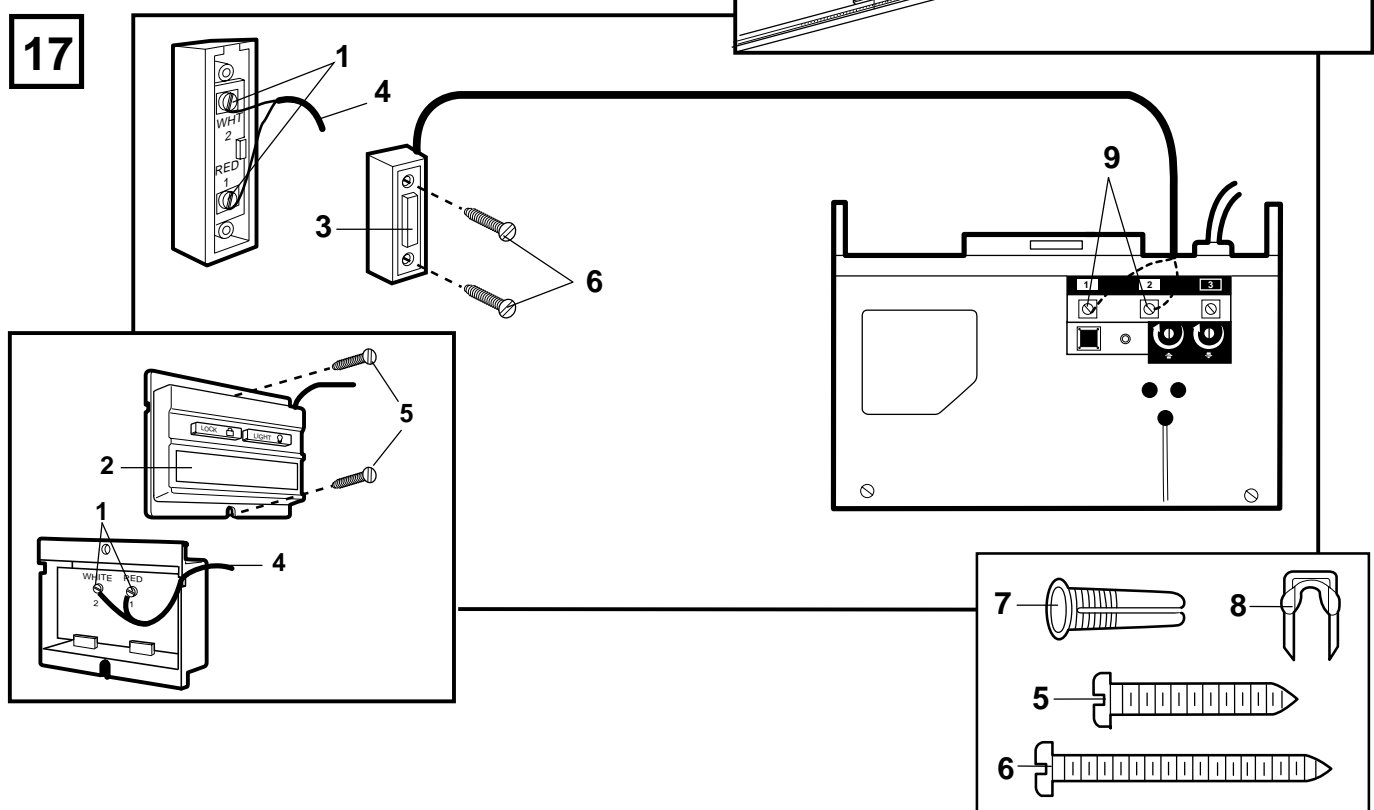
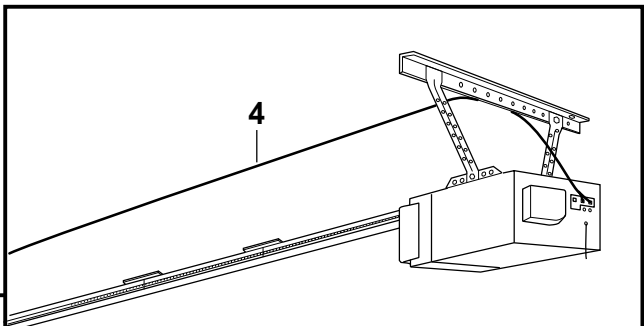
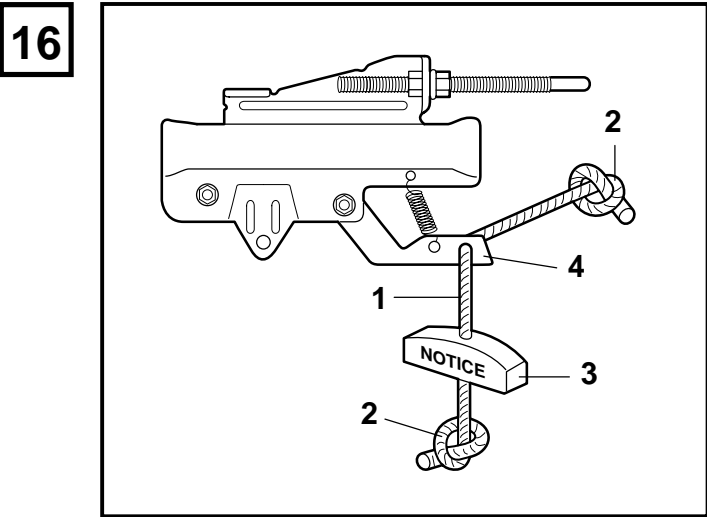


14

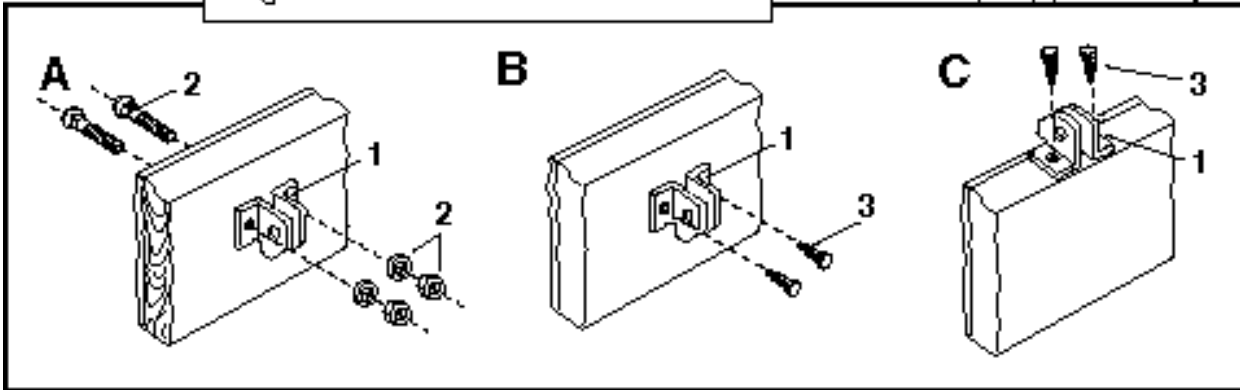
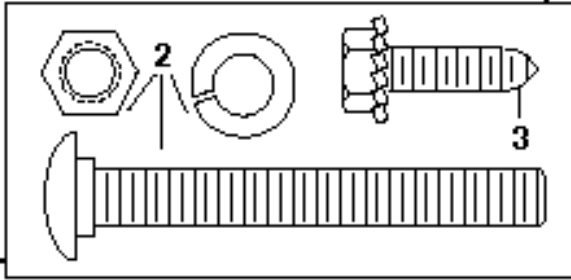
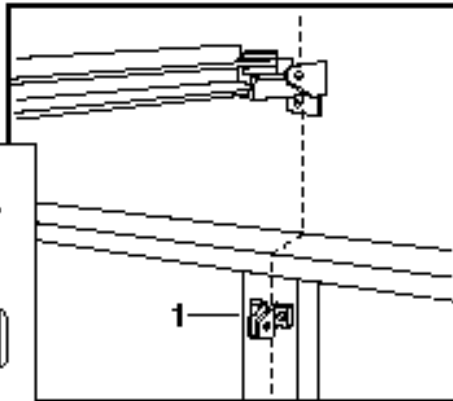


15

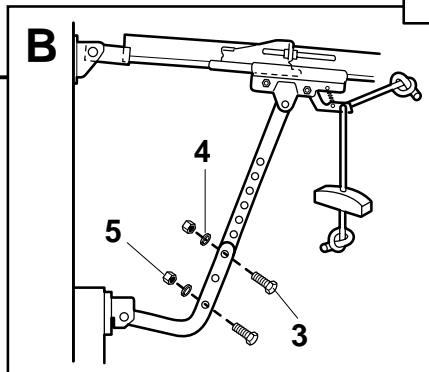
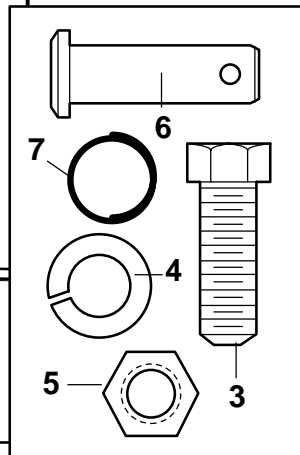
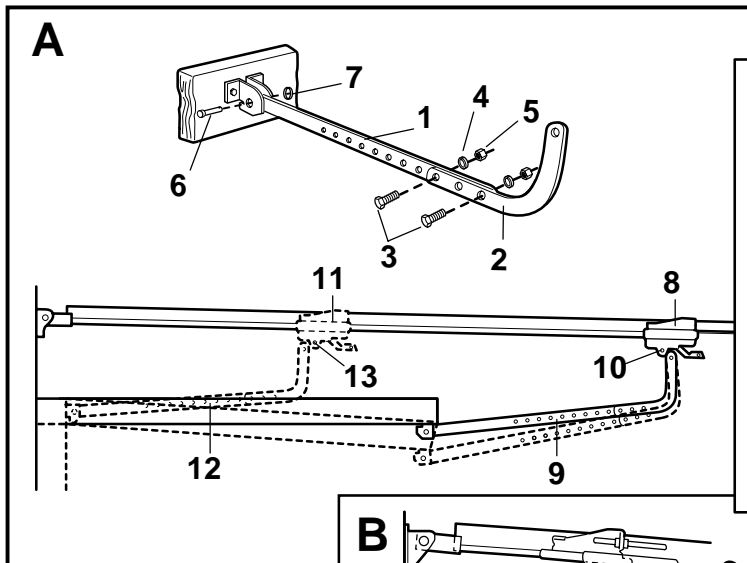




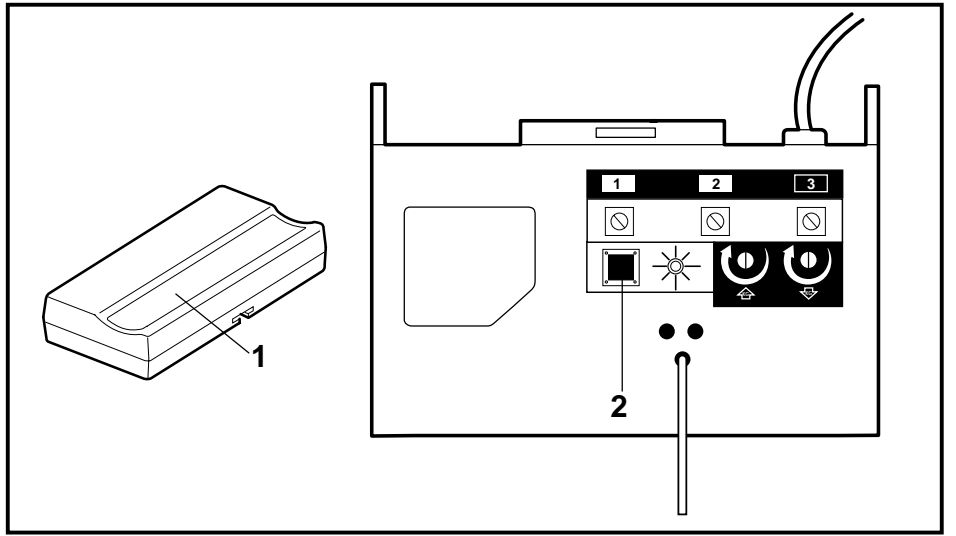
19



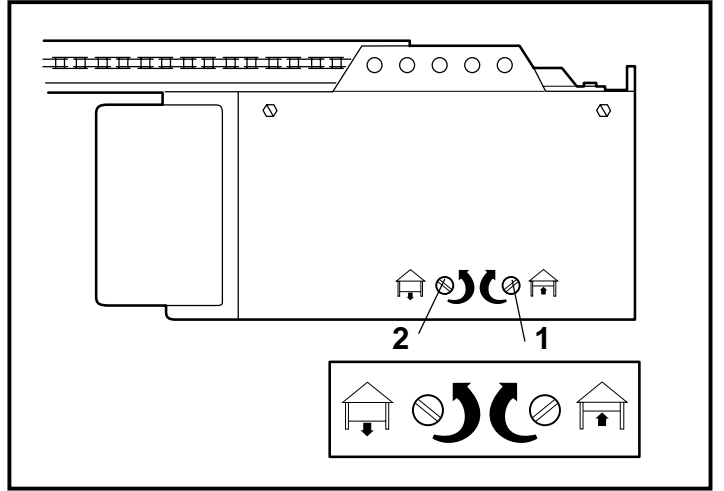
20



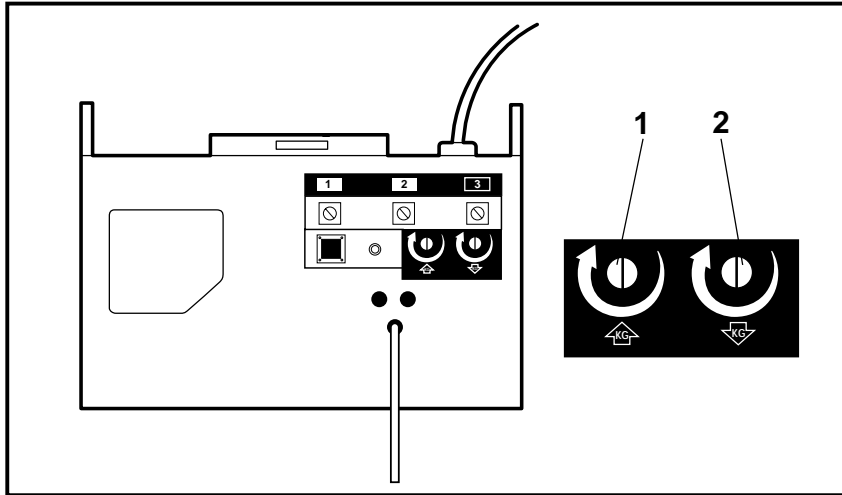
21



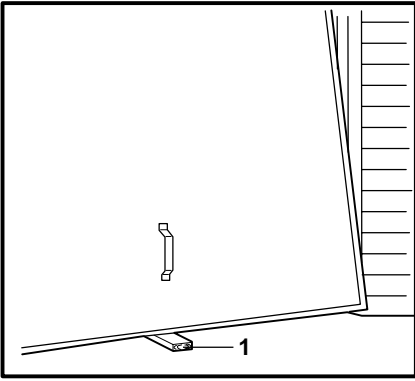
22



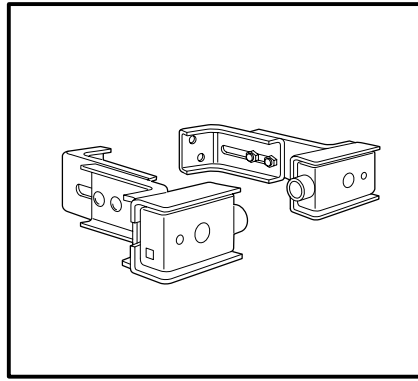
23



24



25



26

