

PRODUCT TECHNICAL DATASHEET

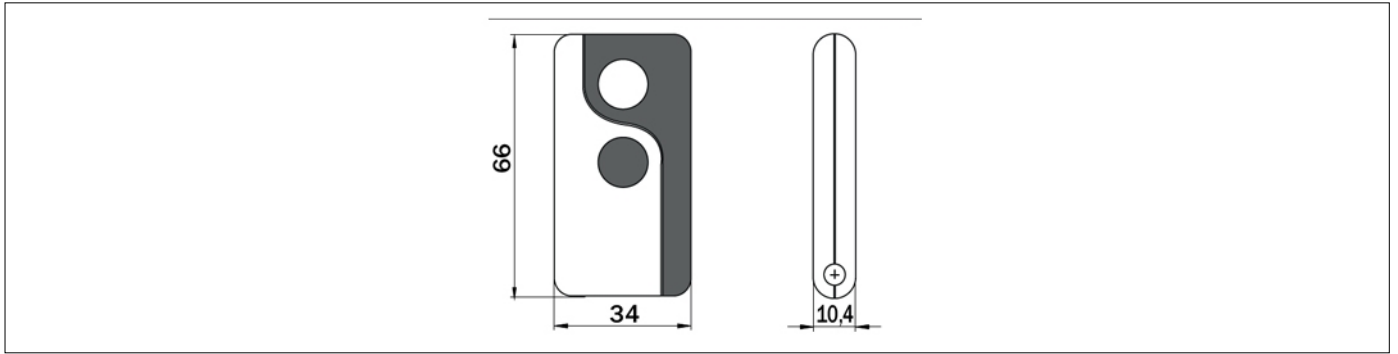
SYNUS/2



| CODE | DESCRIPTION | PCS/PALLET |
|---------|---|------------|
| SYNUS/2 | Dual code transmitter (modality fixed code or rolling code), 433,92 Mhz. 2 channels, with radio for copy. | 10 |

| PRODUCT TECHNICAL SPECIFICATIONS | |
|---|--|
| Standard power | 3V DC |
| Absorption | 8mA |
| Operating temperature | -10+55 °C |
| Number of channels | 2 |
| Codification | Fix code or Rolling Code |
| Modulation | AM/ASK |
| Carried frequency | 433.92MHz |
| Number of combinations | 65.536 (Fix code) - 4.294.967.296 (Rolling code) |
| Types of fixed codes clonable | MANCHESTER,PCM, Max.64bit |
| Number of bits of the identification code | 16 (Fix code) - 32 (Rolling code) |
| Number of bits transmitted | 28 (Fix code) - 144 (Rolling code) |
| Radio for copy | Yes (only fixed code) |
| Maximum distance in open field | 150m |
| Battery | Mod "CR2032" 3V |
| Maximum dimension product in mm (L x W x H) | 38 x 68 x 11 |
| Product weight packed (Kg) | 0,04 |
| Number items per pallet/box | 10 |

PRODUCT DIMENSIONS AND PREPARING FOR INSTALLATION



DIMENSIONS