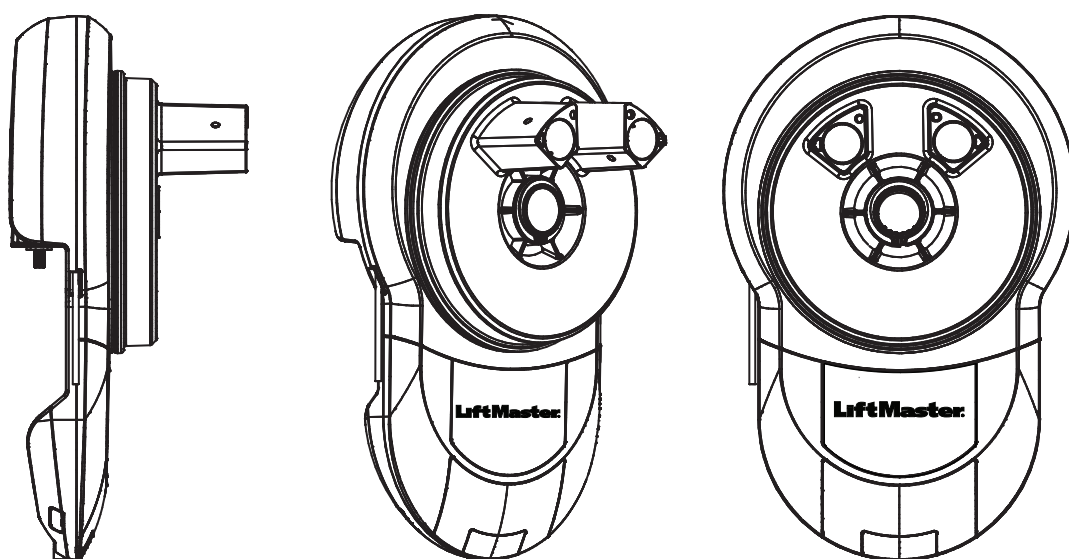


LiftMaster®



LM750EVGB

Rolling Garage Door Opener

Installation and Operating Instructions

Chamberlain GmbH
Alfred-Nobel-Strasse 4
66793 Saarwellingen
Germany

Keep these instructions
for future reference

www.liftmaster.eu

WARNING!

Start by Reading These Important Safety Instructions

General safety guidelines

Before you begin the installation:

Please read the operating instructions and especially the precautions. Keep the manual for future reference and pass it on to a possible subsequent owner.

The following symbols are placed in front of instructions to avoid personal injury or property damage. Read these instructions carefully.



CAUTION Personal injury or property damage



CAUTION Danger due to electrical current or voltage

Important safety information

- The installer (specialist) must carefully read and understand these instructions before starting any work. Before first use and at least annually a specialist must inspect powered windows, doors and gates regarding their safe condition. Specialist according to EN12635 is, who on the basis of their technical training and experience, has sufficient knowledge in the field of powered windows, doors and gates and moreover is familiar with relevant state occupational safety regulations and generally accepted rules of technology in such an extent that he is also able to assess the safe working condition of powered windows, doors and gates.
- The door should be balanced. Unmoving or stuck doors must be repaired. In an unbalanced state, garage doors, door springs, cables, discs, brackets and rails are under extreme tension, which can lead to serious injury. Do not attempt to loosen, move or realign the door, but contact service centre or a door professional.
- During the installation or maintenance of a door opener, no jewellery, watches or loose clothing should be worn.
- To avoid serious personal injury due to entanglement, remove all cables and chains connected to the door before installing the door opener.
- During installation and electrical connection, the local building and electrical regulations must be observed. ***This device complies with Protection Class 2 and does not require grounding.***
- To avoid damage to very light doors (such as fibre glass, aluminium or steel doors), an appropriate reinforcement should be added. To do so, contact the door manufacturer.
- The automatic safety reverse system should undergo a test. Upon contact with a 50 mm high barrier on the ground, the garage door MUST return. Failure to properly adjust the door opener can result in serious personal injury from a closing garage door. Repeat test once a month and make any needed changes.
- This system must not be installed in damp or wet areas.
- During operation, the gate should not under any circumstances obstruct public passageways.
- To remind all operators of the safe operation, in addition to the illuminated wall switch a warning sign to protect children should be affixed. The warning signs about the risk of trapping should be placed in clearly visible spots.
- Children should be supervised to ensure that they do not play with the device.
- This device is not intended for use by persons (including children) with restricted physical, sensory or mental abilities or lack of experience and/or knowledge, unless they are supervised by a person responsible for their device.
- All barriers / locks are deactivated to avoid damage to the door.
- If necessary, installed control equipment MUST be mounted within sight of the door and out of reach of children. Children should not be allowed to operate the buttons or remote controls. Misuse of the door opener can result in serious injury.
- The door opener should ONLY be used if the operator can see the entire door area and is assured that it is free of obstacles and the door opener is set correctly. No one may pass through the door while it is moving. Children must not be allowed to play in the vicinity of the door.
- Use the manual release only for the separation of the carriage from the drive and – if possible – ONLY with the door closed. Do not use the red handle to push the door up or pull it down.
- Before performing any repairs or removing covers, the door opener should be separated from the electric power supply.
- This product has a transformer with a special power cord. In case of damage this MUST be replaced with an original transformer by a qualified technician.
- Operation of the emergency release can lead to uncontrolled movements of the door, if springs are weak or broken or if the door is unbalanced.
- Mount the release handle of the emergency release at a height less than 1.80 m.

Save these instructions

CONTENTS	PAGE
SAFETY INSTRUCTIONS	1
CARTON INVENTORY	2
TOOLS REQUIRED	2
DOOR REQUIREMENTS	2
CONTROL PANEL	3
PREPARE & TEST THE DOOR . . .	4
PINNING THE DOOR	5
OPERATING MANUAL RELEASE .	5
INSTALLATION PROCEDURE . . .	7
ADJUSTMENT & TESTING	8
INSTALL THE PROTECTOR SYSTEM	10
AUDIBLE BEEP	11
PARTIAL OPENING	11
WIRELESS PROGRAMMING .	12-13
STANDBY MODE (OPTIONAL) . .	14
WIRING	14
OPERATING YOUR OPENER . . .	15
CARE OF YOUR OPENER	15
MAINTAINING YOUR OPENER . .	15
SPECIFICATIONS	15
ACCESSORIES	16
TROUBLESHOOTING	17
DIAGNOSTIC CHART	18
DECLARATION OF CONFORMITY. .	18

These instructions are original operating instructions according to EC Directive 2006/42/EC.

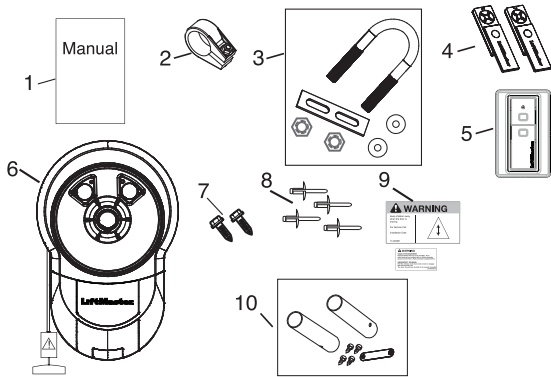
Please read through all of the instructions carefully, as they contain important information about the product.

Please pay attention to and follow the instructions provided, particularly the safety instructions and warnings.

Keep these instructions in a safe place for later reference.

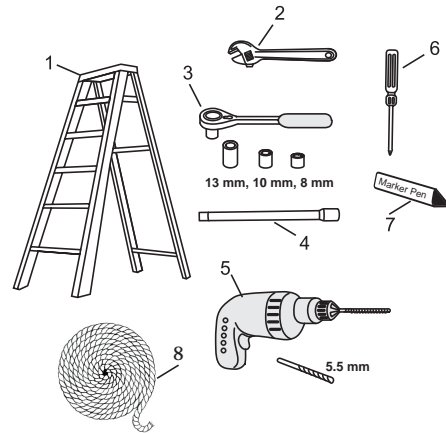
1 CARTON INVENTORY

1. Instruction manual (this document)
2. Stop collar
3. Clamp bracket, plates, washers (2) and nuts (2)
4. TX4EVS Premium transmitter (2)
5. 128EV wireless wall button (1)
6. Opener
7. Self tapping screws (2) (for pinning the door)
8. Rivets (4)
9. Warning label and risk of entrapment label
10. Extension poles (2)



2 TOOLS REQUIRED

1. Ladder
2. Adjustable wrench for U-bolts already installed on the door
3. 8 mm socket, 10 mm socket and 13 mm extended socket and socket wrench
4. 300 mm socket extension (for minimum side-room installations)
5. Drill and 5.5 mm drill bit
6. Philips-head screwdriver
7. Marker pen
8. Rope
9. Door stand (not shown)

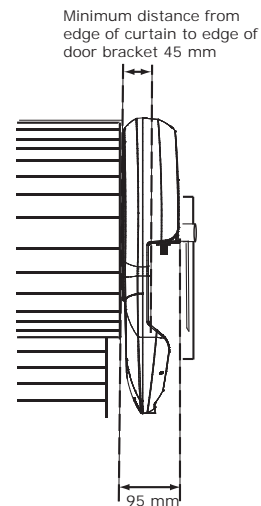


3 DOOR REQUIREMENTS

The LM750EVGB is suitable for spring balanced Residential single skin rolling garage doors with:

- Maximum door height of 4.5 m
- Maximum curtain area of 18 m²
- Maximum door mass of 120 kg

Door axle diameter must not exceed 35 mm.



Ensure that there is at least 45 mm from the edge of the curtain to the edge of the bracket. If the roller door drum wheel is on the edge of the curtain or is a smaller diameter, additional clearance may be required.

Assemble the opener to the door axle and the existing door bracket using the U clamp assembly provided. Tighten to 25-28 Nm. Full installation process is in section 13.

Intended use:

The garage door operator is intended exclusively for the impulse operation of spring-compensated residential/non-commercial sector single skin rolling Garage door. Note the manufacturers specifications regarding the door and operator combination. The door must meet mechanical requirements according EN 12604.

4 CONTROL PANEL

1. **Terminal Block:** used for external accessories (see chart below).

Ref	Function	Colour	Polarity	Comment
5	Push button	Red	+ve	Dry contact input for push button wired wall controls
4	Common	White	-ve	Common terminal for push button, obstruction detection beams & accessory power
3	Common	White	-ve	Common terminal for push button, obstruction detection beam & accessory power
2	Obstruction Detection Beams	Grey	+ve	Obstruction detection beam Input (pulsing type only) - see section 18
1	Accessory Power	Green	+ve	24v dc 50 mA accessory output available for a universal receiver (output not active in Standby Mode)

NOTE: The terminal block is behind a plastic cover in the back housing. Use a small screwdriver to lever open the plastic cover if access to the terminal block is required. All wires should be secured appropriately.

2. **DN Button:** used to drive the door DOWN

3. **UP Button:** used to drive the door UP

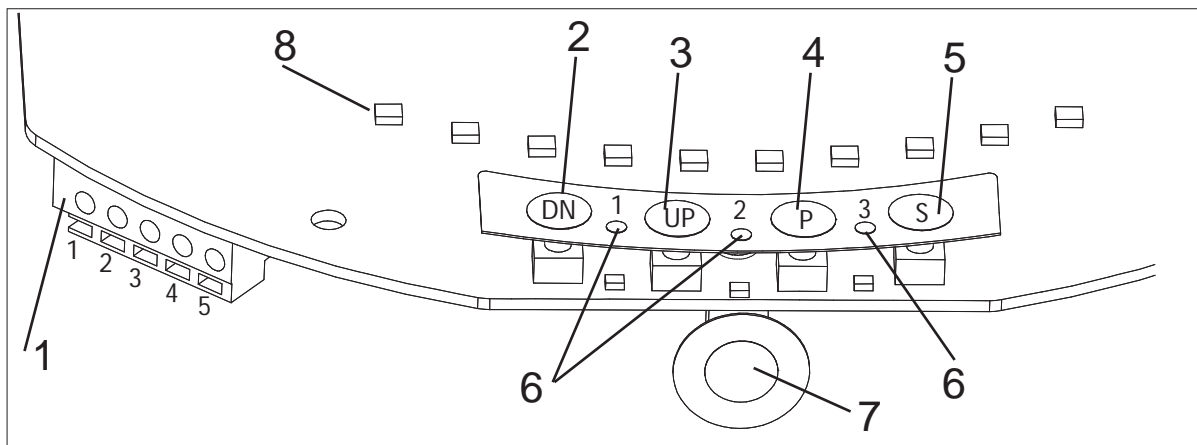
4. **P Button:** used to “PROGRAM” the DOOR LIMITS (see section 14)

5. **S Button:** used to “SAVE” and “DELETE” the “REMOTE CONTROLS” (see section 21)

6. **LEDs:** 1. Program DOWN, and Diagnostic code indicator Number 1
2. Program UP indicator
3. Diagnostic code indicator Number 2

7. **Control Button:** Used to activate the door when remote controls are not available. Open - Stop - Close.

8. **Courtesy Light:** turns on during operation and automatically turns off after a period of 3 minutes

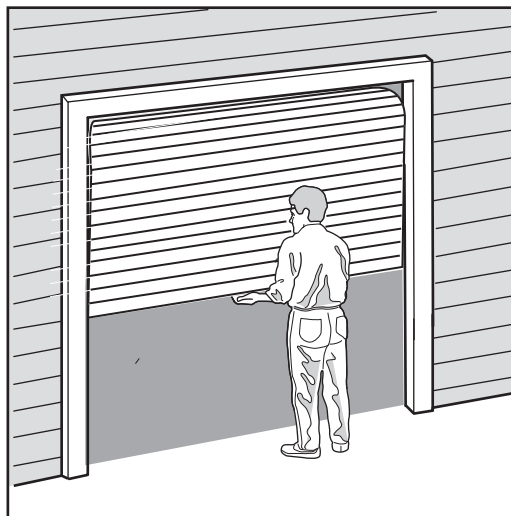


5 TESTING THE DOOR

Complete the following test to ensure your door is well balanced, and not sticking or binding:

- Disable all locks and remove any ropes connected to the garage door.
- Lift the door to about halfway and then release it. The door should remain spring balanced.
- Raise and lower the door to determine if there are any sticking or binding points (20 kg is the absolute maximum allowable to raise or lower the door in any position).

If your door does not hold in place or the door binds or sticks, call a qualified door technician before installing the opener.



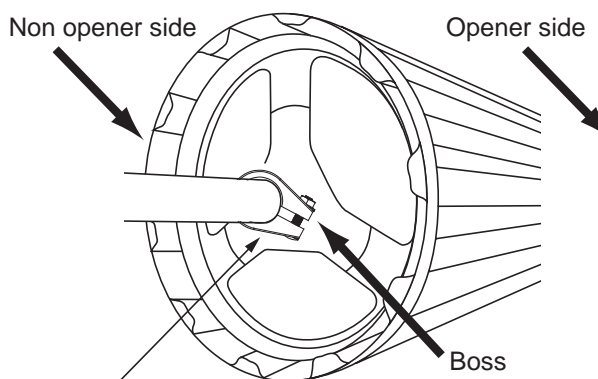
6 ATTACHING THE STOP COLLAR

- The stop collar is required to be installed on the opposite side of the door to where the opener is to be installed.

- Ensure the U-Bolt holding the door shaft to the door bracket is tightly secure.

(NOTE: This U-Bolt must not be removed or loosened)

- Remove the bolt assembly from the plastic stop collar. Open the collar as wide as possible and push it onto the door shaft.
- Fit the stop collar hard against the boss of the door drum. Reinstall the bolt assembly onto the stop collar and tighten.



SAFETY CHECK!

Is the stop collar installed?
YES: proceed to the next step

NO: install the stop collar before proceeding

7 ATTACHING THE WEIGHT BAR (OPTIONAL*)

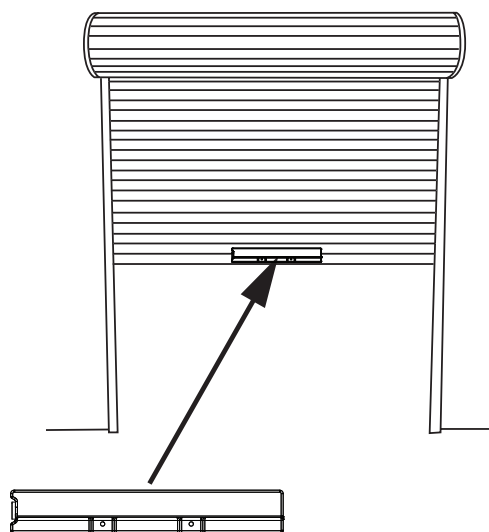
If the door has a lifting handle, remove the handle, nuts & bolts. Place the weight bar over the handle holes, insert the extended bolts through the weight bar & fasten the handle back in place.

- Place the weight bar in the centre of the door as shown.

If the door curtain does not have a handle you will need to follow these instructions:

- Use a marker pen to mark the two hole positions.
- Drill two 5.5 mm holes through the two marked positions, then place the weight bar on the inside of the door.
- Use the bolts, washers and nuts (provided) to fasten the weight bar in place.

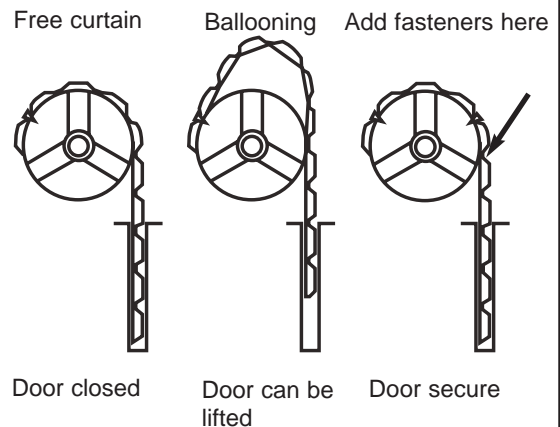
*(Not supplied with the opener. Please refer to your door supplier.)



8 PINNING THE DOOR

Note: A ballooning door may delay the safety reversal response and can compromise garage door security.

- To remedy any ballooning, insert the supplied self tapping metal screws into where the curtain leaves the roll. Secure these through the curtain into the drum wheel at each end of the roll.
- After determining the correct fastener location as shown, lift the door approximately half a turn from the closed position to allow access for securing the screws.



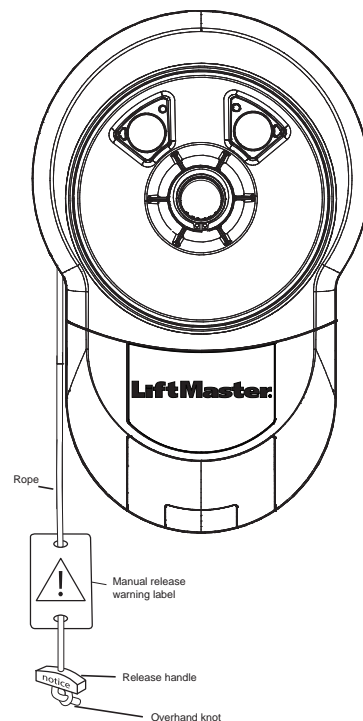
9 THE RELEASE HANDLE & CORD



Do not disengage the opener to manual operation with children, persons or other objects including motor vehicles within the doorway. The door is under significant tension and if the door has developed a fault or incorrect tension, it may be unsafe and may fall rapidly.

The manual release mechanism enables the door to be manually operated during power outages or in an emergency.

The RED Manual Release cord is preassembled to the opener. When the opener is installed the handle should be no higher than 1.8 metres from the floor. The cord may need to be extended for high door installations.



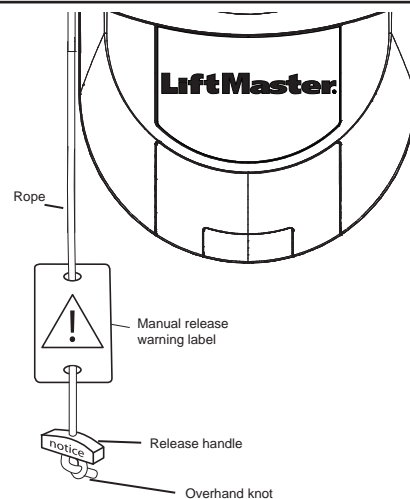
10 OPERATING THE MANUAL RELEASE

To disengage the opener

Pull the release cord down firmly, (the opener will make a clicking noise).

To re-engage the opener

Pull the release cord down firmly, (the opener will make a clicking noise).

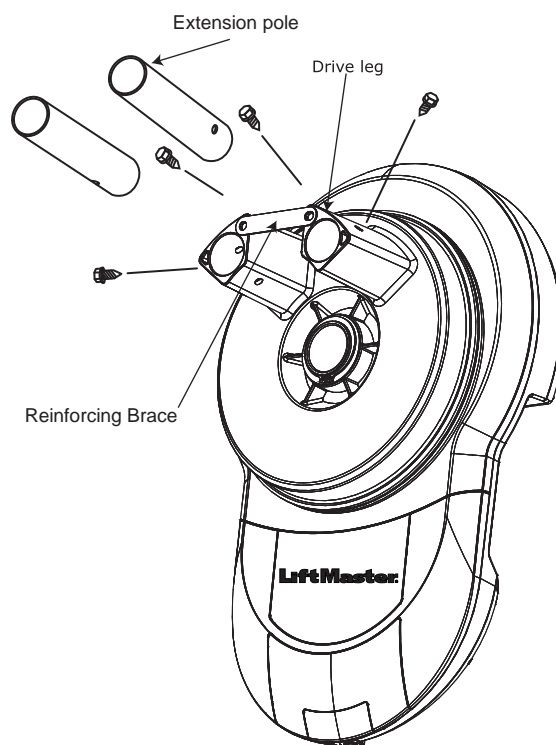


Disable all locks and remove any ropes connected to the garage door.

Take care when operating the manual release as an open door may fall rapidly due to weak or broken springs, or being out of balance.

11 ATTACHING EXTENSION POLES (IF REQUIRED)

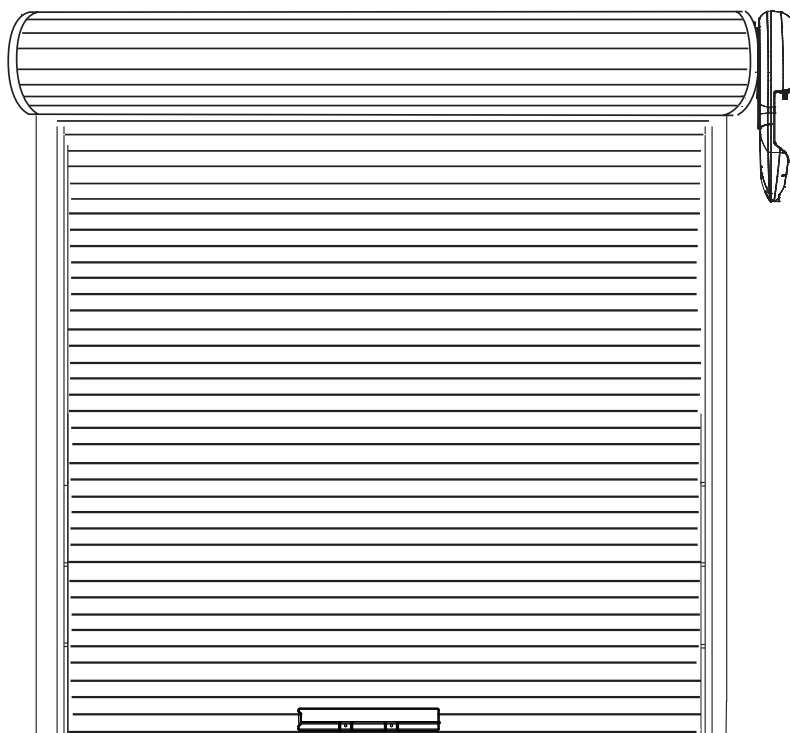
- Insert the extension poles into the drive legs.
- Align the holes on the extension poles with the holes on the drive legs
- Using the screws provided, secure the extension poles
- Align the holes of the reinforcing brace with the two holes on the end of the drive legs as shown and fix in place using the screws provided. Please note that the reinforcing brace **MUST** be applied.



Reinforcing brace must be used.

12 LEFT / RIGHT HAND INSTALLATION

LEFT
(handing must be changed during limit setting - refer to section 14)



RIGHT
(factory default setting)

Inside garage looking out

13 INSTALLATION PROCEDURE



Do not allow people to walk under or around the door during the installation process as serious injury can occur.

NOTE: The opener can be installed on either side of the door. The following instructions are for **RIGHT HAND INSTALLATIONS** (as illustrated i.e. inside the garage looking out). For left hand installations, reverse the instruction terminology (eg LEFT for RIGHT etc).

Preparation:

- Place the opener in manual release mode (refer to section 10)
- Completely open the roller door. For safety, tie a rope around the door
- Ensure the door axle U-BOLT and door mounting bracket on the left hand side (non opener side) are securely fastened
- Support the door with a door stand, ladder or similar device to safely support the door
- Mark the position of the door shaft on the right hand door bracket (for reassembly purposes)
- While the door is supported, remove the right hand axle U-Bolt and door mounting bracket from the wall

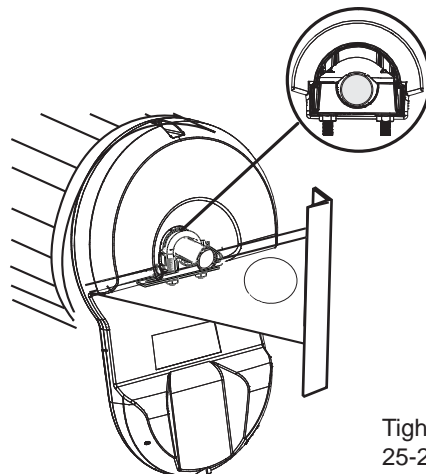
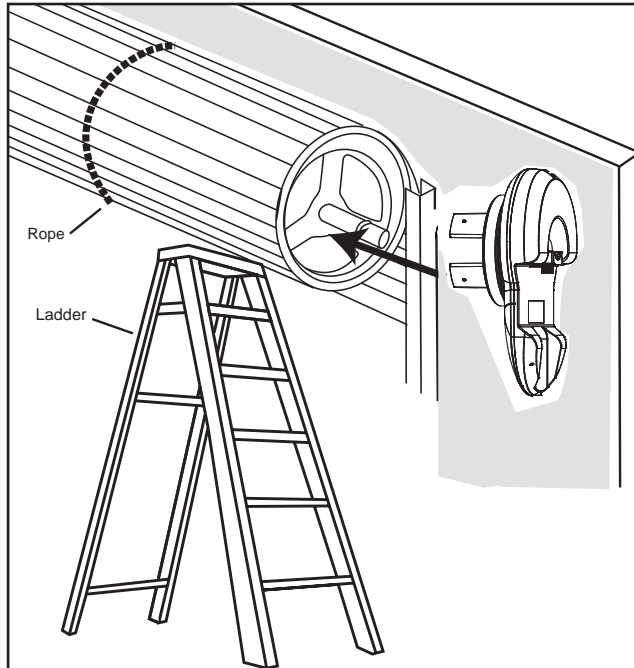
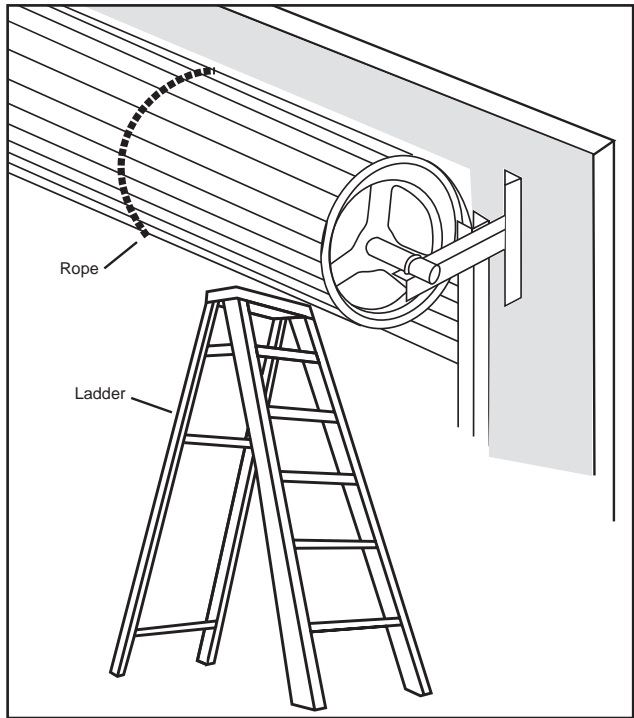
Install the opener:

- Slide the opener over the door axle and engage the drive legs into the door drum wheel, either side of a spoke
- Refit the door mounting bracket to the wall
- Clamp the opener on the door axle and door bracket in the marked position using the clamp assembly supplied (tighten to 25 – 28 Nm)
- Remove all ropes and the support stand
- Check the operation of the door in manual mode by raising and lowering by hand. It should operate smoothly without sticking or binding. The disengage handle should already be attached less than 1.8m above the floor



Connect the power:

- Position the power cable away from the door curtain and any moving parts
- Plug the opener into a nearby power point and turn ON
- The opener light will turn ON and remain ON for 3 minutes



14 SETTING THE LIMITS FOR RIGHT OR LEFT HAND OPERATION AND FORCE

Travel limits set how far your door goes up and down. Your opener must also be configured for right or left hand installation. If not the door will rotate in the reverse direction.

Program Buttons: The Control Panel diagram in section 4 identifies the Control Buttons and LED layout

Audible BEEP: An audible "BEEP" also occurs with each button press. This feature can be turned OFF

Courtesy light: During the programming sequence, the courtesy light will flash at half strength

NOTE: The LM750EVGB opener is factory configured for right hand installation.



The opener will operate during this procedure. Make sure the door is clear of obstruction. Ensure your hands are away from any moving parts before activating the door.

Setting the Right or Left Hand Operation:

Refer to the diagrams on the right for guidance. Ensure the door is positioned halfway and the opener is engaged (out of manual mode). Turn the opener Power **ON**, the courtesy light will turn ON.

1. Press the "P" button for 5 seconds until LED 3 will flash, as well as LED 2 or LED 1 will flash. For Right Hand setting LED 2 will flash, and for Left Hand setting LED 1 will flash.
2. To change to the opposite setting, simply press the "S" button, and the opposite LED will flash.
3. When the correct hand setting is selected, Press and Release the "P" program button to accept this setting. (continue)

Setting the Door Limits:

4. Press and hold the "UP" button until the door reaches the desired OPEN position (You can toggle between the "UP" and "DN" buttons to move the door to the correct position. Make sure there is enough room for your vehicle to pass under)
5. Press and release the "P" program button to accept this setting.
6. Press and hold the "DN" button until the door reaches the desired CLOSED position (You can toggle between the UP and DN buttons to move the door to the correct position.)
7. Press and release the "P" program button to accept this setting. (LED 2 should flash to indicate you are now in Force Learn mode) (continue)

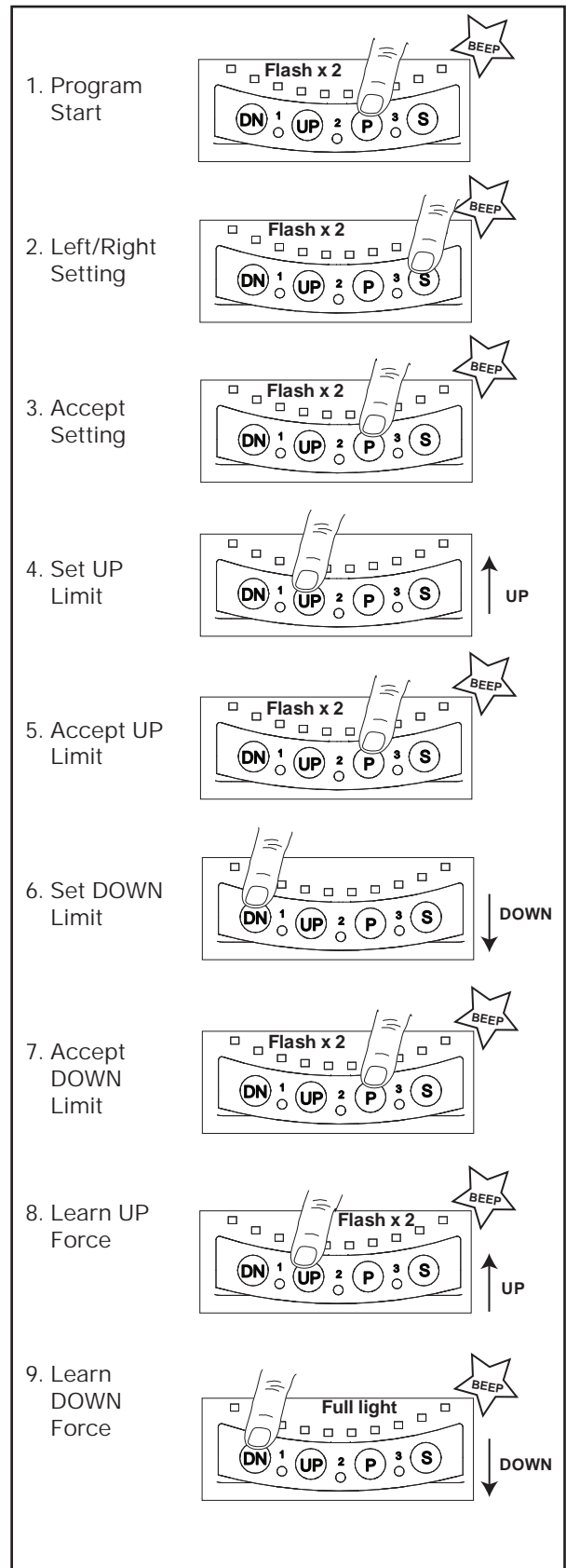
Setting the Force Automatically:

8. Press and release the "UP" button. The door will travel to the OPEN position with LED 2 flashing.
9. Press and release the "DN" button. The door will travel to the CLOSED position with LED 1 flashing. When fully closed, LED 1 will stop flashing and the courtesy light will change to full power. (This process is now complete)

Setting the Force manually: (Only perform if Limits are already set)

- Start with the door fully CLOSED.
- Press the "S" button twice to enter into force learn mode. The Courtesy light will go to half strength, and LED 2 will flash quickly.
- Press and release the "UP" button. The door will travel to the OPEN position, then LED 2 will flash quickly.
- Press and release the "DN" button. The door will travel to the CLOSED position, then LED 1 will stop and the courtesy light will change to full power.

This process is now complete.

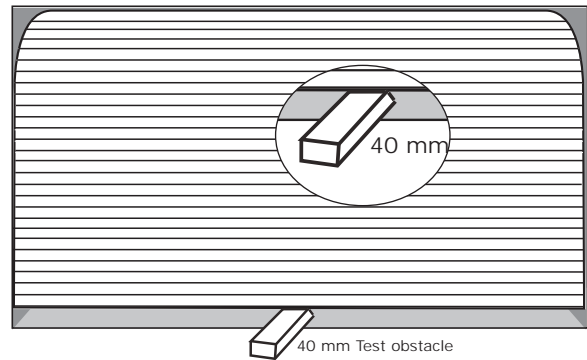


15 TESTING THE SAFETY REVERSE SYSTEM

! After installing the operator on the door, the force measurement of the operator must be checked according to EN13241/EN12543 with a force measurement device and an obstacle detection test must be performed.

Operate the door in the down direction. The door must reverse upon contact with the obstacle. If the door stops on the obstacle, remove obstacle and repeat limit and force setting (refer to section 14).

Repeat the safety reverse system test.



16 FIXING WARNING LABELS

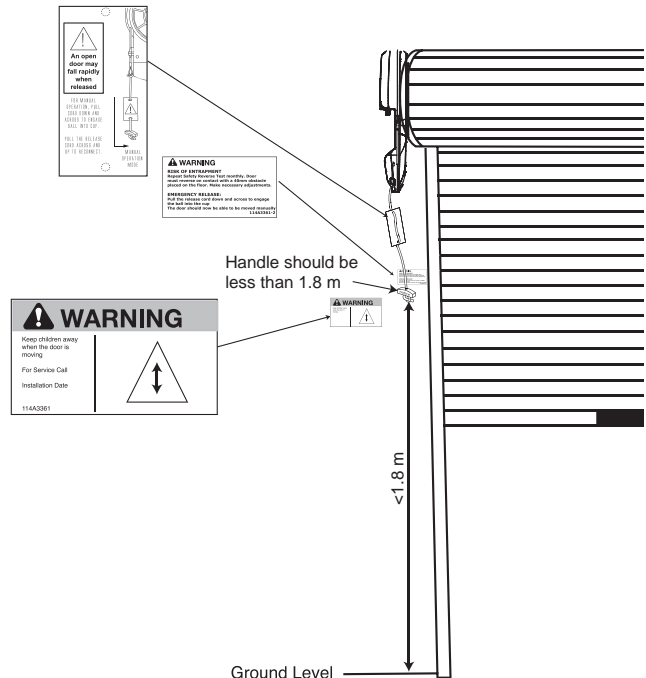
Once you have completed your installation and successfully carried out the safety reverse system test (outlined above), install the warning labels provided with your opener as shown.

The **risk of entrapment label** must be installed adjacent to the release handle at a height of less than 1.8 m from the floor.

The **WARNING** label must be installed in a prominent place near any fixed control.

Any fixed wall control or wireless door control must be mounted at a height of no less than 1.5 m **out of the reach of children**.

Read the safety instructions (page 1) for further details concerning safety.



17 INSTALLING YOUR 128EV WIRELESS WALL BUTTON

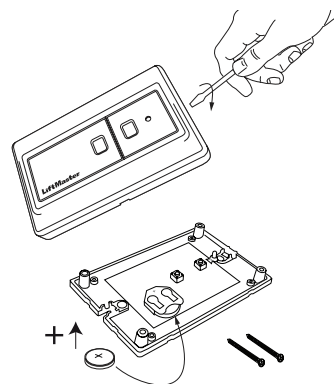
! **Disconnect power to the opener whilst installing this accessory to prevent accidental activation. Locate minimum 1.5 m above the floor**

To install:

- Carefully pry open the 128EV and locate the two screws for mounting.
- Attach to the wall using the two screws and wall anchors provided if mounting to a plaster wall. If using a recessed wall box do not use anchors.

NOTE: Do not overtighten screws.

NOTE: The wall control supplied with your opener should be pre-programmed by the factory. If adding a new wall control, program into the opener before mounting the unit as detailed in the "Wireless Programming" in section 21.



STANDARD INSTALLATION COMPLETE

18 INSTALL THE OBSTRUCTION DETECTION BEAMS/ THE PROTECTOR SYSTEM™ (OPTIONAL ACCESSORY)

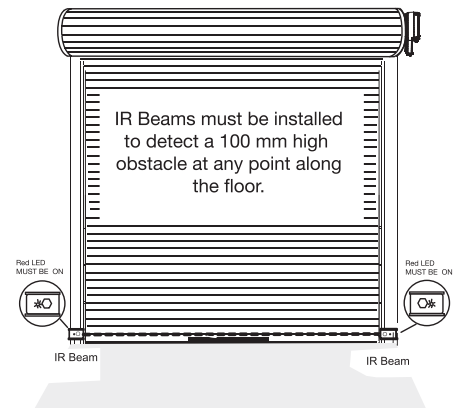
After installing and adjusting the door opener, photocells can be installed.

The installation instructions are included with the photocells.

The optional photocells ensure that the door is open, or remains open, if people, especially young children, are in the door area.

By means of the photocells, a closing door is opened or an open door is obstructed from closing, if a person located in the door area interrupts the sensor beam.

Photocells are particularly recommended for families with young children.



ENABLING THE PROTECTOR SYSTEM:

• Connect the obstruction detection beam wiring to the opener and turn ON. (The obstruction detection beams will automatically enable once they are connected and will now operate in a FAIL SAFE mode.)

DISABLING the obstruction detection beams:

If the obstruction detection beams are installed and needs to be removed the opener will need to be reprogrammed.

Perform the power ON/OFF sequence as follows

- Remove the obstruction detection beam wires from the opener
- Turn the mains power OFF for 5 seconds
- Turn the power ON for 5 seconds
- Turn the power OFF for 5 seconds
- Turn the power ON and check the opener operates OK without the obstruction detection beams

SAFETY FIRST!



Whilst Liftmaster have engineered safety features into your garage door opener, we urge you to consider fitting obstruction detection beams to your new garage door opener. In many countries these devices are compulsory to assist in preventing serious injury or property damage. For your own peace of mind and the safety of others please consider installing this safety device.

Automatic close feature (AC)

Auto close is NOT recommended for households with young children.

AUTOMATIC CLOSE feature: (AC) 10 to 180 seconds.

NOTE: The photo cells MUST be installed before AC will operate.

The Automatic Close feature allows the door to automatically close after a specified time period. During the OPEN door waiting period, the courtesy light will flash continuously.

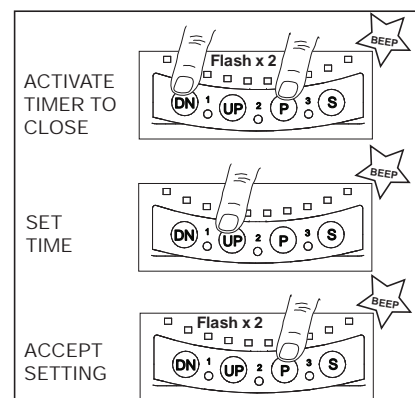
If the door encounters an obstruction while closing, the opener will return to the OPEN position and the waiting period will begin again.

To activate the Automatic Close:

- Start with obstruction detection beams installed and the door fully CLOSED
- Press and Hold both “P” and “DN” buttons for 3 seconds. When the Courtesy light flashes “TWICE”, release both buttons
- Press the “UP” for each 10 second interval required for Timer to Close. A “BEEP” will register for each press. “DN” button will reduce the count if needed.
- Press and release the “P” button to accept this setting

To deactivate the Timer to Close:

- Start with the door fully CLOSED
- Press and Hold both “P” and “DN” buttons for 3 seconds. When the Courtesy light flashes “TWICE”, release both buttons.
- Press and release the “P” button to accept this setting



The door may operate unexpectedly, therefore do not allow anything to obstruct the path of the door.

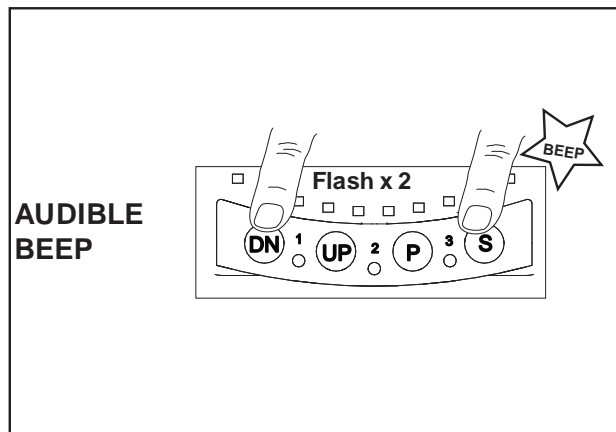
19 AUDIBLE BEEP (OPTIONAL)

The LM750EVGB has been factory set for an audible "BEEP".

The Audible beep can be turned OFF by using the following method.

- Start with the door fully CLOSED.
- Press and Hold both "S" and "DN" buttons for 3 seconds
- The Courtesy light will flash "TWICE".
Release the buttons.

To turn the audible beep back ON, simply repeat the above process.



20 VENTILATION MODE - PARTIAL OPENING FEATURE

This is an adjustable, second stop position, that can be pre-set, partially open for ventilation, pedestrian or pet access, programmed to the Remote Control.

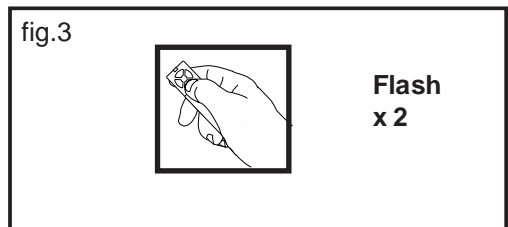
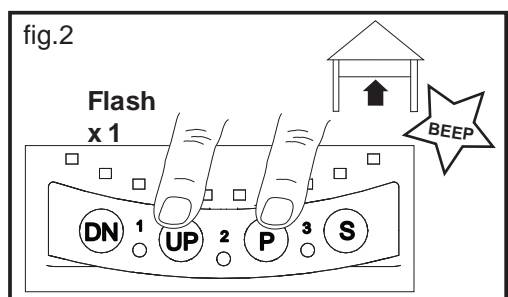
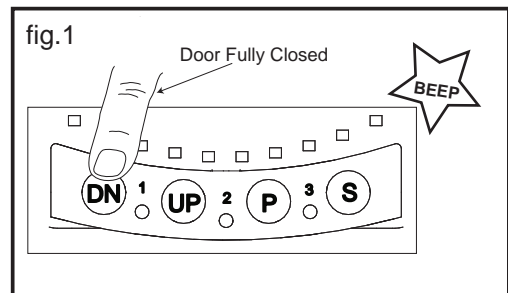
To activate the ventilation mode:

1. Start with the door fully **CLOSED** (figure 1). Drive the opener **UP** and stop at the position required for you wish to set the door at.
2. Enter ventilation activation mode by pressing the **P** and **UP** buttons together for 3 seconds (figure 2). Release when the courtesy light flashes once.
3. Press the remote control button that you have allocated for this feature (figure 3). Do not use the button already allocated for normal operation. The courtesy light will flash when the code is accepted.

The remote will now operate to and from the "programmed" and the "fully closed position". Outside this range the remote will operate as normal.

To deactivate the partial opening feature:

1. Start with the door fully **CLOSED**.
2. Enter ventilation mode by pressing the **P** and **UP** buttons together for 3 seconds (figure 2). The courtesy light will flash twice, indicating that deactivation has occurred.



21 WIRELESS PROGRAMMING (REMOTE ACCESSORIES)

NOTE: The transmitters supplied with your opener are preprogrammed by the factory.



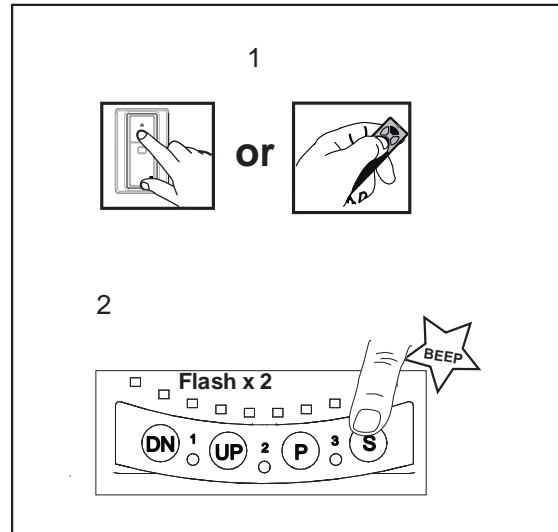
Activate the opener only when door is in full view, free of obstruction and properly adjusted. No one should enter or leave the garage while the door is in motion. Do not allow children to operate push buttons or remotes. Do not allow children to play near the door.

If you purchase additional transmitters, wireless wall controls and keypads the garage door opener must be programmed to accept the new remote code.

Program the receiver to match additional transmitter codes:

Using the “S” SAVE Button

1. Press and hold the button on the remote, wireless wall control that you wish to use (1)
2. Press and release the “S” button on the opener (2)
3. Release the remote button when the courtesy light flashes twice. It has learnt the code. If you release the remote control push button before the opener light flashes, the opener has not learnt the code.



The opener will now operate when the remote control button is pressed.

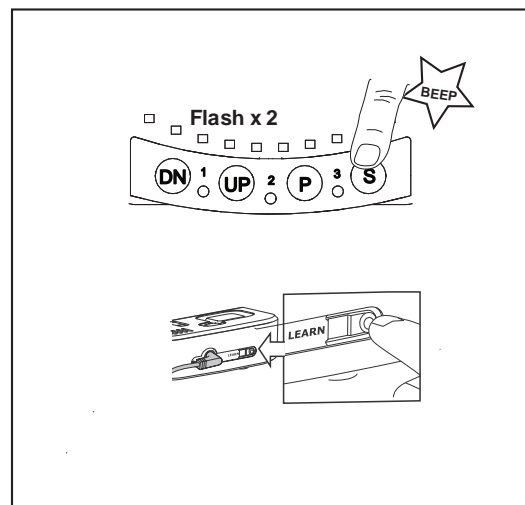
To Erase all Remote Control Codes

1. Press and hold the “S” button on the opener until the courtesy light flashes twice, and continue holding for approximately 8 seconds, until the courtesy light flashes twice again.
2. Release the button, all codes are now erased.

PROGRAM DOOR MONITOR 829EV

Using the S button on the garage door opener

1. Connect power to the door monitor.
Position the door monitor in a convenient location inside the house.
If this place is too far from the gate opener the connection may not be possible or is often interrupted.
Choose a more convenient place.
2. Press and release the “LEARN” button on the back of the door monitor. Red and green LED blink alternately.
Within 60 seconds press and release the S button on the garage door opener.
To confirm programming red and green LED on the door monitor are on.



DELETE DOOR MONITOR

1. Press the “LEARN” button on the back of the door monitor for at least 10 seconds.
A short beep confirms that deleting was successful.

NOTE: to use the CLOSE button function on the door monitor you also need to connect the safety photocells, 770E or 771EVK.

WIRELESS PROGRAMMING (REMOTE ACCESSORIES) CONTINUED



Activate the opener only when door is in full view, free of obstruction and properly adjusted. No one should enter or leave the garage while the door is in motion.

Do not allow children to operate push buttons or remotes. Do not allow children to play near the door.

WIRELESS KEYPAD 747EV

To set the keyless entry PIN:

1. Locate the "S" button on the garage door opener.
2. Press and release the "S" button. 1 x Beep and LED 2 x flash.
3. Enter a 4-digit personal identification number (PIN) of your choice on the keypad.
4. Press and hold the ENTER button. Check to see if the courtesy light blinks. Release the ENTER button after the light bulb blinks.

To change an existing keyless entry PIN:

1. Enter the existing programmed PIN that you want to change.
2. Press and hold the # button until the light bulb blinks twice.
3. Enter the new 4-digit PIN of your choice, then press the ENTER button. The light bulb will blink once.
4. To test, enter the new PIN, then press the ENTER button. The garage door opener will activate.

PROGRAM INTERNET GATEWAY myQ 828EV

Using the S button on the garage door opener

1. Connect the ethernet cable to the Liftmaster Internet Gateway and the router
2. Connect power to the Liftmaster Internet Gateway.
3. Create an online account on the latest Liftmaster MyQ smartphone application or on the www.liftmaster.eu. It is recommended to use the smartphone as it will allow you to stand close to the garage door opener while programming.
4. Register the Liftmaster Internet Gateway.
5. Click on the "Add new device" and follow the steps given by the application or on the web page.
2. The App will tell you if the programming was successful and will prompt you to assign a name to the garage door opener.

NOTE: to use your Smartphone to close the garage door you also need to connect the safety photo cells, 770E or 771EVK.

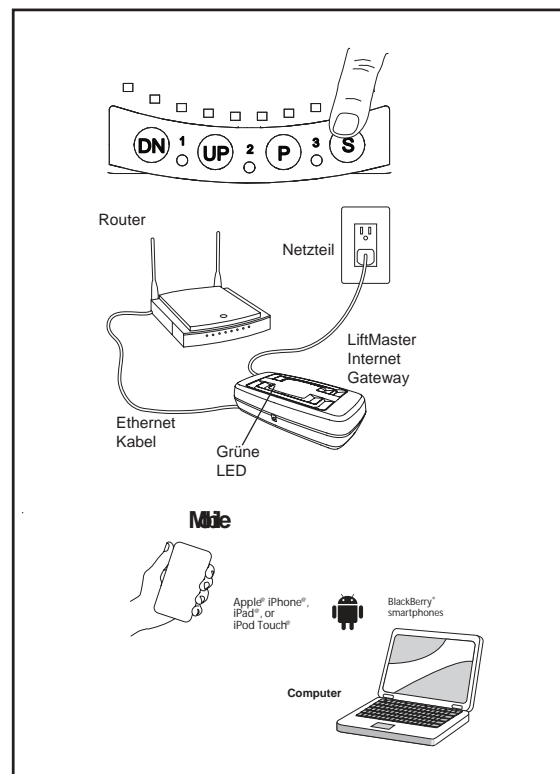
1 Locate the "S" button

2 Press and release the "S" button

3 Enter a 4-digit PIN of your choice
????

4 Press and hold the enter button
Opener light bulbs blink

After the lights blink release the ENTER button



22 STANDBY MODE (OPTIONAL)

The LM750EVGB has been factory set for low standby mode (sub 1 watt usage).

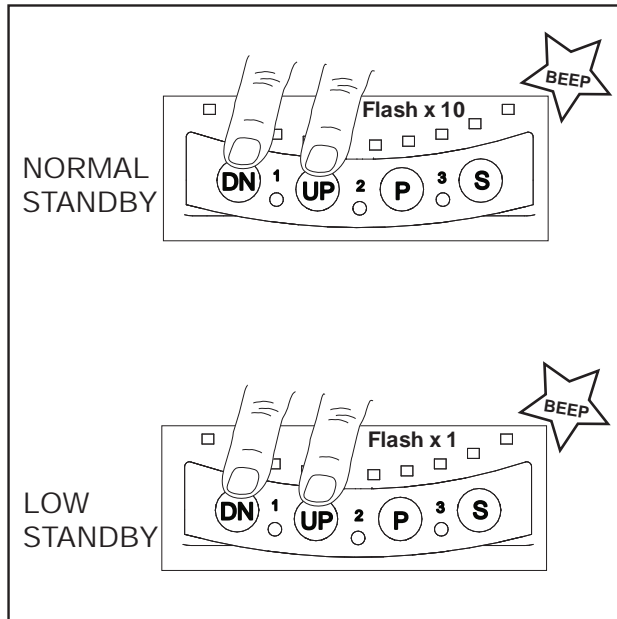
This will deliver the lowest possible standby power. The External Accessory Power is turned OFF in this mode, so if this output is required, Normal Standby mode will need to be activated (eg. for using an external receiver).

To Activate NORMAL STANDBY mode:

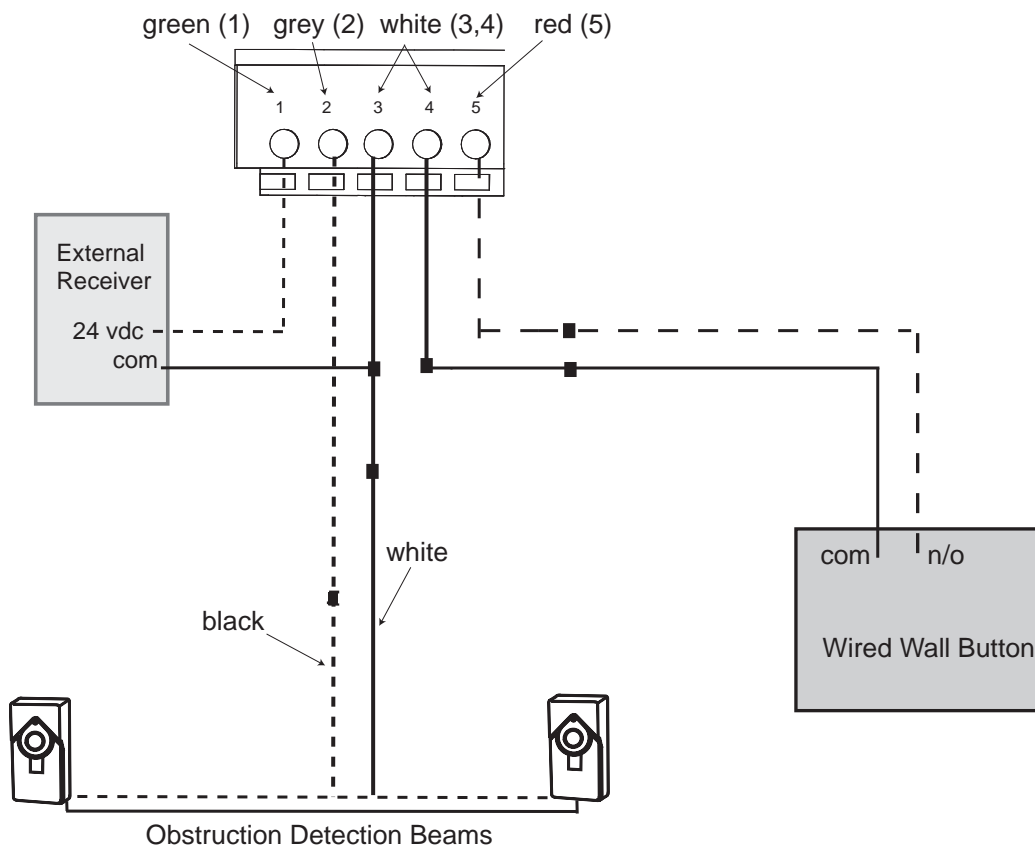
- Turn the mains power OFF.
- Press and Hold both "UP" and "DN" buttons.
- Turn ON mains power while both buttons are still pressed.
- Courtesy light comes ON, and after 5 seconds another 10 flashes. Release both buttons.

To Activate LOW STANDBY mode:

- Turn the mains power OFF.
- Press and Hold both "UP" and "DN" buttons.
- Turn ON mains power while both buttons are still pressed.
- Courtesy light comes ON, and after 5 seconds another 1 flash. Release both buttons.



23 TYPICAL WIRING DIAGRAM LM750EVGB Information for Service Personnel



OPERATION OF YOUR OPENER

Your opener can be activated by any of the following devices:

- **Opener Control Panel:** UP & DOWN buttons, and O.S.C. control button.
- **Remote Control Transmitter:** hold the button down until the door starts to move.
- **Wireless Entry Keypad:** This is an accessory that opens the door using a four digit keycode.

When the opener is activated:

- If open, the door will close. If closed, the door will open
- If closing, the door will stop
- If opening, the door will stop (allowing space for entry and exit of pets and for ventilation)
- If the door has been stopped in a partially open or closed position, it will reverse direction

Obstruction behaviour:

- If an obstruction is encountered while closing, the door will reverse
- If an obstruction is encountered while opening, the door will reverse and stop
- Obstruction detection beams use an invisible beam which, when broken by an obstruction, causes a closing door to open and prevents an open door from closing. It is **STRONGLY RECOMMENDED** for homeowners with young children or pets.

Opening the door manually:



When releasing the door, the door should be fully closed if possible. Weak or broken springs could allow an open door to fall rapidly. Property damage or serious injury could result.

The door can be opened manually by pulling the release cord down firmly.
To re-engage the door, pull the release cord down firmly.

The opener light will turn on for 3 minutes when the opener is activated.

CARE OF YOUR OPENER

When properly installed, your opener will operate with minimal maintenance. The opener does not require additional lubrication.

Limit and Force Settings: These settings must be checked and properly set when the opener is installed. Weather conditions may cause some minor changes in the door operation, requiring some re-adjustments, particularly during the first year of operation. Refer to limit and force setting in section 14.

Follow the instructions carefully and repeat the safety reverse test after any adjustment.

Transmitter: Additional transmitters can be purchased at any time. Refer to www.liftmaster.eu for compatible transmitters. Any new transmitters must be programmed into the opener.

Transmitter battery: If the transmission range decreases, replace the battery.

MAINTENANCE OF YOUR OPENER

Once a Month:

- Repeat the safety reverse test (see section 15). Make any necessary adjustments.
- Manually operate the door. If it is unbalanced or binding, call for professional garage door service.
- Check to be sure that the door opens and closes fully. Set the limits and/or force if necessary.

SPECIFICATIONS LM750EVGB

Input Voltage:	220-240 VAC, 50-60 Hz, 140 W
Rated Load:	35 Nm
Max.Pull Force:	550 N @ Ø300 mm
Max. door weight:	120 kg
Max lift under Spring Tension:	20 kg
Max. door area:	18 m ²
Standby Power:	<1 watt
Drive:	DC gear motor permanent lubrication
Max. Drum Rotations:	4 ^{1/2}
Memory Registers:	64
Operating Frequency:	433.30/433.92/434.54/868 MHz
Operating Temperature:	55°C to -25°C

SPECIAL NOTE: Liftmaster strongly recommends that obstruction detection beams be installed on all garage door openers.

24 REPLACE BATTERIES IN REMOTES

Battery of the remote control:

The batteries in the remote have a long life.

If the transmission range decreases, the batteries should be replaced. Batteries are not covered by the warranty.



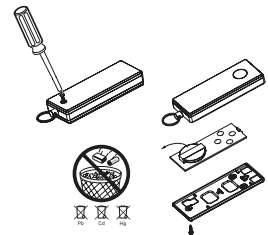
To prevent SERIOUS INJURY OR DEATH: observe the following instructions for the battery

- NEVER allow small children near batteries.
- If battery is swallowed, immediately notify a Doctor.
- Danger of explosion if battery is replaced improperly.
- Replacement only by identical or equivalent type.
- Dispose of old battery properly. Batteries should not be treated as household waste. All consumers are required by law to dispose of batteries properly at the designated collection points.
- Never recharge batteries that are not meant to be recharged.
- Do not short-circuit batteries or take them apart.
- If necessary, clean contacts on batteries and contacts before loading.
- Never expose batteries to excessive heat such as sunshine, fire or the like!

Replacing battery (CR2032 or equivalent):

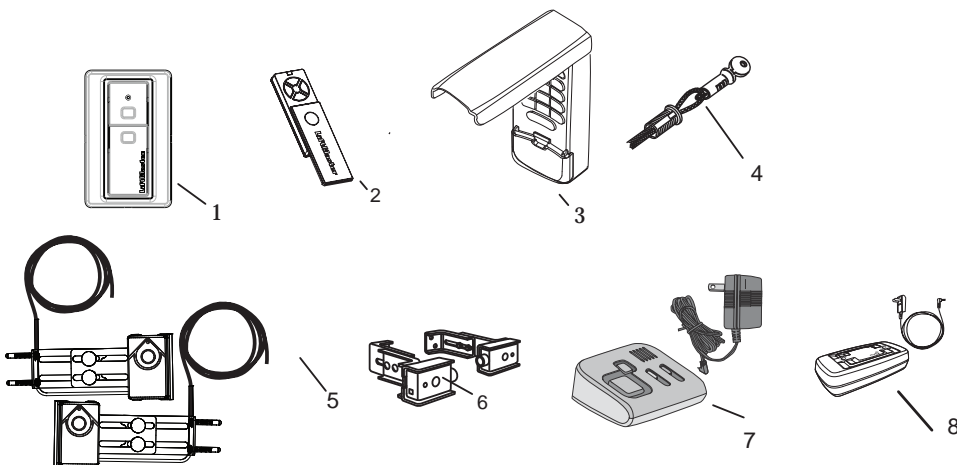
To replace the battery, turn the remote control around and open the case with a screwdriver. Lift the cover and lift the control board. Slide the battery to one side and remove the old battery. Be sure to observe the polarity of the battery.

Assemble the transmitter again following the steps in reverse.



25 ACCESSORIES

1. Model 128EV 2 Channel wireless wall button
2. Model TX4EVS 4 Channel mini transmitter
3. Model 747EV Keyless entry system
4. Model 1702EV Outside quick release
5. Model 771EVK The Protector System™ (IR Beams)
6. Model 770E Infrared safety sensor
7. Model 829EV Door monitor
8. Model 828EV Internet gateway



26 TROUBLESHOOTING

1. The opener will not operate from either the UP/DOWN activation button or the transmitters :

- Does the opener have electric power? Plug a lamp into the outlet. If it does not work, check the fuse box.
- Have you disabled all door locks? Review the installation safety instruction warnings on page 1.
- Is there a build-up of ice or snow under the door? The door may be frozen to the ground. Remove any restriction.
- The garage door spring may be broken. Have it replaced by contacting a garage door repairer.

2. Opener operates from the transmitter, but not from the wired wall control terminals:

- Check that the wiring connections are correct.

3. The door operates from the UP/DOWN activation buttons but not from the wireless wall control or transmitter:

- Program the opener to match the transmitter code. Repeat with all transmitters.

4. The transmitter has short range:

- Change the location of the transmitter.
- Check to be sure the antenna on the bottom of the opener extends fully downward.
- Some installations may have shorter range due to a metal door, foil backed insulation, or metal garage siding.
- The batteries may be flat. Replace the batteries.

5. The garage door opens and closes by itself:

- Be sure that no transmitter buttons are being pressed.
- Clear the memory and re-program all wireless wall controls and transmitters.

6. The door reverses and stops before opening completely:

- Is something obstructing the door? Is it out of balance, or are the springs broken? Remove the obstruction or repair the door.

7. Door reverses for no apparent reason and opener lights flash 10 times:

- Check the obstruction detection beams (if you have installed this accessory). If the red light on the beam is flashing, the alignment is incorrect.
- The red light on the beams may not be on if the opener is in Standby mode. Activate the door to temporarily exit standby mode and check lights are on constantly. If the LEDs are flashing, realign the beams.

8. The door opens but will not close (or reverses while closing):

- Is something obstructing the door? Pull the manual release handle. Operate the door manually. If it is unbalanced or binding, call a trained door systems technician.
- Clear any ice or snow from the garage floor area where the door closes.
- Repeat the limit and force setting. Repeat safety reverse test after adjustments.

9. The opener strains to operate the door:

- The door may be out of balance or the springs may be broken. Close the door and use the manual release to disconnect the door. Open and close the door manually. A properly balanced door will stay in any point of travel while being supported entirely by its springs. If it does not, disconnect the opener and call a trained door systems technician.

10. The opener motor hums briefly, then will not work:

- Check that the door is not in manual release mode (refer to sections 9 or 10).
- The garage door springs may be broken.
- If the problem occurs on the first operation of the opener, the door may be locked. Disable any door locks.

11. The opener will not operate due to a power failure:

- Use the manual release handle to disconnect the door. The door can be opened and closed manually. When power is restored, re-engage the opener to operate it via a transmitter.

12. The LED Indicators on the control panel are flashing in sequence:

- Check the diagnostic code in section 28.

27 DIAGNOSTIC CHART

Your garage door opener is programmed with self-diagnostic capabilities. The indicator LED's 1 & 3 on the control panel will flash a number of times to indicate a fault code exists.

DIAGNOSTIC CODE		SYMPTOM	POSSIBLE RESOLUTION
LED 1	LED 3		
1	1	The garage door opener will not close and the courtesy light flashes.	Safety sensors are open circuit or wires may be cut. Inspect sensor wires for a disconnected or cut wire. Turn power off and reboot the opener.
1	2	The garage door opener will not close and the courtesy light flashes.	There is a short circuit wire for the safety sensors. Inspect safety sensor wire at all staple points and replace wire or correct as needed. Turn power off and reboot the opener.
1	3	The door control will not function.	The wires for the door control are shorted or the door control is faulty. Inspect safety sensor wire at all staple points and connection points and replace wire or correct as needed.
1	4	The garage door opener will not close and the courtesy light flashes.	Safety sensors are misaligned or were momentarily obstructed. Realign both sensors to ensure both LEDs are steady and not flickering. Make sure nothing is hanging or mounted on the door that would interrupt the sensors path while closing.
1	5	There is no door movement or motor accelerates before stopping suddenly.	No RPM pulses have been detected. Check the door manually for balance, binding or obstructions. Internally the possible cause may be the motor, logic board or RPM sensor. Try resetting door travel limits. Contact service centre.
2	1	Opener fails to operate.	Possible PCB memory failure. Reboot opener by turning the mains power OFF and then ON after 15 seconds. Reprogram the door travel limits and force settings. Contact service centre.
2	2	Opener fails to operate.	Possible PCB Voltage failure. Reboot opener by turning the mains power OFF and then ON after 15 seconds. Reprogram the door travel limits and force settings. Contact service centre.
2	4	Opener fails to operate using the remote controls	Possible receiver failure. Reboot opener by turning the mains power OFF and then ON after 15 seconds. Recode the transmitters. Contact service centre.
4	1	Door is moving down, stops and reverses.	Manually open and close the door. Check for binding or obstructions, such as a broken spring or door lock. If the door is binding or sticking contact a trained door systems technician. If door is not binding or sticking, reset the limits (refer to "Program the Travel Limits and Force" section).
4	2	Door is moving up, stops and reverses.	Manually open and close the door. Check for binding or obstructions, such as a broken spring or door lock. If the door is binding or sticking contact a trained door systems technician. If door is not binding or sticking, reset the limits (refer to "Program the Travel Limits and Force" section).

28 DECLARATION OF CONFORMITY

The manual consists of the operating instructions and the declaration of conformity.

™ Trademark of Chamberlain Group
 ® Registered Trademark of Chamberlain Group
 © 2018 Chamberlain Group