

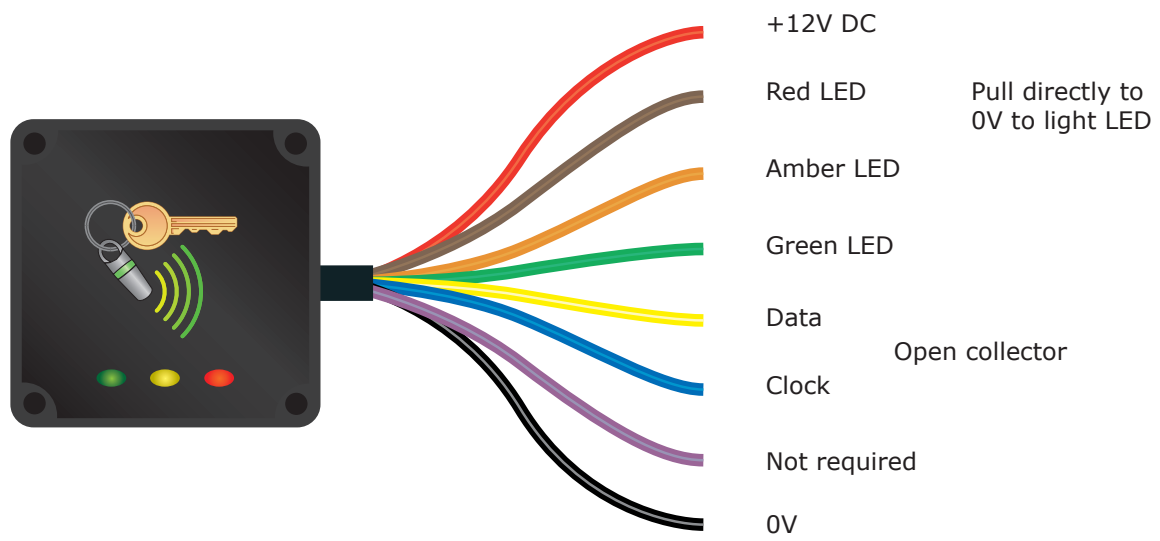
# Ins-30087 OEM PROXIMITY panel mount reader - Hitag 2 - Clock and Data

Suitability			
Security-sensitive doors	✓	Wet environments	✓
Mounted on metal surface	✗	Readers mounted together	<b>300 mm</b> between readers

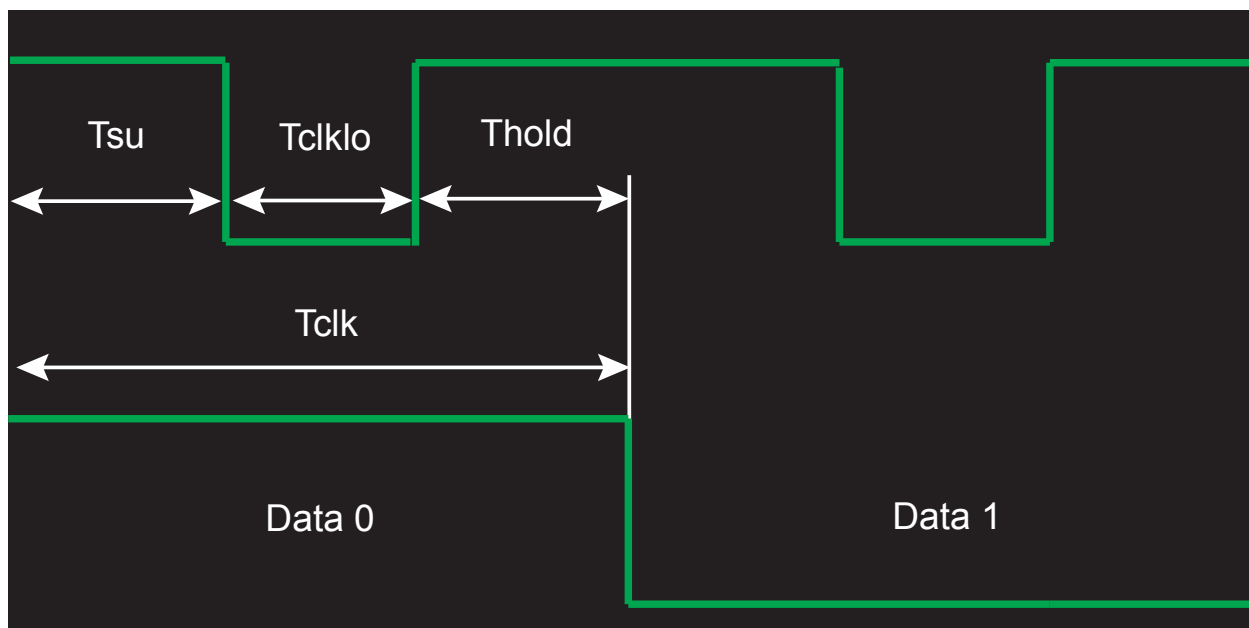
## Fitting



## Wiring



## Output format



Data Period ( Tclk )	600 $\mu$ s
Data Setup Time (Tsu)	200 $\mu$ s
Data Clock Low (Tcklo)	200 $\mu$ s
Data Hold Time (Thold)	200 $\mu$ s

### Cable extensions

Readers can be extended using Belden CR9540 10-core overall screened cable to a maximum of 100 metres.

### Specifications

Environment	Min	Max	
Operating temperature	-20 °C	+55 °C	
Waterproof	IPX7		Outdoor Use
Cable length			5 metres
Electrical	Min	Max	
Voltage	9V DC	14V DC	
Current		110 mA	
Carrier frequency			125 kHz
Clock and data bit period			600 $\mu$ s
Dimensions	Width	Height	Depth
Panel mount reader	58 mm	58 mm	17 mm
Window size	40 mm	40 mm	
Mounting holes - 3.7 mm dia - square formation	49 mm	49 mm	See front page for position

### Contents in box

PROXIMITY panel mount reader - Hitag 2 - Clock and Data
Window assembly
Instruction set

