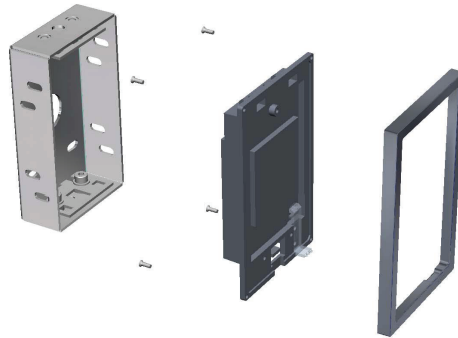


Suitability

Security-sensitive doors ✓

Wet environments ✓

Accepts customised inserts and bezels ✓

Readers mounted together **300 mm**
between readers**Fitting**

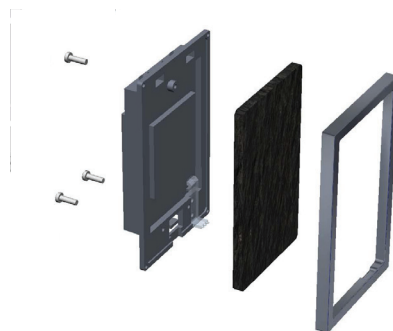
Ensure that the backbox is mounted vertically and is square with the wall surface.

Care must be taken when doing this, as no further 'twist' adjustment is possible within the reader mountings.

Reader insert

The reader insert is held against the backplate by an outer decorative bezel secured with 4 small screws. Remove these screws to release the bezel and refit after adding the insert.

If you have made an insert of less than 5 mm thick, this can still be fitted by using the 3 nylon screws supplied in the fitting kit to hold the insert against the bezel. (see diagram)

**Mounting the reader**

Line up the two locating pins on the top of the reader with the top plate inside the backbox. Once located, the reader can be clipped into the box at the bottom using the clip feature.

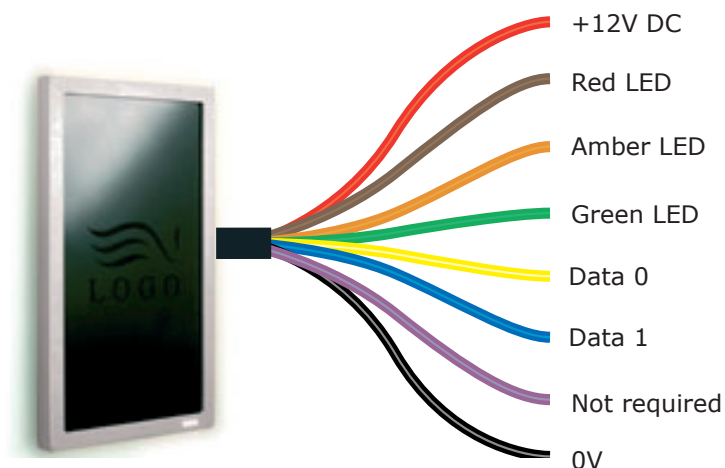
Check that the reader is located against the surface of the wall. If there is a gap between the reader and the wall, or if the reader will not successfully clip into the box, remove the reader and adjust the mounting plates inside the backbox using a 3 mm Allen key.

Removing the reader

To remove the reader, insert the tool provided into the cut out on the underside of the reader. Push up the clip and pull the reader from the backbox.



Wire outputs



Cable extensions

Readers can be extended using Belden CR9540 10-core overall screened cable to a maximum of 100 metres.

Specifications			
Environment	Min	Max	
Operating temperatures - all items	-20 °C	+55 °C	
Waterproof			IPX7
Cable length			5 metres
Electrical	Min	Max	
Voltage	8V DC	14V DC	
Current		140 mA	
Carrier frequency			125 kHz
Wiegand format			26 bits
Dimensions	Width	Height	Depth
Reader	70 mm	110 mm	10 mm
Backbox	60 mm	100 mm	25 mm
Reader insert	61 mm	102 mm	6 mm
Read Range	Token	Keyfob	Hands Free Token
	40 mm	25 mm	400 mm

Contents in box		
PROXIMITY architectural reader - Wiegand		
Backbox assembly		
Reader junction box		
Reader insert diagram		
Instruction set		
Fitting kit	Qty	Description
Kit fk1-080	4	No 8 x 1in pozi pan self tapping screw - zinc
	4	35mm wall plugs
	3	M3 x 10 nylon screw
	1	Reader removal tool



Ins-30082 OEM PROXIMITY architectural reader EM4100 Wiegand output

Suitability

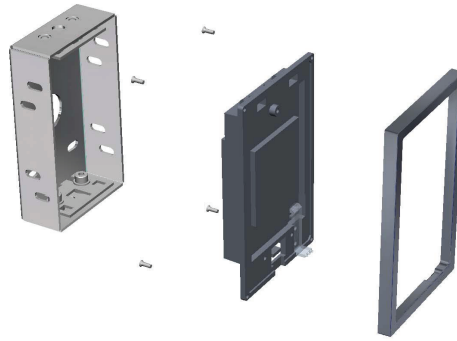
Security-sensitive doors ✓

Wet environments ✓

Accepts customised inserts and bezels ✓

Readers mounted together **300 mm**
between readers

Fitting



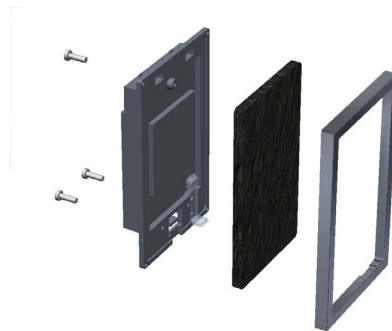
Ensure that the backbox is mounted vertically and is square with the wall surface.

Care must be taken when doing this, as no further 'twist' adjustment is possible within the reader mountings.

Reader insert

The reader insert is held against the backplate by an outer decorative bezel secured with 4 small screws. Remove these screws to release the bezel and refit after adding the insert.

If you have made an insert of less than 5 mm thick, this can still be fitted by using the 3 nylon screws supplied in the fitting kit to hold the insert against the bezel. (see diagram)



Mounting the reader

Line up the two locating pins on the top of the reader with the top plate inside the backbox. Once located, the reader can be clipped into the box at the bottom using the clip feature.

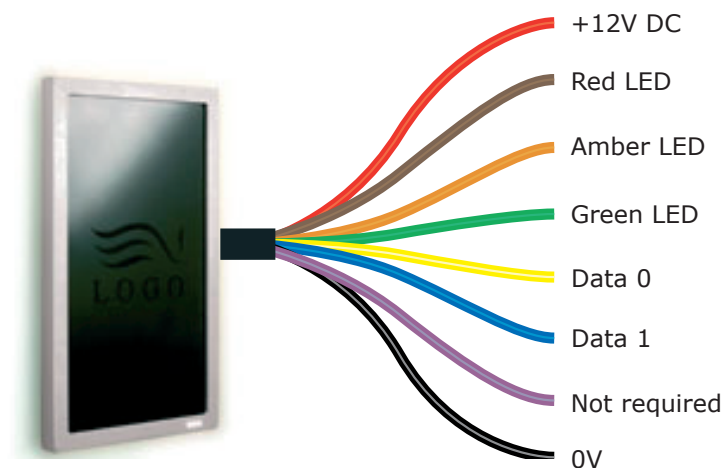
Check that the reader is located against the surface of the wall. If there is a gap between the reader and the wall, or if the reader will not successfully clip into the box, remove the reader and adjust the mounting plates inside the backbox using a 3 mm Allen key.

Removing the reader

To remove the reader, insert the tool provided into the cut out on the underside of the reader. Push up the clip and pull the reader from the backbox.



Wire outputs



Cable extensions

Readers can be extended using Belden CR9540 10-core overall screened cable to a maximum of 100 metres.

Specifications			
Environment	Min	Max	
Operating temperatures - all items	-20 °C	+55 °C	
Waterproof			IPX7
Cable length			5 metres
Electrical	Min	Max	
Voltage	8V DC	14V DC	
Current		140 mA	
Carrier frequency			125 kHz
Wiegand format			26 bits
Dimensions	Width	Height	Depth
Reader	70 mm	110 mm	10 mm
Backbox	60 mm	100 mm	25 mm
Reader insert	61 mm	102 mm	6 mm
Read Range	Token	Keyfob	Hands Free Token
	40 mm	25 mm	400 mm

Contents in box		
PROXIMITY architectural reader - Wiegand		
Backbox assembly		
Reader junction box		
Reader insert diagram		
Instruction set		
Fitting kit	Qty	Description
Kit fk1-080	4	No 8 x 1in pozi pan self tapping screw - zinc
	4	35mm wall plugs
	3	M3 x 10 nylon screw
	1	Reader removal tool

