

Technical Support

01273 811011

support@paxton.co.uk

Technical help is available: Monday - Friday from 07:00 - 19:00 (GMT)
Saturday from 09:00 - 13:00 (GMT)

Documentation on all Paxton products can be found on our website - <http://www.paxton.co.uk/>

RS485 Network connection

This module is designed to assist in the fault finding and testing of individual ACU's by removing the need for a wired data line connection. Analysis can be easily done by taking a laptop PC to the ACU and connecting directly into its communications port.

No additional 'end of line' resistors are required.

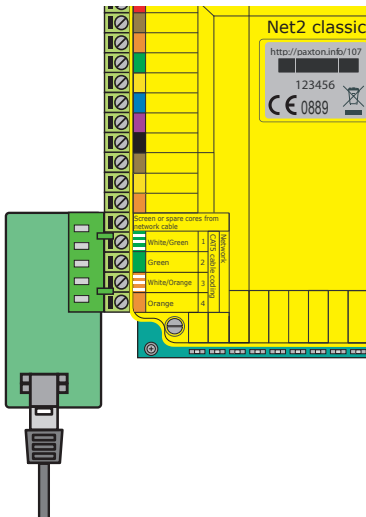
Pull off the screw terminal block from the network port on the ACU and replace it with this module. Connect the module to the USB port on the PC and run the Net2 software.

No further configuration is required. The Net2 software will look for the USB device. This Net2 device will NOT show as a serial port in the PC software.

Software - Requires Net2 v4.13 or later

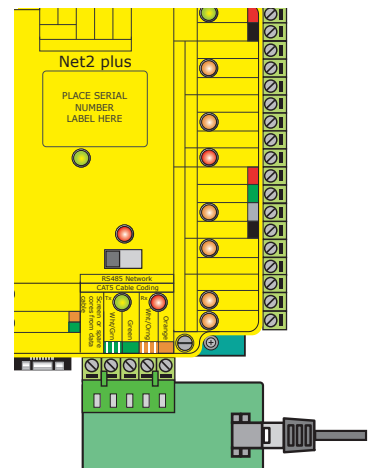
This device requires the PC to have a Paxton USB driver loaded. Please contact Technical Support if software or further assistance is required.

Net2 classic control unit



Remove Net2 data cable plug and replace with this module.

Net2 plus control unit



IMPORTANT: Ensure that the module is only connected to the RS485 data port.
The PCB may be damaged if connected to another port in error.