

Ins-30024 - OEM Magstripe reader, clock and data output

Suitability

Wet environments



Security-sensitive doors



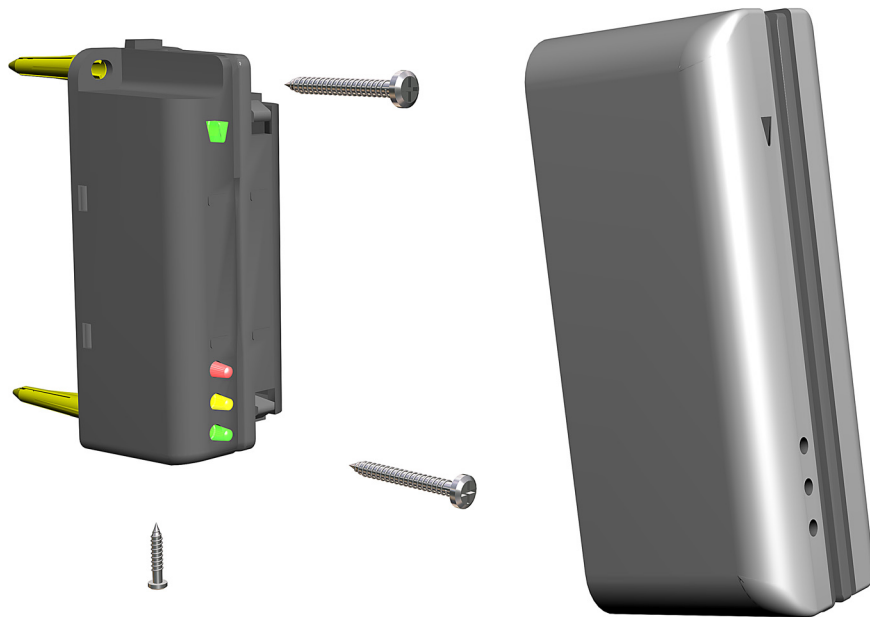
Mounted on metal surface



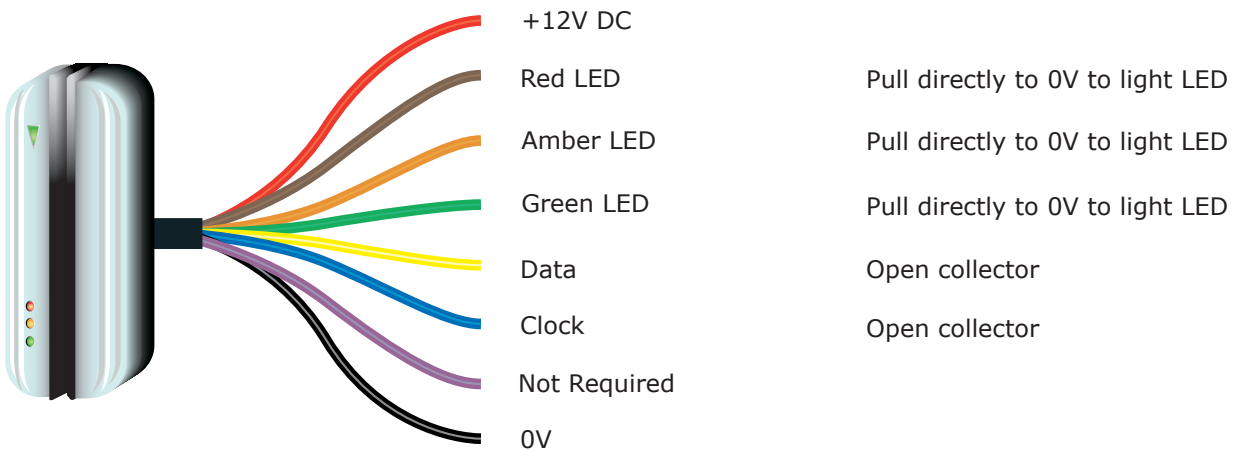
Readers mounted together



Fitting

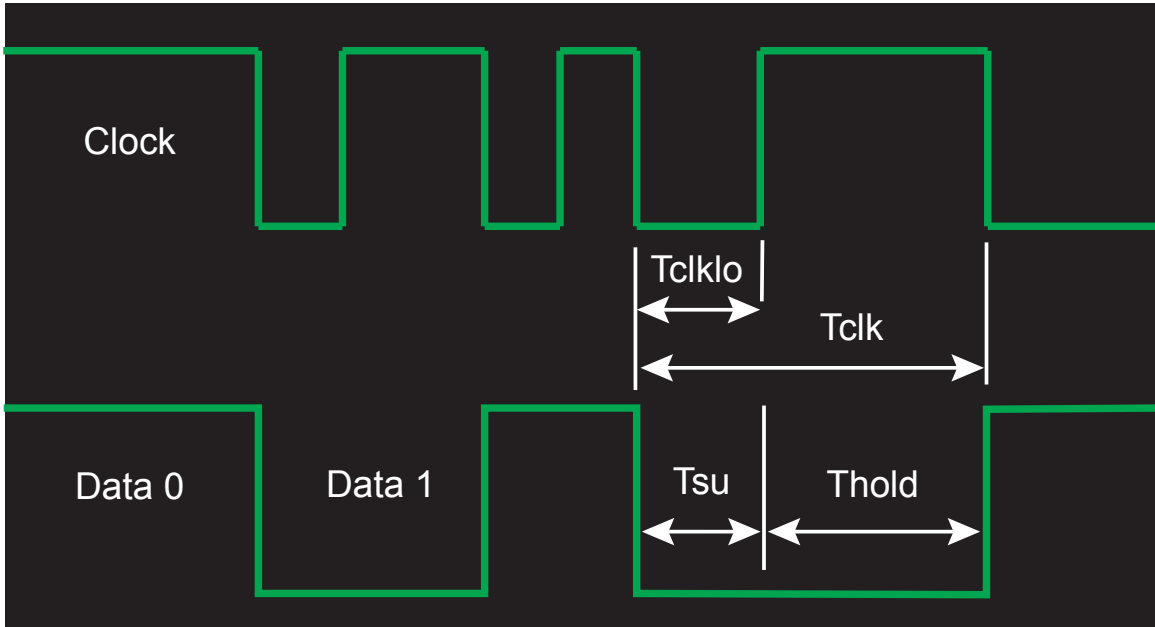


Wiring



Output format

The following diagram applies to all readers with serial number greater than or equal to 090008



The Clock period (T_{clk}) is variable and will depend on the speed that the user card is swiped through the reader.

Data period (T_{clk}) = $> 60 \mu s$ but $< 3000 \mu s$

Data Hold Time (T_{hold}) = $T_{clk} - T_{clklo}$

Data Set-up Time (T_{su}) = $T_{su} = T_{clklo}$

Data Clock Low (T_{clklo}). This is 'data dependent' but will approximate to the following:

If Data = 0 (High) then $T_{clklo} = T_{clk} / 2$

If Data = 1 (Low) then $T_{clklo} = T_{clk} / 3$

Cable extensions

Readers can be extended using Belden CR9540 10-core overall screened cable to a maximum of 100 metres.

Specifications			
	Min	Max	
Environment			
Operating temperature	-20 °C	+55 °C	
Cable length			5 metres
IP Rating	IPX7		Outdoor Use
Reader head life	1,000,000		Swipes
Electrical			
Voltage	8V DC	14V DC	
Current	90 mA	110 mA	
Clock and data bit period	60 μs	3000 μs	
Media speed	125 mm/s	1250 mm/s	
Media acceleration		500 mm/s ²	
Magnetic stripe coercivity	300 Oe	4000 Oe	
Dimensions			
	Width	Height	Depth
Reader	34 mm	89 mm	34 mm

Ins-30024 - OEM Magstripe reader, clock and data output

Suitability

Wet environments



Security-sensitive doors



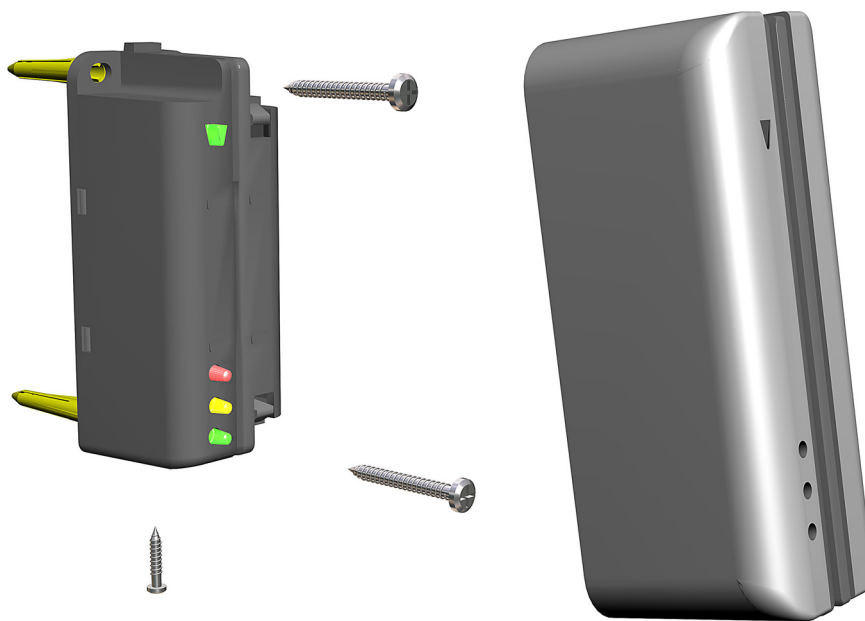
Mounted on metal surface



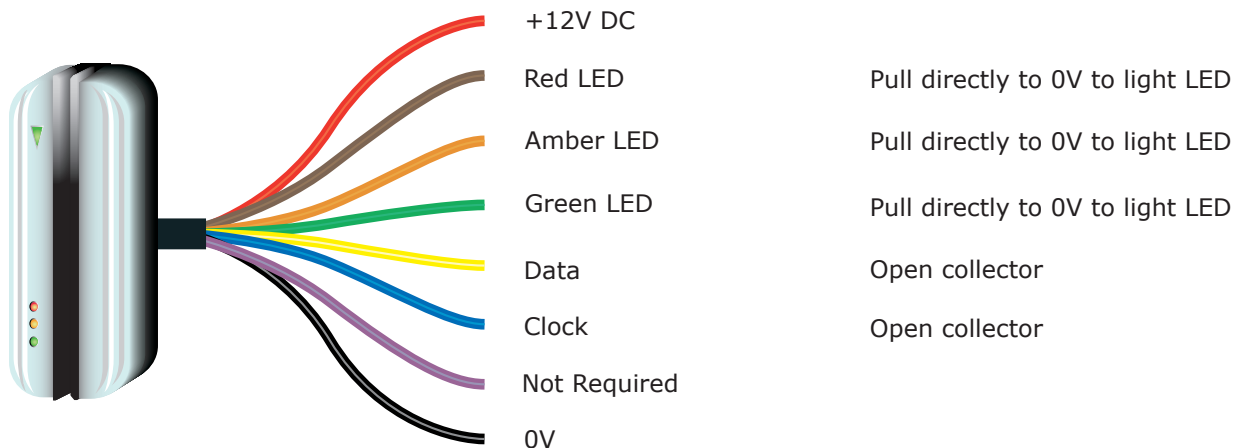
Readers mounted together



Fitting

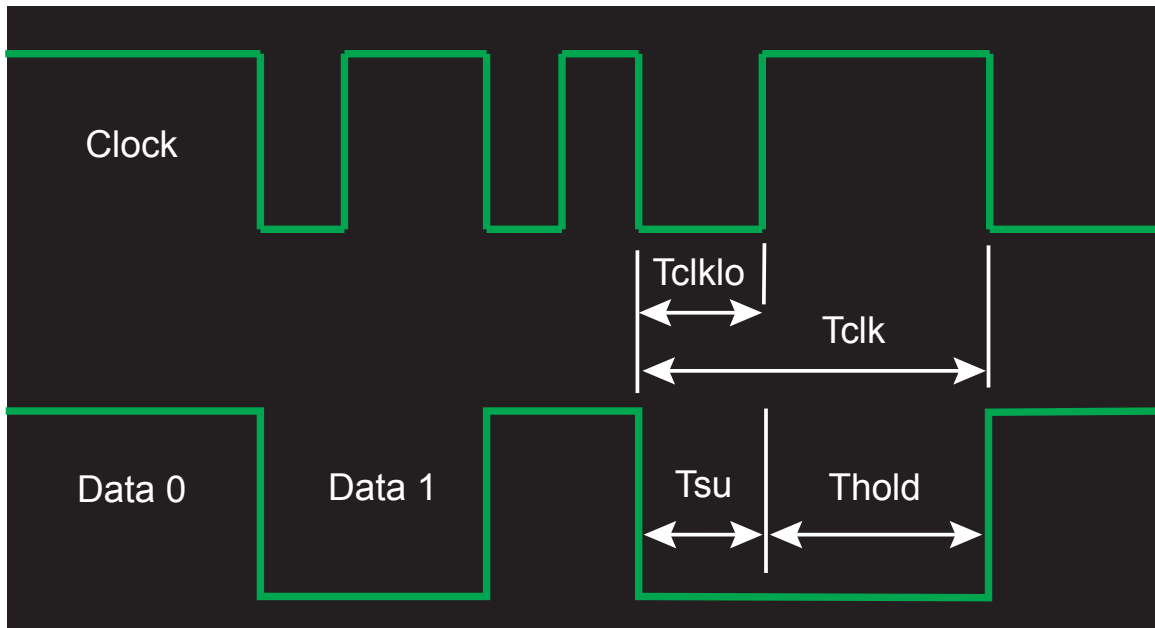


Wiring



Output format

The following diagram applies to all readers with serial number greater than or equal to 090008



The Clock period (T_{clk}) is variable and will depend on the speed that the user card is swiped through the reader.

Data period (T_{clk}) = $> 60 \mu s$ but $< 3000 \mu s$

Data Hold Time (T_{hold}) = $T_{clk} - T_{clklo}$

Data Set-up Time (T_{su}) = $T_{su} = T_{clklo}$

Data Clock Low (T_{clklo}). This is 'data dependent' but will approximate to the following:

If Data = 0 (High) then $T_{clklo} = T_{clk} / 2$

If Data = 1 (Low) then $T_{clklo} = T_{clk} / 3$

Cable extensions

Readers can be extended using Belden CR9540 10-core overall screened cable to a maximum of 100 metres.

Specifications			
	Min	Max	
Environment			
Operating temperature	-20 °C	+55 °C	
Cable length			5 metres
IP Rating	IPX7		Outdoor Use
Reader head life	1,000,000		Swipes
Electrical			
Voltage	8V DC	14V DC	
Current	90 mA	110 mA	
Clock and data bit period	60 μs	3000 μs	
Media speed	125 mm/s	1250 mm/s	
Media acceleration		500 mm/s ²	
Magnetic stripe coercivity	300 Oe	4000 Oe	
Dimensions			
	Width	Height	Depth
Reader	34 mm	89 mm	34 mm