


Technical Support
 01273 811011

 support@paxton.co.uk

Technical help is available: Monday - Friday from 07:00 - 19:00 (GMT)
Saturday from 09:00 - 13:00 (GMT)

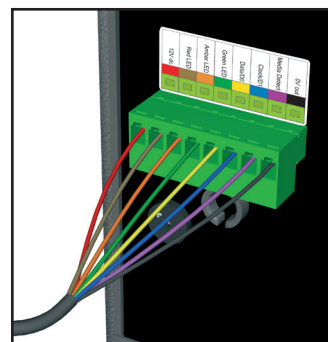
Documentation on all Paxton products can be found on our website - <http://www.paxton.co.uk/>

Fitting**K75 Screw connector option**

The unit should be mounted in conjunction with an electrical backbox to achieve the required clearance for the connector.

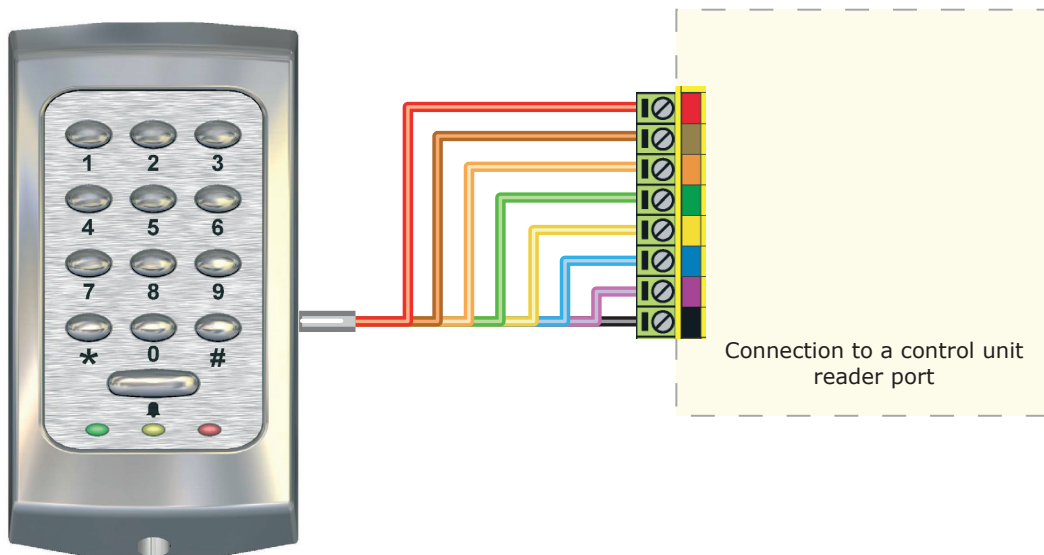
If an adaptor plate (310-750) is fitted, the mountings on the backbox can also be used.

Indoor use only

**Cable extensions**

Readers can be extended using Belden CR9540 10-core overall screened cable to a maximum of 100 metres.

Wiring



When using this keypad style with Net2, the software version used must be v3.21 or later.

WHITE labelled Net2 control units provide 5V at the Red terminal. The Red power wire for the reader should therefore be directly connected to the 12V ACU terminal.

Switch2 controllers with WHITE labels are incompatible with these products. The keypads in the K and KP series, can only be used with Switch2 controllers fitted with YELLOW wiring labels.

Connection modules



Reader junction box (325-020)

This module can be used to provide a connection point for the reader RJ45 plug. The terminals on the module are then wired colour for colour to the controller.

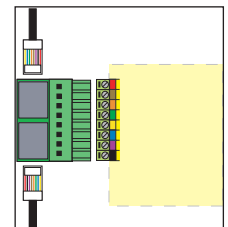
Alternatively, the reader can be wired directly into the screw terminals of the control unit by first cutting off the RJ45 plug and stripping back the wires in the cable.

Reader port module (325-030)

This module may be purchased separately to speed up the installation and replacement of readers.

The reader port module is designed to convert the standard reader ports on Switch2 and Net2 controllers to accept one or two RJ45 connections. Pull off the screw terminal block from the reader port and simply replace it with this module.

Further information on how to purchase Installer Tools is available at:
<http://paxton.info/841>



Suitability

Security-sensitive doors ✓

Mounted on metal surface ✓

Wet environments ✓

Readers mounted together ✓

Technical Help

Here is the list of topics about this product that receive the most technical support enquiries. We list them here to help you speed up the installation and trouble shooting process.

1 - Net2 - Bell function.

Pressing the bell button on the keypad will result in Relay 2 being energised for 1 second. A bell sounder can be controlled by wiring one of the bell feeds across COM / NO on the relay.

2 - Readers/keypads not working.

- Software settings - Confirm that the settings of the reader or keypad are correct.
- Connections - Check the wiring of the connectors. Where possible, test this reader on the other port.
- Extended Cable - Belden 9540 should be used. (100 m maximum) Twisted pair alarm cable should not be used. To confirm that an extended cable is not at fault, wire the reader direct into the reader port.
- Supply voltage - Confirm that the voltage is within specification. (see table)
- User token - Confirm that the user token used for testing is OK by presenting it to a known working reader.
- Interference - Confirm whether the reader works when tested 'in hand' and not mounted on the wall. Ensure that readers are not mounted back to back or there is no interference from other local RF devices.

3 - Readers/keypads - Extending cable.

Only Belden CR9538 / 9540 can be used for cable extensions. CR9538 8 core up to 25 m, CR9540 10 core for 25-100 m (maximum extension). With CR9540, the two additional cores should be used to double up for power.

4 - Switch2 - Initialising with 2 keypads.

Either Keypad can be used to initialise the controller. Connect all wires in parallel, colour for colour.

5 - Switch2 (White label) & Touchlock Switch Control (922-177).

This keypad style does NOT work with these control units.

6 - Duress Codes.

Net2 - Duress codes cannot be programmed into Net2.

Switch2 - These systems can accept Duress codes.

7 - Net2 - Replacing an old style keypad. (ACU Keypad port).

When using this keypad with Net2, the software version used must be V3.21 or later and the keypad must be wired into the reader port.

| Specifications | | | |
|-------------------------------------|---------|---------|-------------|
| Electrical | Min | Max | |
| Voltage | 8V DC | 14V DC | |
| Current | | 100 mA | |
| Clock and data bit period | | | 600 µs |
| Vandal resistance | | | Medium |
| Environment | Min | Max | |
| Operating temperatures - all items | - 35 °C | + 66 °C | |
| Waterproof - Fixed cable | IPX7 | | Outdoor use |
| Waterproof - K75 - Screw connection | | | Indoor use |
| Cable length | | | 5 metres |
| Dimensions | Width | Height | Depth |
| K38 | 38 mm | 78 mm | 13 mm |
| K50 | 50 mm | 100 mm | 15 mm |
| K75 | 75 mm | 143 mm | 16 mm |

This product is not suitable for retail sale. All warranties are invalid if this product is not installed by a competent person.



The declaration of conformity is available on request. Contact details are provided at: <http://paxton.info/596>