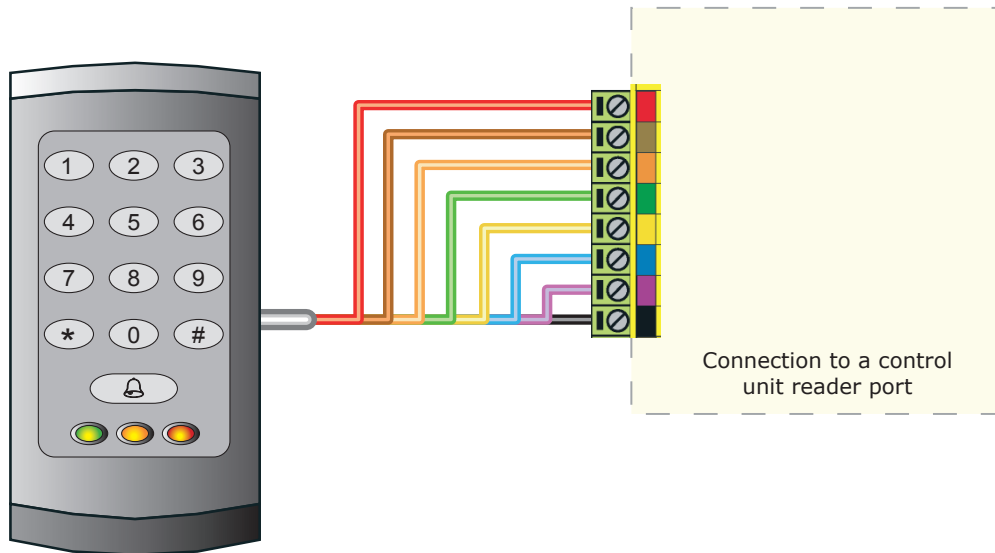


Wiring



When using this keypad style with Net2, the software version used must be v3.21 or later.

WHITE labelled Net2 control units provide 5V at the Red terminal. The Red power wire for the reader should therefore be directly connected to the 12V ACU terminal.

Switch2 controllers with WHITE labels are incompatible with these products. The keypads in the K and KP series, can only be used with Switch2 controllers fitted with YELLOW wiring labels.

Connection modules



Reader junction box (325-020)

This module can be used to provide a connection point for the reader RJ45 plug. The terminals on the module are then wired colour for colour to the controller.

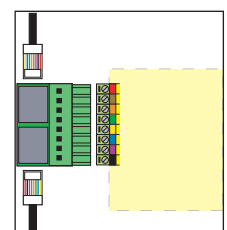
Alternatively, the reader can be wired directly into the screw terminals of the control unit by first cutting off the RJ45 plug and stripping back the wires in the cable.

Reader port module (325-030)

This module may be purchased separately to speed up the installation and replacement of readers.

The reader port module is designed to convert the standard reader ports on Switch2 and Net2 controllers to accept one or two RJ45 connections. Pull off the screw terminal block from the reader port and simply replace it with this module.

Further information on how to purchase Installer Tools is available at:
<http://paxton.info/841>



Technical Help

Here is the list of topics about this product that receive the most technical support enquiries. We list them here to help you speed up the installation and trouble shooting process.

1 - Net2 - Bell function.

Pressing the bell button on the keypad will result in Relay 2 being energised for 1 second. A bell sounder can be controlled by wiring one of the bell feeds across COM / NO on the relay.

2 - Readers/keypads not working.

- Software settings - Confirm that the settings of the reader or keypad are correct.
- Connections - Check the wiring of the connectors. Where possible, test this reader on the other port.
- Extended Cable - Belden 9540 should be used. (100 m maximum) Twisted pair alarm cable should not be used. To confirm that an extended cable is not at fault, wire the reader direct into the reader port.
- Supply voltage - Confirm that the voltage is within specification. (see table)
- User token - Confirm that the user token used for testing is OK by presenting it to a known working reader.
- Interference - Confirm whether the reader works when tested 'in hand' and not mounted on the wall. Ensure that readers are not mounted back to back or there is no interference from other local RF devices.

3 - Readers/keypads - Extending cable.

Only Belden CR9538 / 9540 can be used for cable extensions. CR9538 8 core up to 25 m, CR9540 10 core for 25-100 m (maximum extension). With CR9540, the two additional cores should be used to double up for power.

4 - Switch2 - Initialising with 2 keypads.

Either Keypad can be used to initialise the controller. Connect all wires in parallel, colour for colour.

5 - Switch2 (White label) & Touchlock Switch Control (922-177).

This keypad style does NOT work with these control units.

6 - Duress Codes.

Net2 - Duress codes cannot be programmed into Net2.

Switch2 - These systems can accept Duress codes.

7 - Net2 - Replacing an old style keypad. (ACU Keypad port).

When using this keypad with Net2, the software version used must be V3.21 or later and the keypad must be wired into the reader port.

Suitability

Security-sensitive doors



Mounted on metal surface



Wet environments



Readers mounted together



Keypad bezels

Additional bezels are available in black, white, grey, blue and silver. Registered installers can order these free of charge by logging onto the secure installer extranet: <http://paxton.info/1035> or if you are not a registered installer please call us on: 01273 811011 for more information.



Specifications

Electrical	Min	Max	
Voltage	8V DC	14V DC	
Current		100 mA	
Clock and data bit period			600 μ s
Backlight			Yes
Environment	Min	Max	
Operating temperatures - all items	- 35 °C	+ 66 °C	
Waterproof - Fixed cable	IPX7		Outdoor use
Waterproof - K75 - Screw connection			Indoor use
Cable length			5 metres
Dimensions	Width	Height	Depth
K38	38 mm	78 mm	13 mm
K50	50 mm	100 mm	15 mm
K75	75 mm	143 mm	16 mm

This product is not suitable for retail sale. All warranties are invalid if this product is not installed by a competent person.



The declaration of conformity is available on request. Contact details are provided at: <http://paxton.info/596>