

## Technical Support



+44 (0)1273 811011



support@paxton.co.uk

Technical help is available: Monday - Friday from 07:00 - 01:00 (GMT)  
Saturday from 09:00 - 13:00 (GMT)

Documentation on all Paxton Access products can be found on our web site - <http://www.paxton.co.uk/>

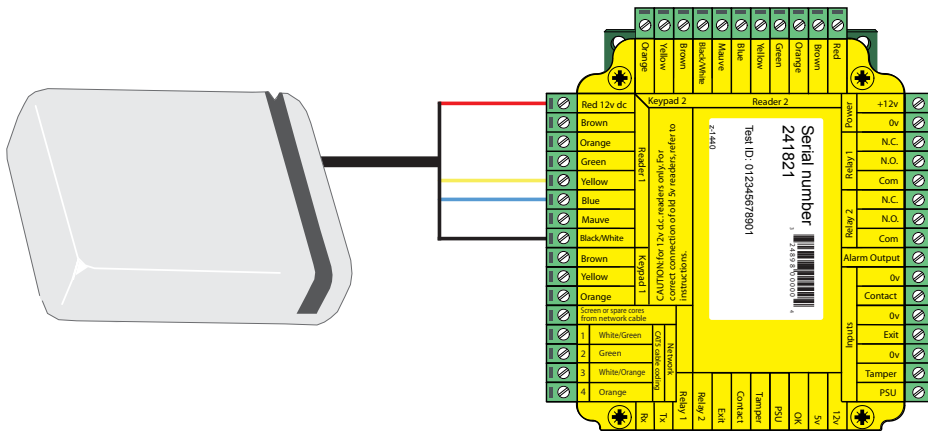
## Suitability

The reader is designed to work with a Net2 ACU and must be connected to a spare reader port. This must be allowed for when designing a system as this ACU will not be available for both read-in and read-out operation. If no free port is available, a dedicated ACU will be required for the desktop reader.

All Paxton Access Ltd proximity tokens and Magstripe cards will work with this reader. They include the proximity card, proximity keyfob, proximity ISO card and the magstripe card.

The reader is intended for internal desktop use only.

## Wiring



## Cable extensions

The reader comes with 3 metres of cable. Readers can be extended using Belden CR9540 10-core overall screened cable. The maximum cable length between reader and controller is 50 metres.

## Setting up the Desktop Reader function

To configure a door reader to operate as a Desktop Reader:

- Run the Net2 software / Log In.
- Select the Doors menu in the left hand pane.
- Click on the door you wish to act as a desktop reader.
- Select the relevant reader tab, and change the reader operating mode to 'Desktop Reader'
- The PC displays 'Would you like to accept desktop reader events from this reader at the PC?'; click 'Yes'

The door reader will now act as a Desktop Reader, enabling you to add new tokens or edit existing ones.

KP Reader - First set the keypad type to 'None', or the Desktop Reader option will not be available.



### Technical Support



+44 (0)1273 811011



support@paxton.co.uk

Technical help is available: Monday - Friday from 07:00 - 01:00 (GMT)  
Saturday from 09:00 - 13:00 (GMT)

Documentation on all Paxton Access products can be found on our web site - <http://www.paxton.co.uk/>

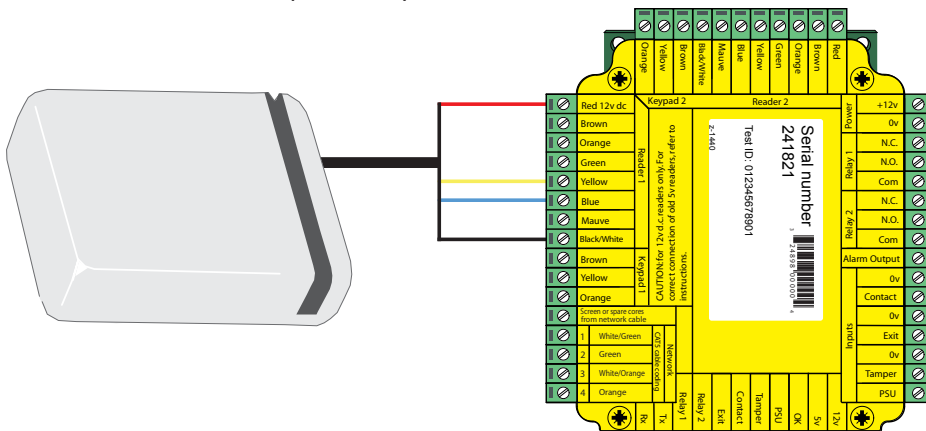
### Suitability

The reader is designed to work with a Net2 ACU and must be connected to a spare reader port. This must be allowed for when designing a system as this ACU will not be available for both read-in and read-out operation. If no free port is available, a dedicated ACU will be required for the desktop reader.

All Paxton Access Ltd proximity tokens and Magstripe cards will work with this reader. They include the proximity card, proximity keyfob, proximity ISO card and the magstripe card.

The reader is intended for internal desktop use only.

### Wiring



### Cable extensions

The reader comes with 3 metres of cable. Readers can be extended using Belden CR9540 10-core overall screened cable. The maximum cable length between reader and controller is 50 metres.

### Setting up the Desktop Reader function

To configure a door reader to operate as a Desktop Reader:

- Run the Net2 software / Log In.
- Select the Doors menu in the left hand pane.
- Click on the door you wish to act as a desktop reader.
- Select the relevant reader tab, and change the reader operating mode to 'Desktop Reader'
- The PC displays 'Would you like to accept desktop reader events from this reader at the PC?'; click 'Yes'

The door reader will now act as a Desktop Reader, enabling you to add new tokens or edit existing ones.

KP Reader - First set the keypad type to 'None', or the Desktop Reader option will not be available.

