

PROXIMITY slimline reader (697-411BL/WT)

Contents in box

PROXIMITY slimline reader
PROXIMITY slimline back plate
Fitting kit
PROXIMITY slimline reader instructions

Suitability

Products

The reader is designed to work with the Switch2 control unit (405-321) and the PC based Net2 control unit (489-334).

PROXIMITY cards

All Paxton Access Ltd PROXIMITY tokens will work with this reader. They include the PROXIMITY card, PROXIMITY keyfob and PROXIMITY ISO card.

Read range

The PROXIMITY slimline reader has a read range of 100mm when PROXIMITY cards are used in normal conditions and 55mm when PROXIMITY keyfobs are used in normal conditions.

Environment

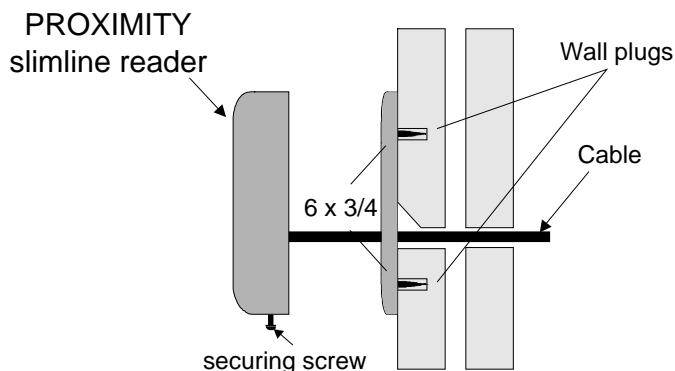
The reader will operate between -20°C and +70°C. It can be mounted onto a metal frame, but this may reduce the read range.

Where to use PROXIMITY slimline

YES	NO	Reason why not
Low to high use doors	Behind Metal	RF will not penetrate
Inside and outside	Very near to TV or Monitor	RF will interfere with reader
No need to shelter from the elements		
Narrow door frames and inside walls		
Architecturally sensitive installations		

Fitting

1. Using the base plate as a template, mark and drill holes for the cable and the four screws.
2. Tap the four small raw plugs into the wall. Fix the base plate securely with the screws provided.
3. Feed the reader cable through the back plate and hang the reader at an angle over the back plate. Then slot the reader into the groove at the top of the base plate and press the reader into place.
4. Screw in the securing screw at the base of the reader.

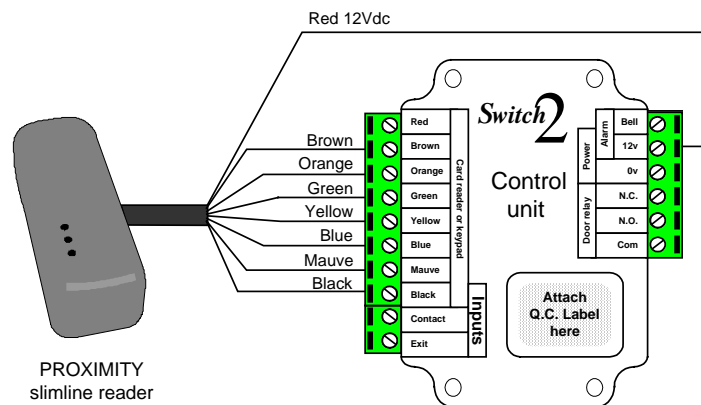
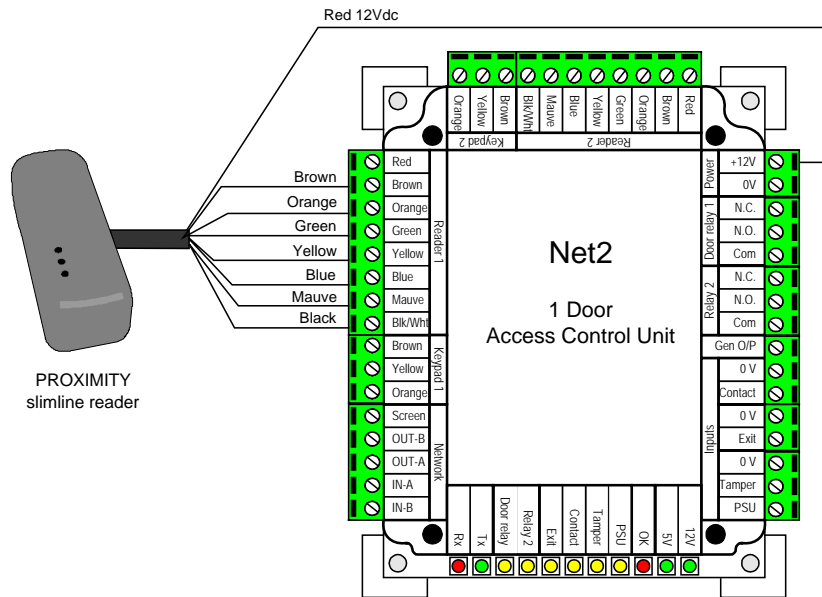


IMPORTANT NOTE: When fitting 2 readers for read in and read out, the PROXIMITY readers **MUST** be more than 1ft apart!

Wiring

NOTES

The reader will be sent out with an RJ45 connector on it. This can be cut off and the cable can be stripped back ready for wiring.



**** IMPORTANT ****

Please note that the red wire should be connected to 12V only. This supersedes the information in the trade brochure.

Cable extensions

The reader comes with 3 Meters of non-screened cable. The type of cable used to extend this distance will effect the maximum distance the reader can be extended. All distances are assuming that the reader is wired according to our instructions.

ACU used	Maximum distance from ACU	
	CR9538	CR9540
Net2 ACU	100M	100M
Switch2 ACU	100M	100M

Be sure, when extending the cable distance beyond 3M, to keep the colours the same throughout the run.