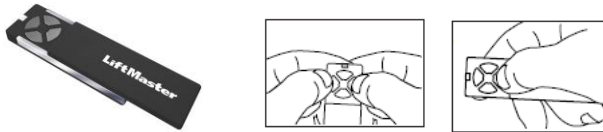
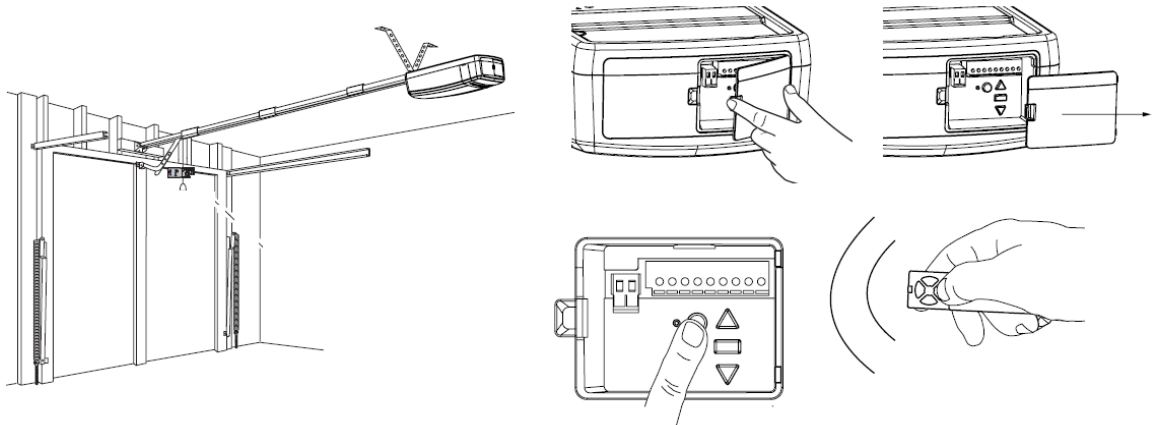


How to program a new TX4UNIS remote into an EVO garage door opener, LM55, 60,80,100,130EV.

1. Take the new TX4UNIS remote and slide the cover down to expose the four buttons. Press and hold the left and right hand buttons together and the white LED is flashing. Keep holding until the LED stays on constant and then let go. Now press the top button on the remote once and the LED flashes. Now press the bottom button once and the LED goes out. The top button of the remote is now set to EVO 433Mhz code mode to match the receiver.



2. Locate the round yellow "learn button" at the back of the opener.
3. Now press & let go of the yellow LEARN button, yellow LED indicator light comes on.
4. Press & hold the button on the remote control, for 3 seconds, and the LEDs light will flash. Now let go of the remote control button, LED goes out, and the remote is ready to use.



To delete all remote control codes. Press & hold the yellow button until the orange LED goes out, then let go. (Approximately 9 seconds).