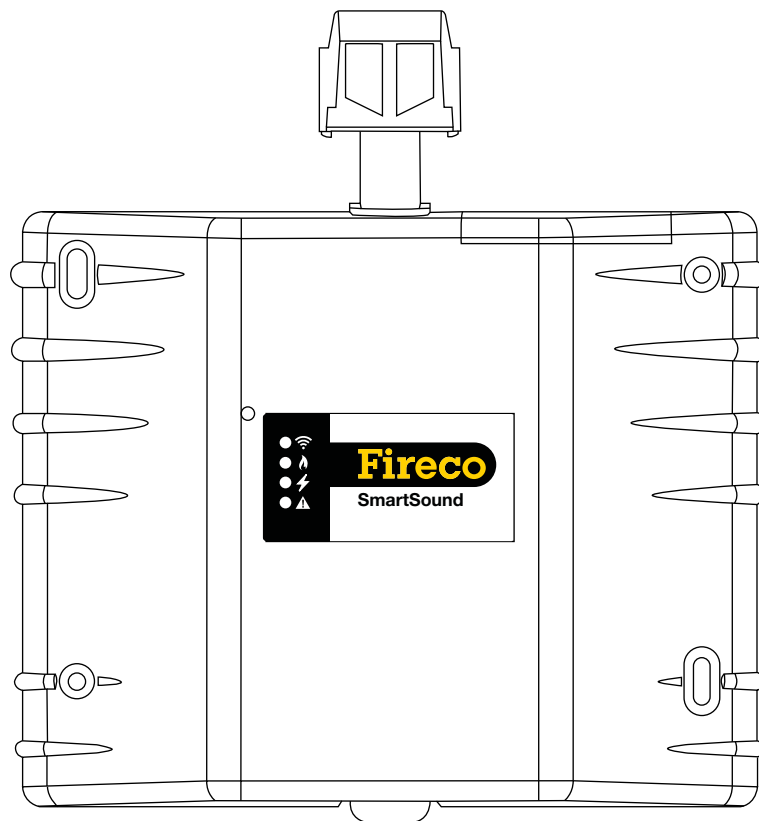


Fireco

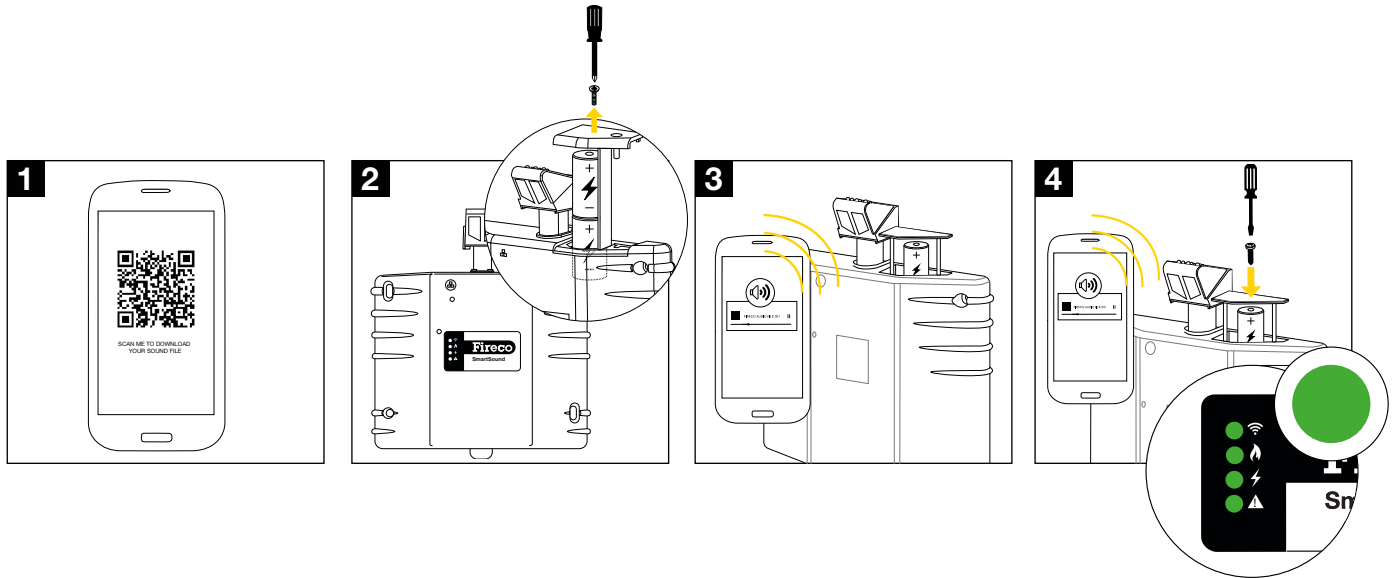
Compliance Made Easy

Dorgard SmartSound Userguide



Carpet and Floor Protection

If Dorgard SmartSound is holding the door open and the door is pulled, the rubber foot may mark the flooring. Activate this feature to avoid this.



1. Using your smartphone, go to fireco.online/carpet or scan the QR code to download the sound file
2. Remove the battery
3. Press play on the sound file with the phone next to the unit
4. Whilst the sound file is playing re-insert the batteries
5. All lights will show green to confirm the application

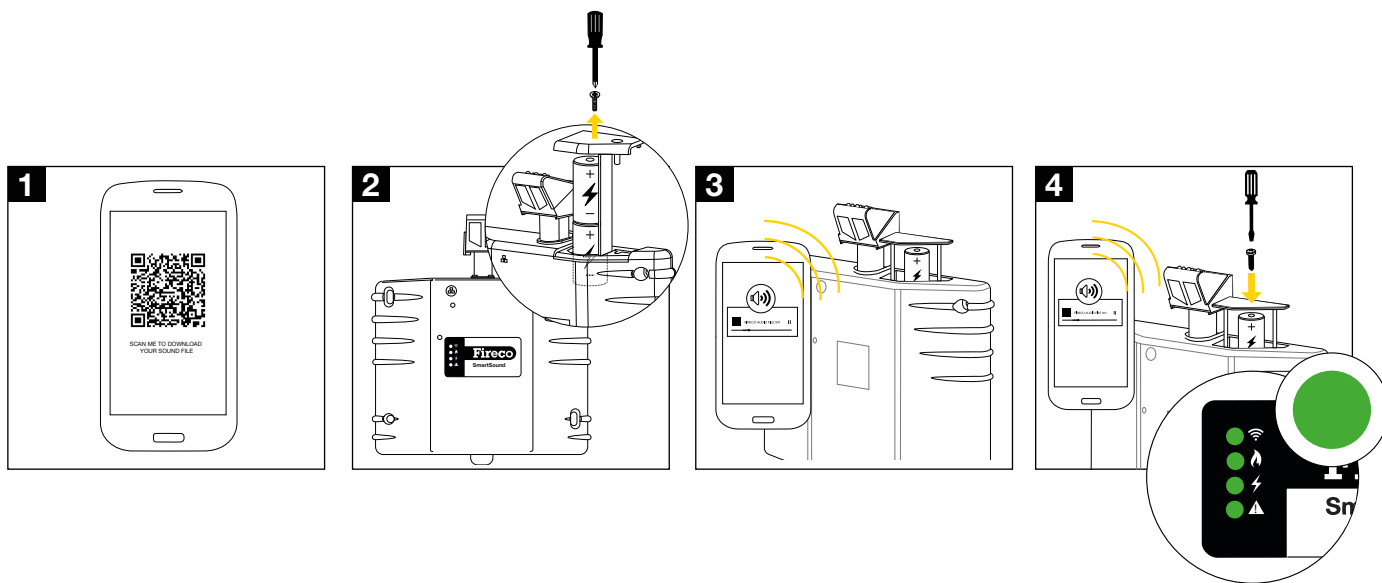


fireco.online/carpet

Filter Out Short Alarms

Adjust your unit to close the door after an alarm has been going off for a certain amount of time.

For example, schools often use the same sounder for fire alarms (which last for a long time) and lesson change bells (which last only for a few seconds). This feature allows shorter alarm sounds to be ignored so that the door remains open and only closes on the real fire alarm.



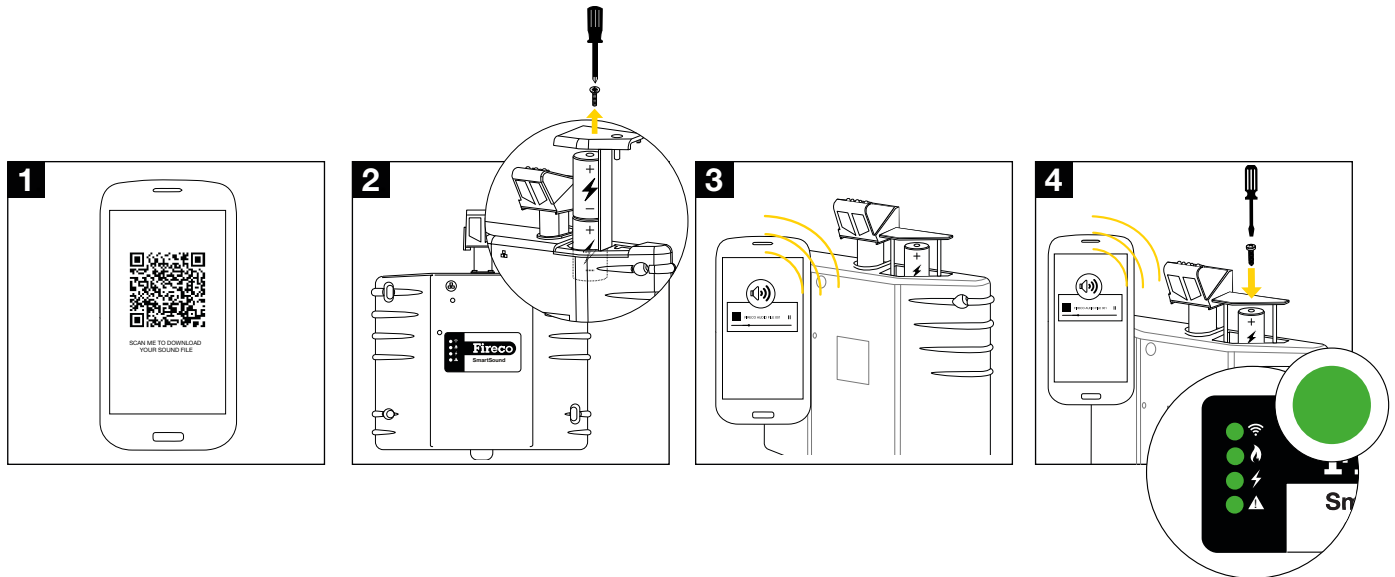
1. Using your smartphone, go to fireco.online/filter-12 or scan the QR code to download the sound file
2. Remove the battery
3. Press play on the sound file with the phone next to the unit
4. Whilst the sound file is playing re-insert the batteries
5. All lights will show green to confirm the application



Delay Door Closure

Give people more time to evacuate the building before the doors close.

This is particularly useful if there are occupants who are disabled or have limited mobility.



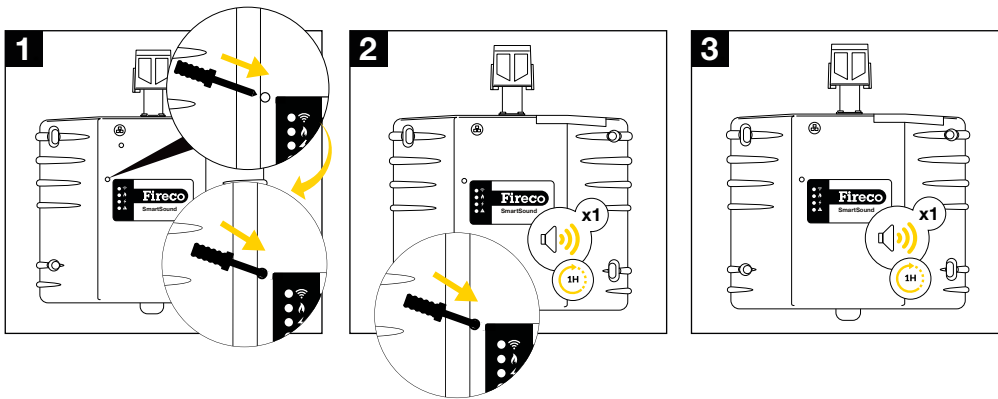
1. Using your smartphone, go to fireco.online/delay-60 or scan the QR code to download the sound file
2. Remove the battery
3. Press play on the sound file with the phone next to the unit
4. Whilst the sound file is playing re-insert the batteries
5. All lights will show green to confirm the application



Door Close Time

Set the unit to close the door at a chosen time.

This is useful for hotels where doors need to be kept open during the day to allow easy access but closed at night to reduce noise.



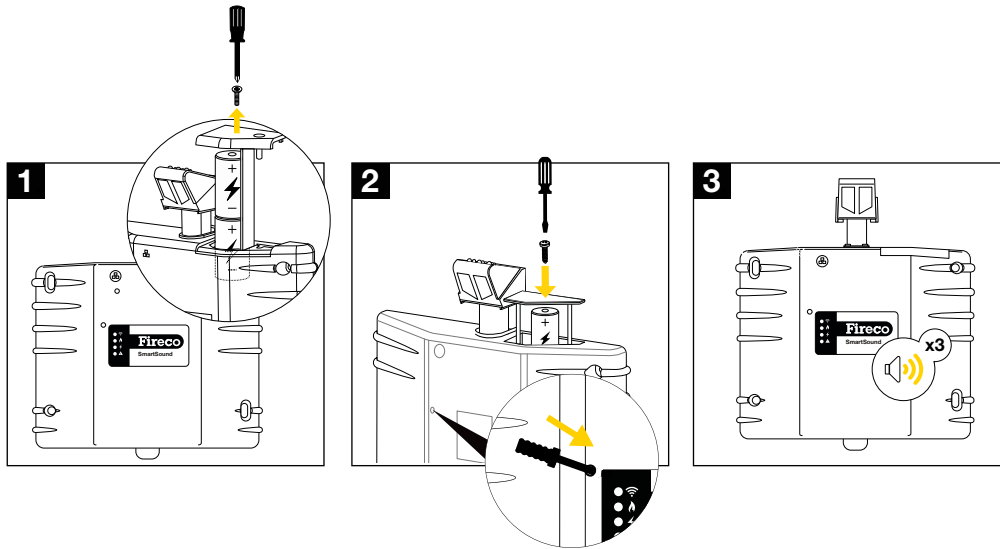
1. Insert the mini screwdriver provided into the hole on the front of the unit and press the button
2. The unit will beep once for every hour from the current time. If the time is 4pm and you want the unit to close the door at 8pm, you need to let the unit beep 4 times before pressing the button again
3. The unit will beep back the number of hours you have set to confirm

To change the time you have set, remove and re-insert the batteries and follow steps 1-3.

Note: If you are applying the other features, set up Door Close Time last.

Factory Reset

By factory resetting your unit, all features applied will be removed.



1. Remove the batteries
2. Hold down the button on the front of the unit using the mini screwdriver provided and reinsert the batteries- this must be done simultaneously
3. The unit will beep 3 times to confirm the reset

Dorgard SmartSound Specifications

Power	Two x LR14 C-size batteries (included)
Expected battery life	Three years
Colour	Black or white
Width	195mm
Height	205mm
Depth	45mm
Weight	700g
Activation	SmartSound listening technology
Casing	ABS plastic
Hold open positions	Can hold the door at any angle
Maximum door size	Power size 7 (max of 160kg and 1600mm width)
Audible warning	Warns of door closing on fire or fault
Fire rating	Suitable for up to 60-minute fire doors
Compliant to	EN1155, EN1634, EMC Directive, Radio Equipment Directive, CE Marked
Suitable for	Standard (category B) installations under BS7273-4 2015

It is never safe to wedge open a fire door.