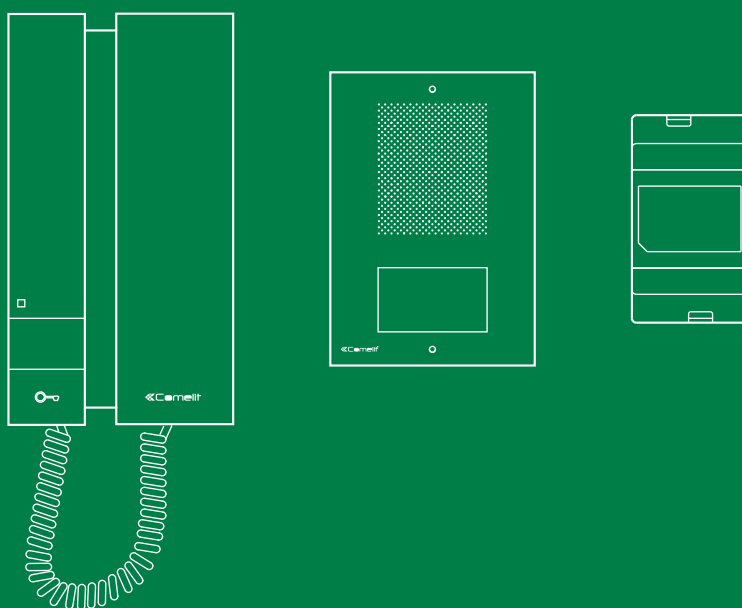


EN

TECHNICAL
MANUAL



Single-family Kit
KAE0061

 **Comelit**[®]
Passion. Technology. Design.

Warning

Intended use

This Comelit product was designed for use in the creation of audio and video communication systems in residential, commercial or industrial settings and in public buildings or buildings used by the public.

Installation

All activities connected to the installation of Comelit products must be carried out by qualified technical personnel, with careful observation of the indications provided in the manuals / instruction sheets supplied with those products.

Wires

Disconnect the power supply before carrying out any operations on the wiring.

Use wires with a cross-section suited to the distances involved, observing the instructions provided in the system manual.

We advise against running the system wires through the same duct as the power cables (230V or higher).

Safe usage

To ensure Comelit products are used safely:

- carefully observe the indications provided in the manuals / instruction sheets
- make sure the system created using Comelit products has not been tampered with / damaged.

Maintenance

Comelit products do not require maintenance aside from routine cleaning, which should be carried out in accordance with the indications provided in the manuals / instruction sheets.

Any repair work must be carried out

- for the products themselves, exclusively by **Comelit Group S.p.A.**,
- for systems, by qualified technical personnel.

Disclaimer

Comelit Group S.p.A. does not assume any responsibility for

- any usage other than the intended use
- non-observance of the indications and warnings contained in this manual / instruction sheet.

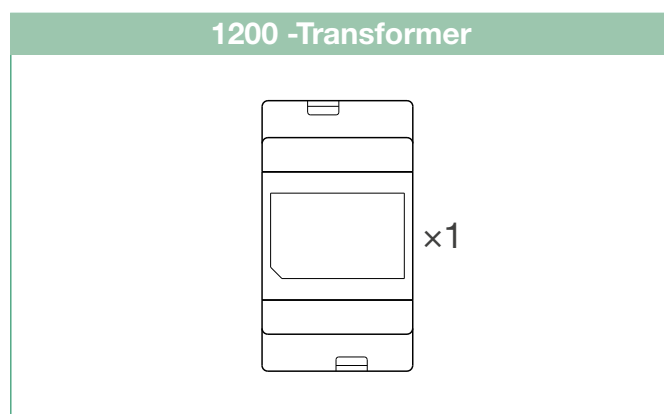
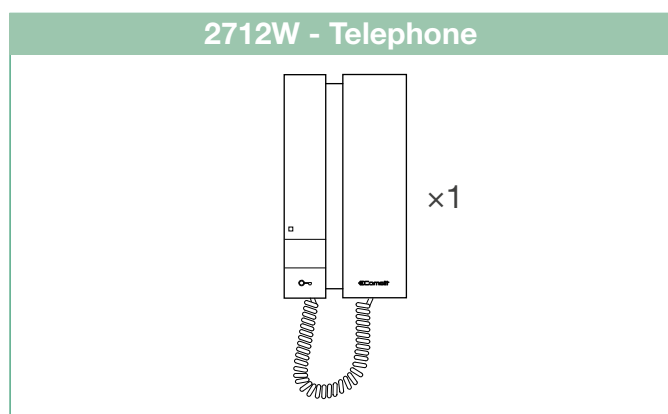
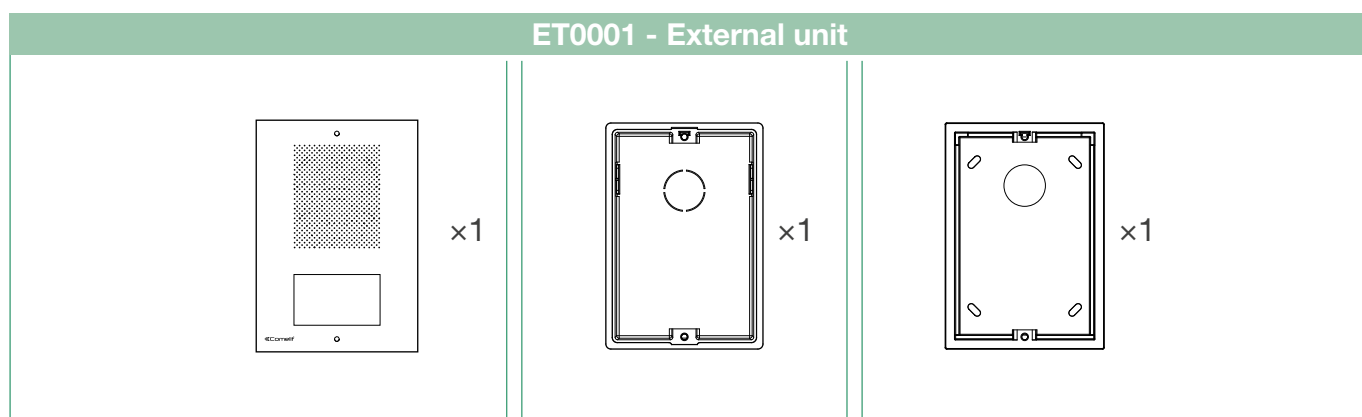
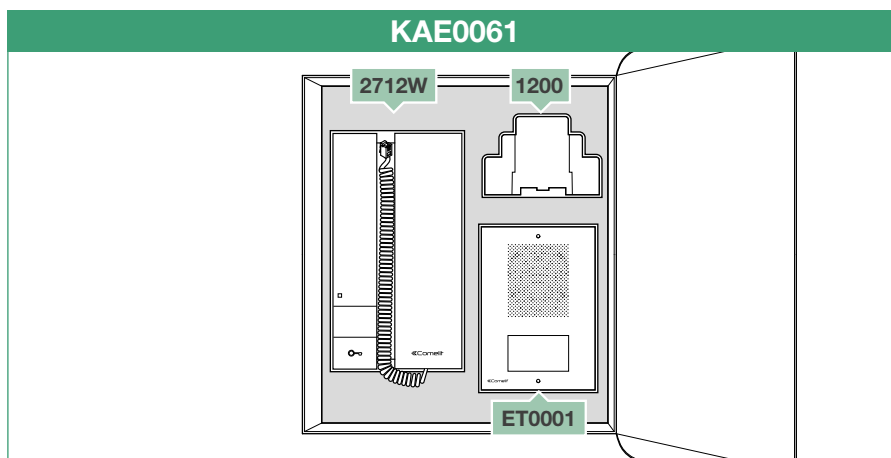
Comelit Group S.p.A. nonetheless reserves the right to change the information provided in this manual / instruction sheet at any time and without prior notice

Table of contents

Package contents.....	3	Internal unit art. 2712W.....	7
Transformer art. 1200.....	4	Description	7
Description	4	Installation	8
External unit art. ET0001.....	5	Wiring diagrams.....	9
Description	5	Standard system	9
Installation	6	Using pushbutton 2 for various usages	9
Nameplate holders.....	6	Connection of call repetition device	9
		Operating distances	9

Package contents

This manual includes information regarding system configuration and customisation which may be perceived as necessary by the installer.

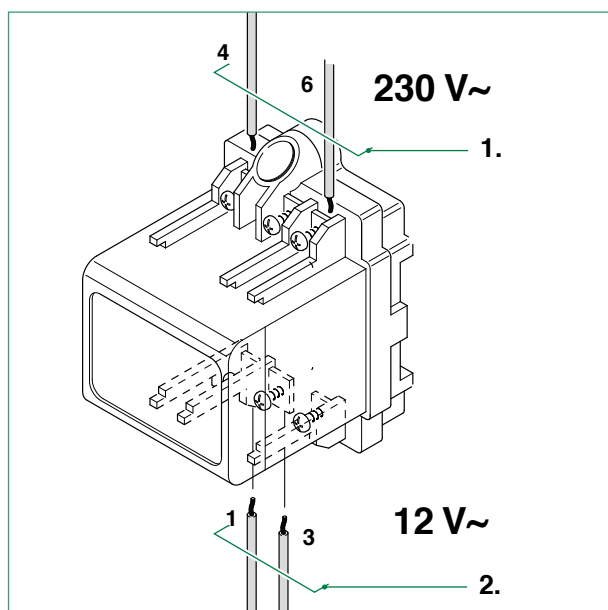


Transformer art. 1200

Description

Transformer with 230V primary, 12V AC / 15 VA secondary winding for continuous use.

Dimensions: 53 x 95 x 65 mm (3 DIN modules).



1. 230 V digital input.

2. Secondary 12 V AC output.



Disconnect the power supply before carrying out any maintenance procedures.

The electrical system of the building must be fitted with an omnipolar mains switch with a contact opening of at least 3 mm, which is capable of isolating the power supply of the device.

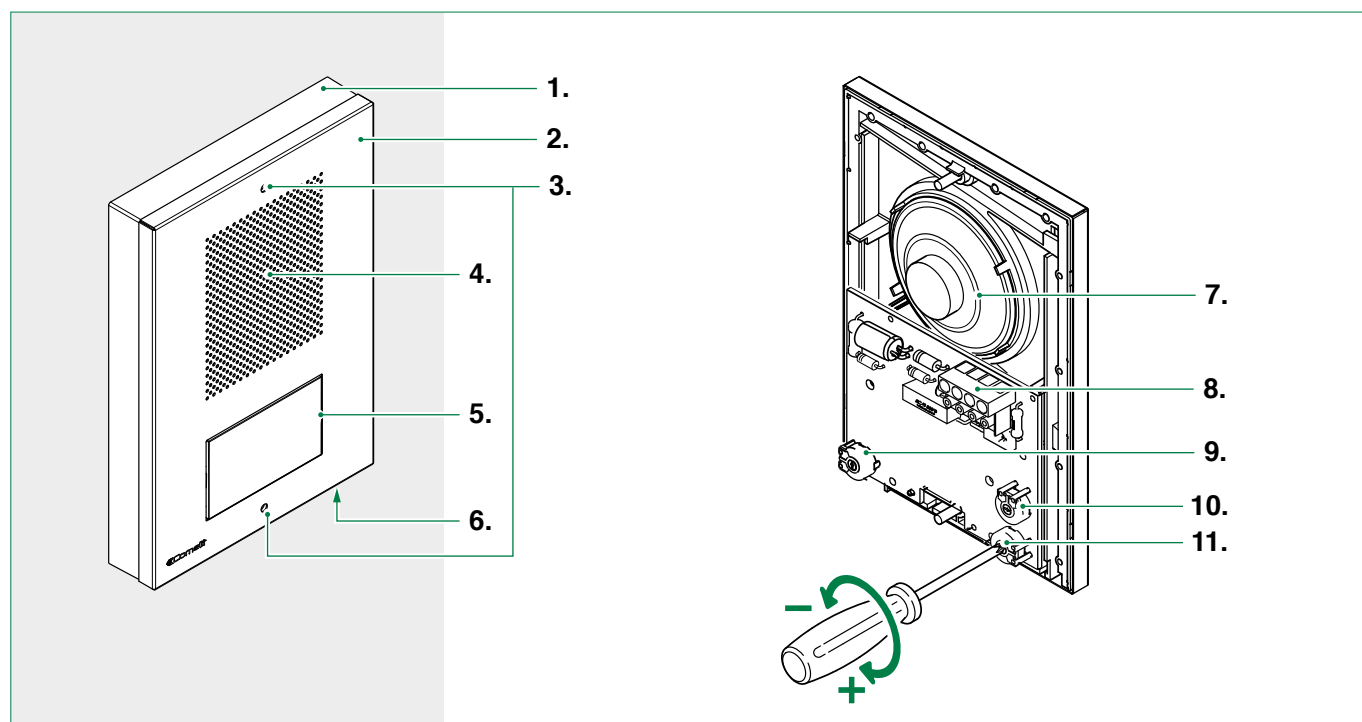
Place the protection back over the terminals and close the inspection door after every procedure.

External unit art. ET0001

Description

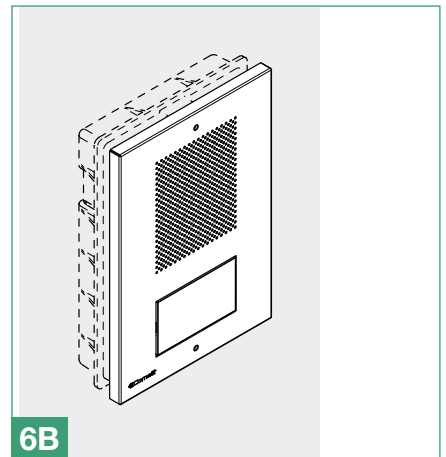
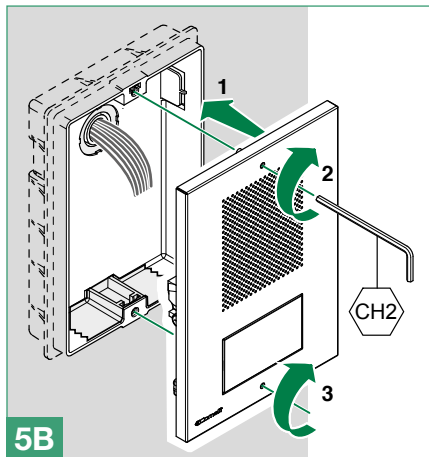
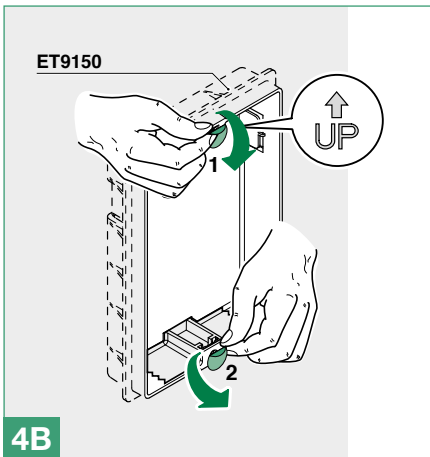
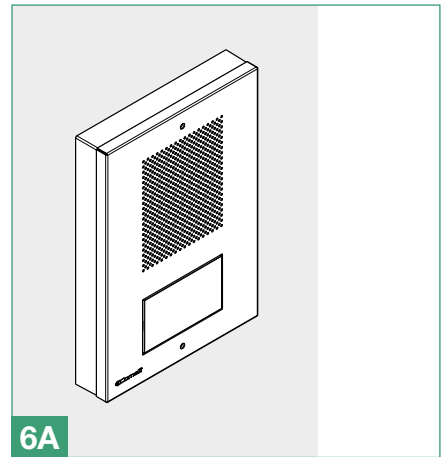
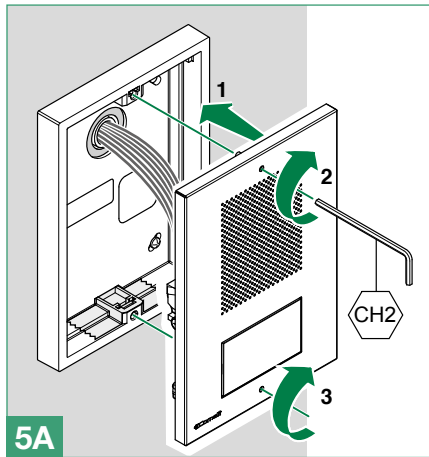
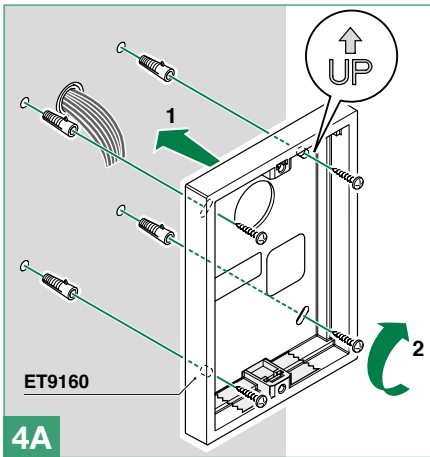
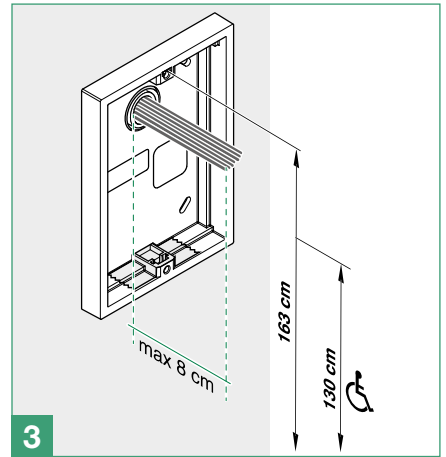
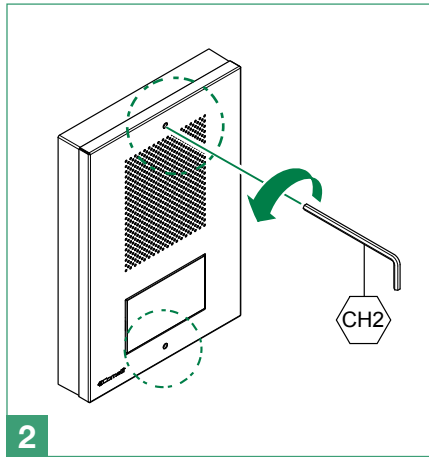
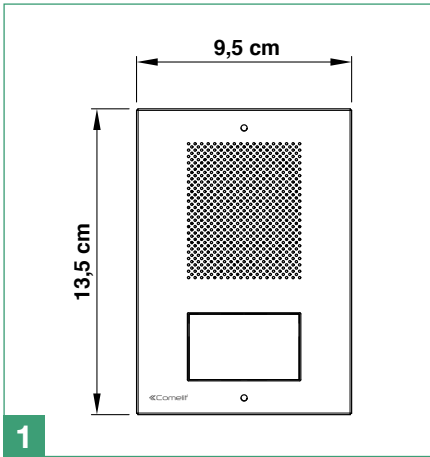
External unit complete with 1 call button, 1 wall bracket and 1 flush-mounted box.

Dimensions 95 × 135 × 26,5 mm (including wall bracket).

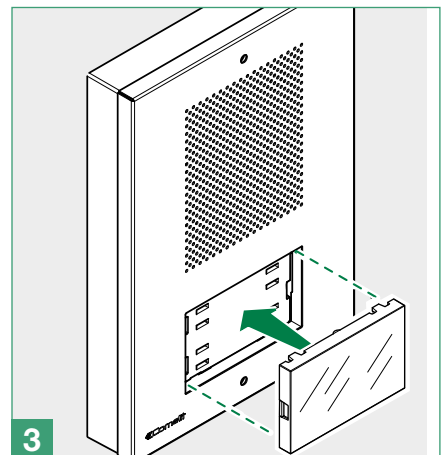
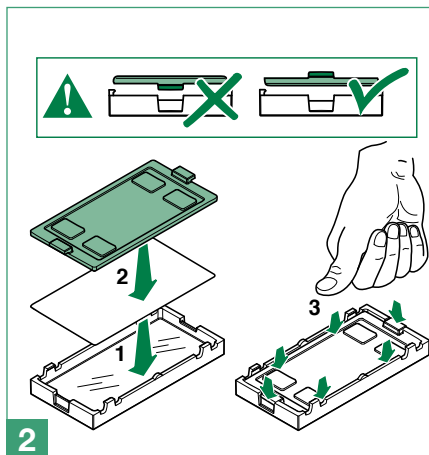
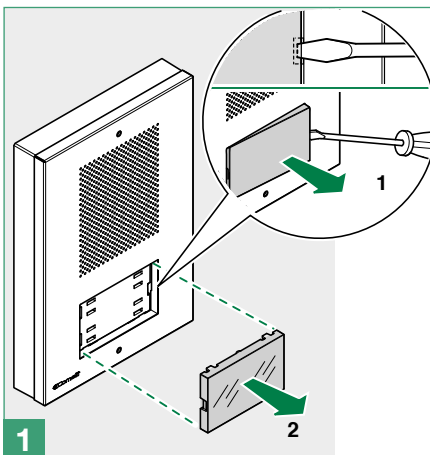


1. Surface-mounted wall bracket art. ET9160. A flush-mounted box art. ET9150 is also available
2. Stainless steel front faceplate
3. Faceplate fixing screw holes
4. Speaker
5. Call button
6. Microphone
7. Speaker
8. Terminal block for connection:
 - A B** Connection of the internal units
 - C D** Connection for electric door lock
9. **TM1** Microphone volume adjustment trimmer
10. **TM2** Balancing adjustment trimmer
11. **TM3** Loudspeaker volume adjustment trimmer

Installation



Nameplate holders

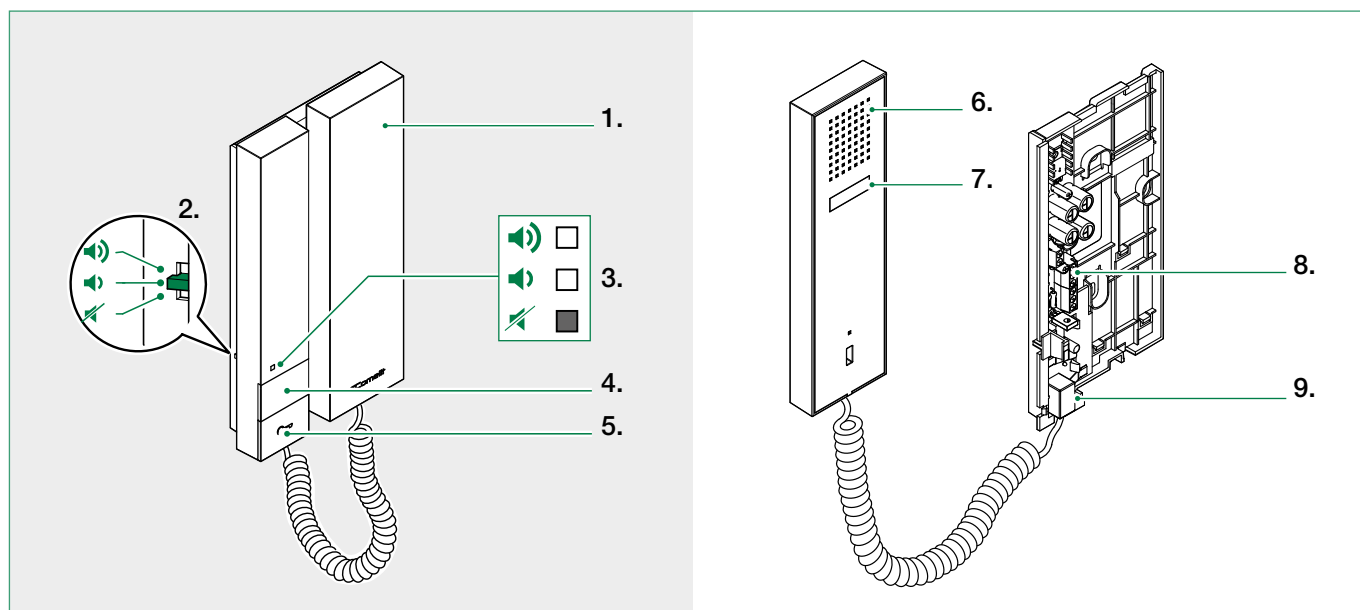


Internal unit art. 2712W

Description

Audio internal unit complete with 1 key button.

Dimensions 105×190×28 mm.



1. Handset

2. 3-position ringtone/Privacy mode selector:

High position: Maximum ringtone volume

Middle position: Medium ringtone volume

Low position: Privacy mode activation (*privacy mode* means exclusion of the call ringtone from the external unit)

3. Red indicator - Privacy enabled

4. P1 button for various services

5. Key button

6. Loudspeaker

7. Audio hook



Do not press and hold the audio hook while the handset is lifted

8. Terminal block:

B A Connection of the external units

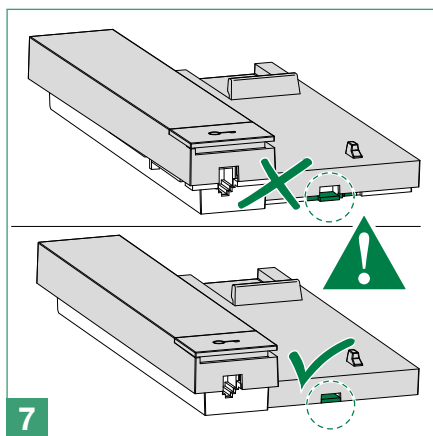
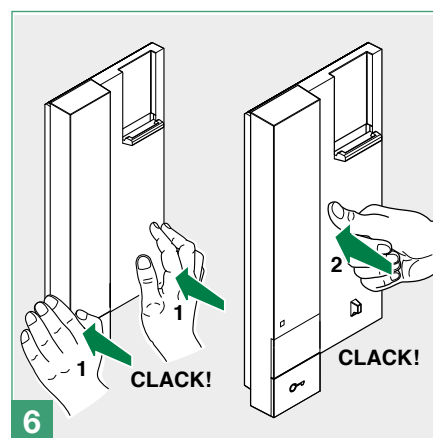
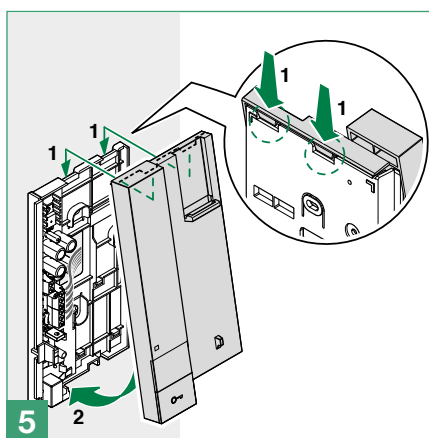
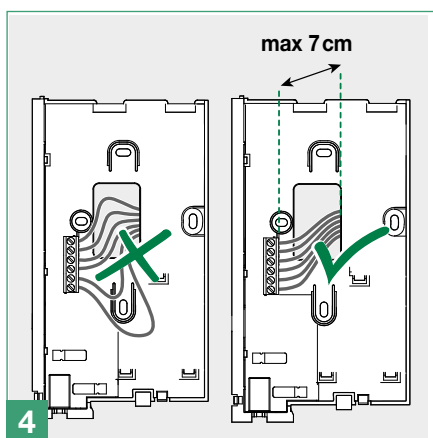
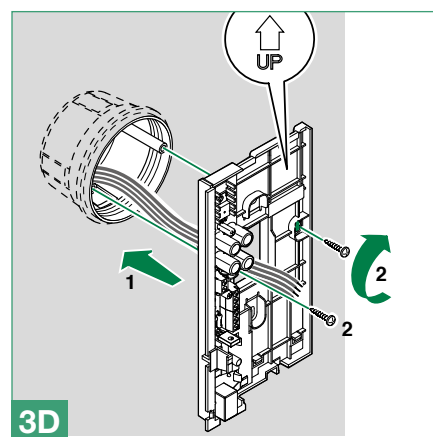
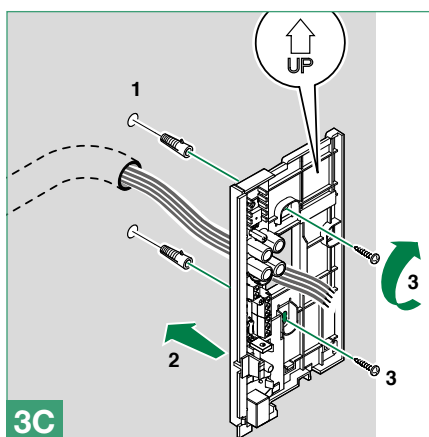
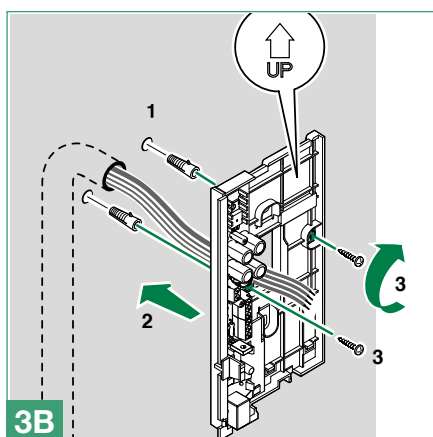
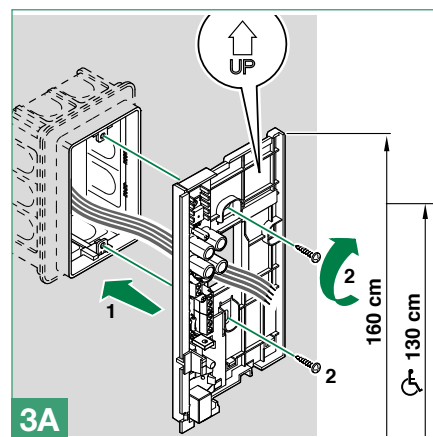
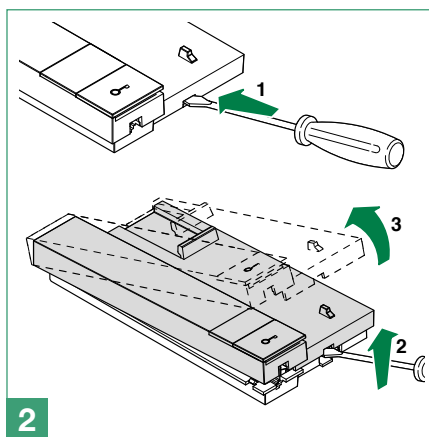
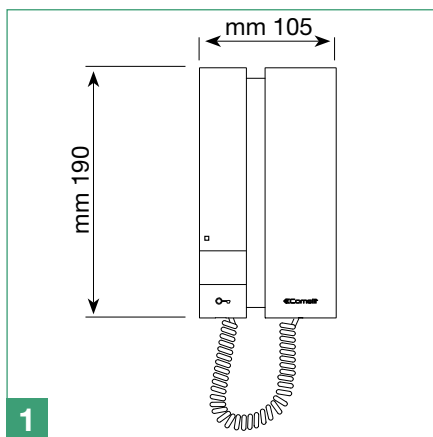
S- S+ Connection of the call repetition device

12~ 0~ Power supply terminals

P1 C Terminals for pushbutton P1 C. NO. 24V 100mA dedicated to various services

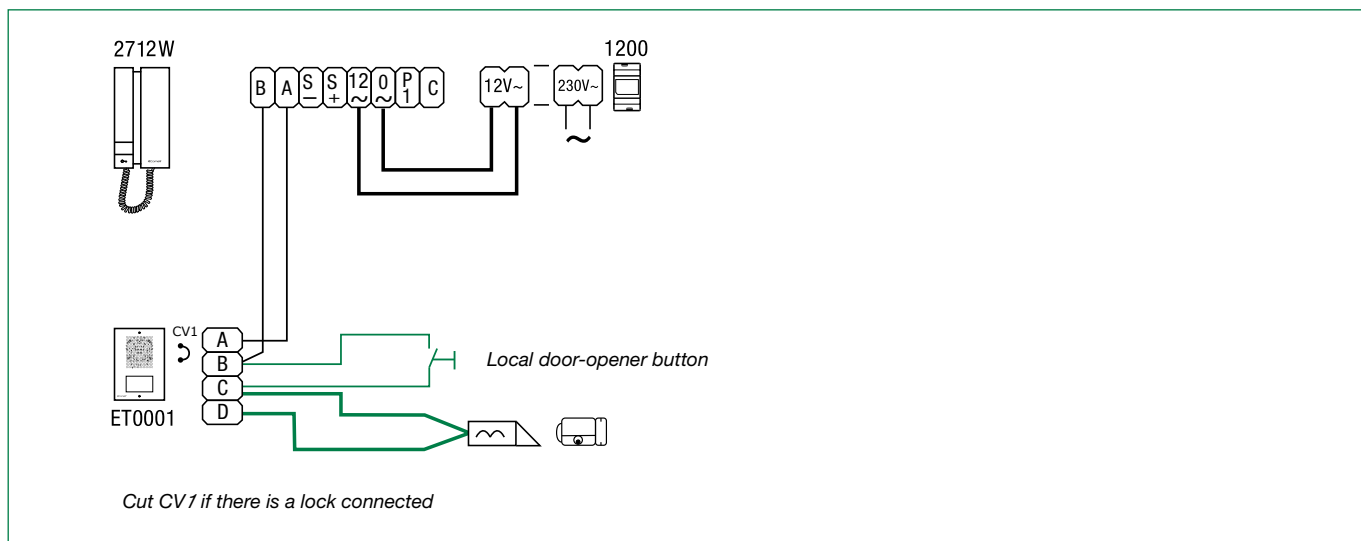
9. Handset connector

Installation

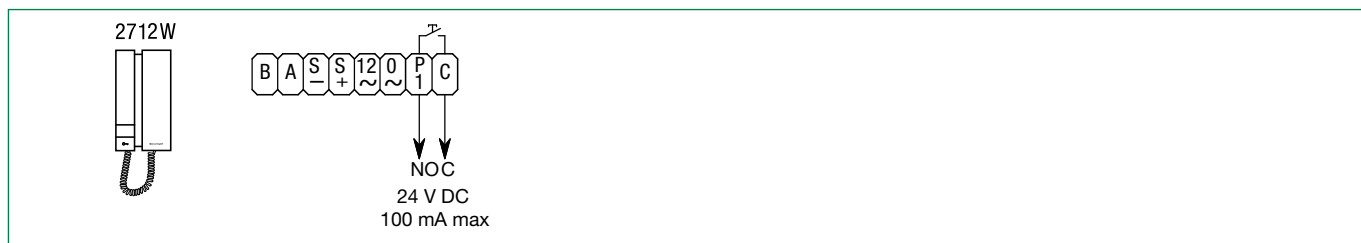


Wiring diagrams

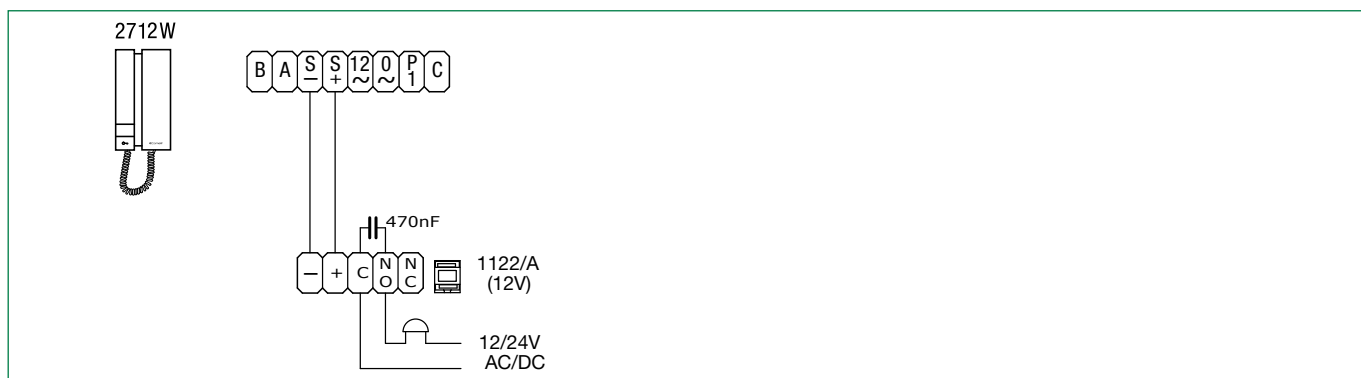
Standard system



Using pushbutton 2 for various usages



Connection of call repetition device



Operating distances

0,5 mm ² ————— 50 m	0,5 mm ² ————— 25 m	0,5 mm ² ————— 10 m	0,5 mm ² ————— 10 m
1 mm ² ————— 100 m	1 mm ² ————— 50 m	1 mm ² ————— 20 m	1 mm ² ————— 25 m
2 mm ² ————— 200 m	2 mm ² ————— 100 m	2 mm ² ————— 30 m	2 mm ² ————— 50 m

CERTIFIED MANAGEMENT SYSTEMS



www.comelitgroup.com

Via Don Arrigoni, 5 - 24020 Rovetta (BG) - Italy

