

TECHNICAL INSTALLATION MANUAL

AUTOMATION FOR BARRIERS

BERTA



WARNING!! Before installing, thoroughly read this manual that is an integral part of the pack

Our products if installed by qualified personnel capable to evaluate risks, comply with norms UNI EN 12453, EN 12445



The CE mark conforms to European directive EEC 89/336 + 92/31 + 93/68 D.L. 04/12/1992 N. 476.

INDEX

Pag.

PACKING CONTENTS	2
TECHNICAL DATA.....	2
DIMENSIONS	3
CONSIDERATIONS FOR INSTALLATION.....	3
INSTALLATION.....	4-5-6
TROUBLESHOOTING.....	7
SAFETY PRECAUTIONS	8

PACKING CONTENTS

1- BARRIER

1- BAR SUPPORT

1- RELEASE HANDLE

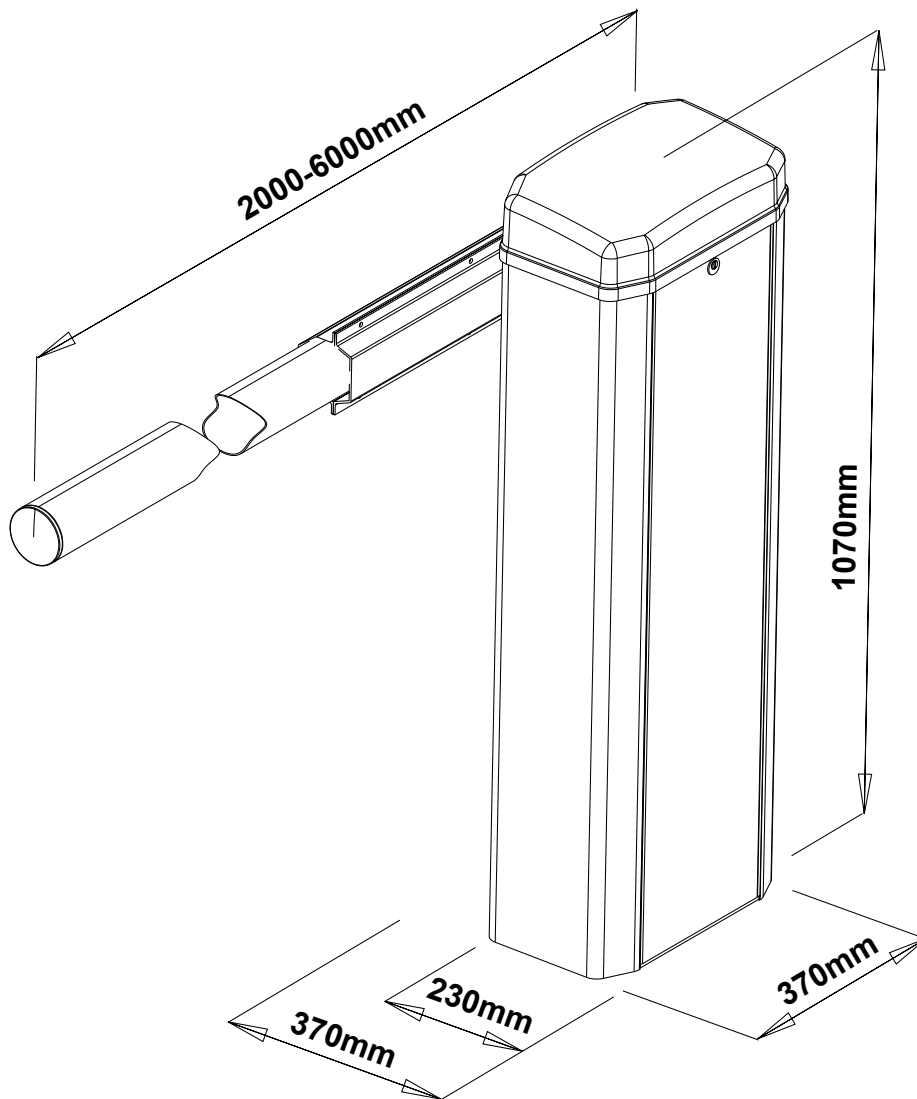
1- CONDENSER *(per versioni 230Vca)*



TECHNICAL DATA

	BERTA	BERTA FAST VERSION
Maximum length of bar	6 mt	4 mt
Motors power supply	230Vac	
Motor power	250 W	
Motor RPM	1400	
Condenser	12,5 µF	
Mechanical unlock for emergency manoeuvre	Mechanical	
Working temperature	-20° C / +55° C	
Weight	45Kg	
Protection rating	IP 44	
Limit switch	Electromechanical	
Opening time	10 sec	5 sec

DIMENSIONS



CONSIDERATIONS FOR INSTALLATION

- The installation and testing operations must be performed by qualified personnel in order to guarantee the proper and safe operation of the automatic gate.
- The company declines any responsibility for damage caused by incorrect installations due to incompetence and/or negligence.

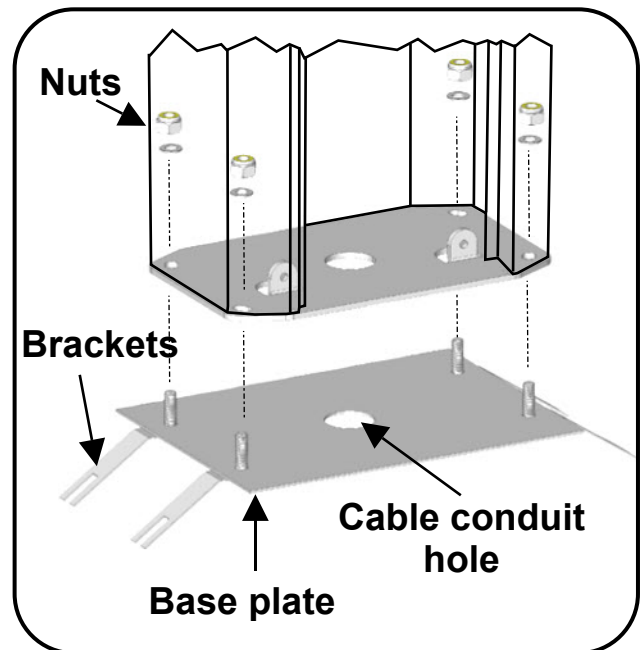
INSTALLATION

Set up an electrical multi-duct conduit in the middle of the foundation of the barrier, corresponding to the central hole (corrugated - diameter 25 - 50mm).

INSTALLATION WITH BASE PLATE (OPTIONAL)

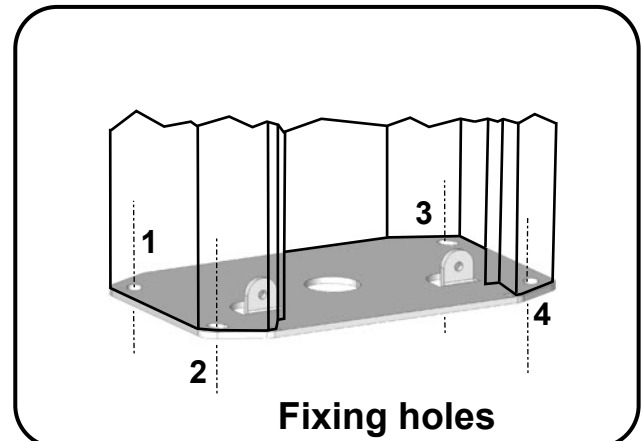
Take the floor plate and bend the brackets as needed. Dig a suitably sized hole in the ground. Insert the electrical conduit into the cable conduit hole of the floor plate. Level and cement the floor plate.

Place the barrier on the floor plate and fasten it with the self-locking M12 nuts supplied.



INSTALLATION WITHOUT BASE PLATE

Place the barrier and block it through the four holes present internally on the basis.

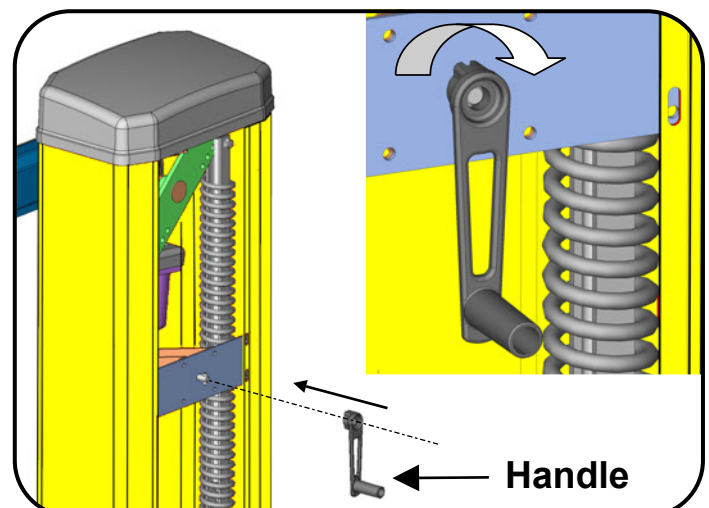
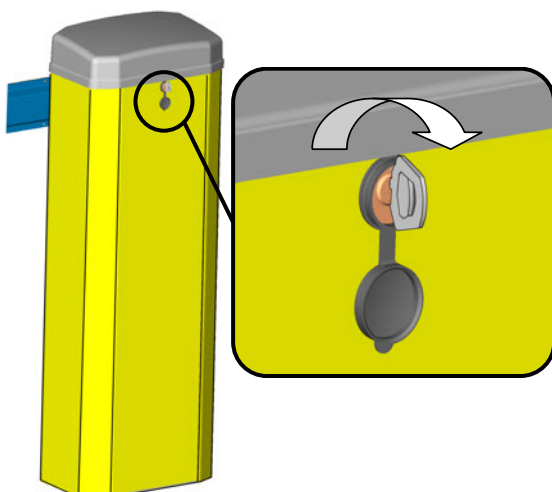


MANUAL OPENING

Open the cover with the key.

Insert the handle provided in the pin and turn until reaching the desired opening.

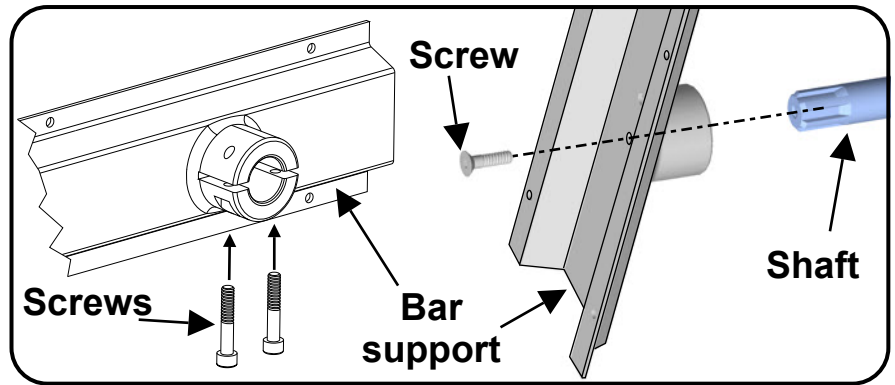
Please note that when the cover is opened the operator goes into block



SHAFT SUPPORT

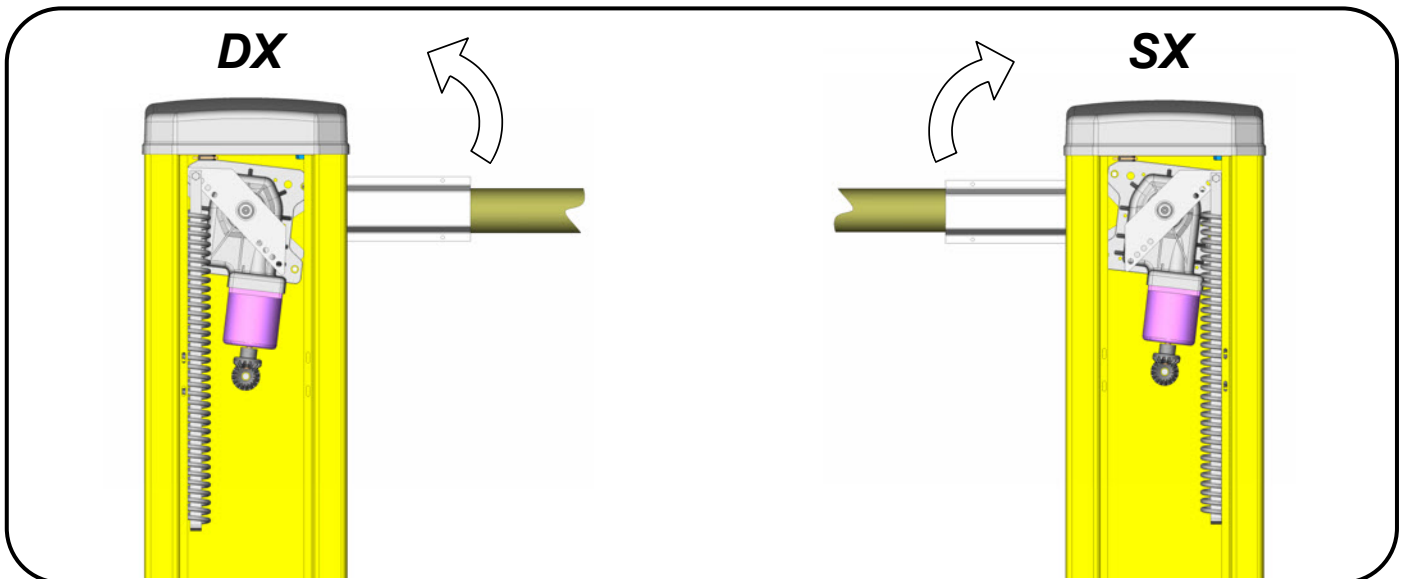
Insert the bar support on the shaft and fasten it with M8 screws

Insert the bar in the support and tighten the screws

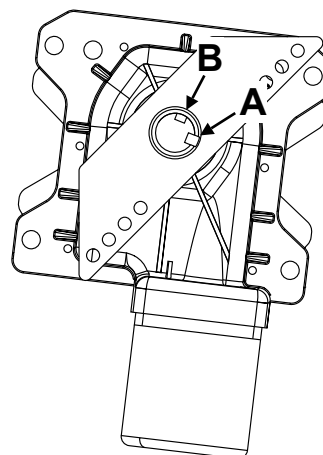
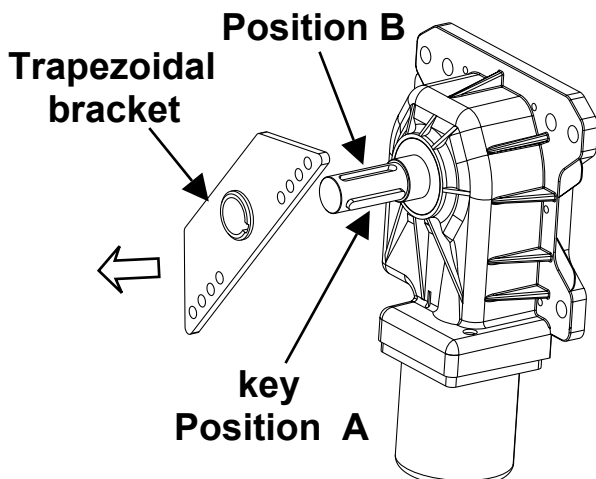
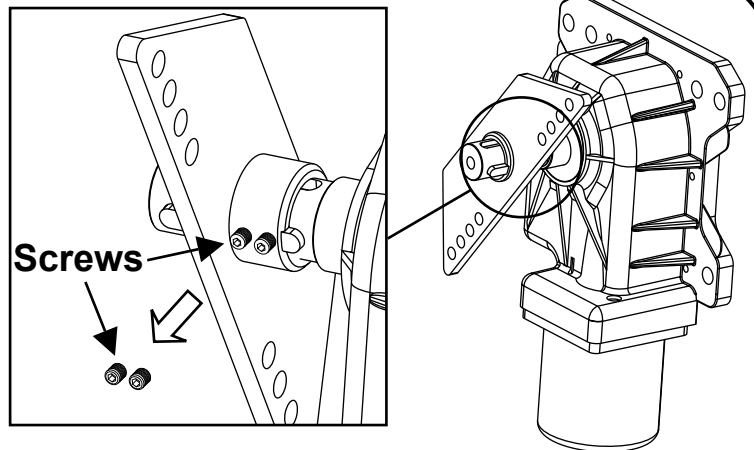


OPENING DIRECTION

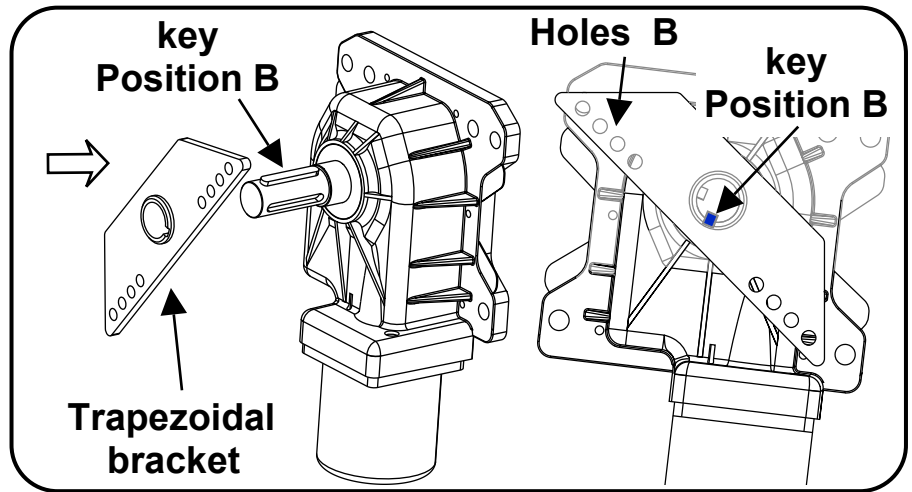
To change the direction of opening from the left (standard) to the right proceed as follows:



- Release the spring
- Remove the trapezoidal bracket by unscrewing the two screws.
- Change the position of the key from position **A** to position **B**



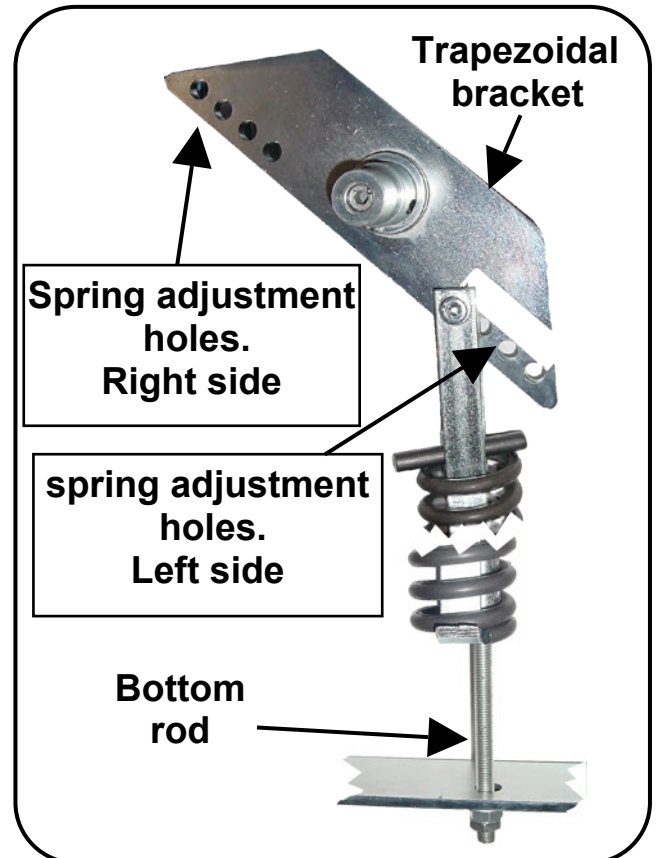
- Replace the trapezoidal bracket and tighten the screws
- Hook the spring in the opposite position (holes B)



SPRING REGULATION

- Effectuate manually the opening operation.
- Acting on the bottom rod, put a light tension on the spring.

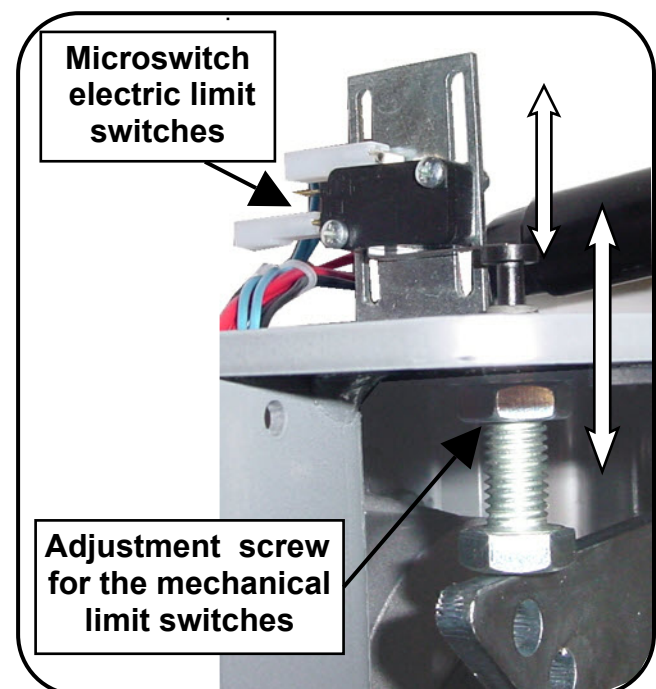
The trapezoidal bracket has four holes which regulate the force of the spring according to the length of the bar. The force of the spring is reduced the more it is placed internally.



LIMIT SWITCHES REGULATIONS

It's possible to adjust the limit switches position, both the mechanical (*placed inside the barrier*) and electrical ones (*easily accessible, as they are placed under the superior cover*).

N.B. When one of the mechanical end-stroke switches is repositioned, it is necessary to relocate the electronically controlled one accordingly, and then repeat the stroke selecting procedure



TROUBLESHOOTING

PROBLEM	PROBABLE CAUSE	SOLUTION
On giving a command with the remote control or with the key-switch, the barrier doesn't open or the motor doesn't start	230 volt mains voltage absent	Check master switch
	Emergency STOP present	Check for any STOP selectors or commands. If not used, check jumper on STOP contact input on the control board
	Fuse blown	Replace with one of same value.
	Power cable of motor or motors not connected or faulty.	Connect the cable to appropriate terminal or replace.
	The photocell is not functioning or the beam is interrupted	Check the connection, remove any obstacle across the beam
On giving a command with the remote control, the barrier doesn't open but works with the key command	The remote control has not been memorised or the battery is flat	Carry out the remote control learning procedure on the radio receiver or replace the battery with a new one..
The barrier starts, but stops immediately	The force of the motor or motors is insufficient	Modify the value with the FORCE trimmer on the control unit

N.B. - If the problem persists, contact your Retailer or the nearest Service Centre

SAFETY PRECAUTIONS

These warnings are an essential, integral part of the product and must be given to the user. They provide important indications on the installation, use and maintenance and must be read carefully. This form must be preserved and passed on to subsequent users of the system. The incorrect installation or improper use of the product may be dangerous.

INSTALLATION INSTRUCTIONS

- The installation must be performed by professionally skilled personnel and in compliance with current local, state, national and European legislation.
- Before beginning the installation, check the integrity of the product.
- The laying of cables, electrical connections and adjustments must be workmanlike performed.
- The packing materials (cardboard, plastic, polystyrene, etc.) are a potential hazard and should be disposed of correctly and not left within reach of children.
- Do not install the product in potentially explosive environments or environments disturbed by electromagnetic fields. The presence of inflammable gases or fumes is a grave danger to safety.
- Set up a safety device for overvoltage, a disconnecting and/or differential switch suitable for the product and conforming to current standards.
- The manufacturer declines any and all responsibility for product integrity, safety and operation in the event incompatible devices and/or components are installed.
- Solely original spare parts should be used for repairs and replacements.
- The installer must provide all the information relating to the operation, maintenance and use of the individual parts, components and system as a whole.

WARNINGS FOR THE USER

- Read the instructions and enclosed documentation carefully.
- The product must be used for the express purpose for which it was designed. Any other use is considered improper and therefore hazardous. In addition, the information given in this document and in the enclosed documentation may be subject to modifications without prior notice. It is given as an indication only for product application. The company declines any responsibility for the above.
- Keep products, devices, documentation and anything else provided out of reach of children. In the event of maintenance, cleaning, breakdown or faulty operation of the product, cut off the power and do not attempt to operate on the product. Contact solely the professionally skilled personnel responsible for these operations. Failure to adhere to the above indications may be dangerous.

The data and images are for guidance only

VDS reserves the right to change at any time characteristics of the products described in its sole discretion, without notice.



**Via Circolare p.i.p. N° 10
65010 Santa Teresa di Spoltore (PE) - ITALY
Tel. +39 085 4971946 - FAX +39 085 4973849
www.vdsconsorzio.it - vds@vdsconsorzio.it**