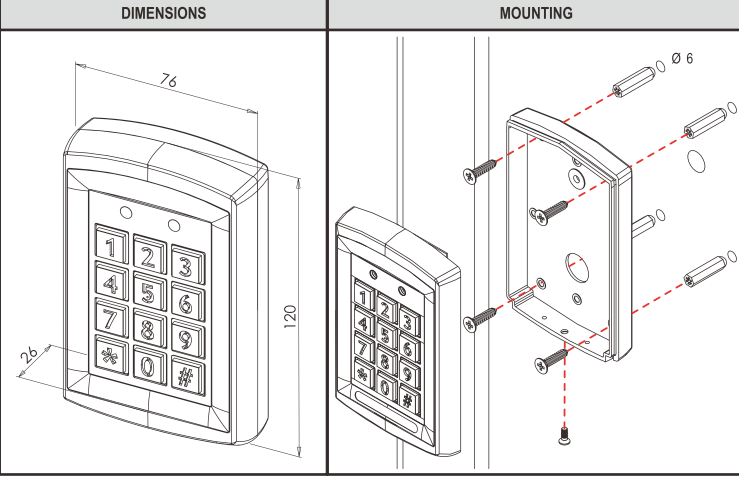


TECHNICAL DATA

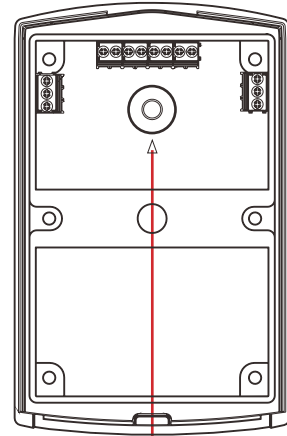
H x W x D									
119 x 76 x 21 mm	0.51 kg	12 - 24V AC/DC	50 - 40 mA 80 - 40 mA	output relays =2	30V DC - 2 A 125V AC - 1 A	input exit button =2	1010 Relay 1 = 1000 Relay 2 = 10	65*	
AX230KR	 125 KHz (MARIN)	3 operating modes: ● STAND ALONE PROXIMITY READER ● PROXIMITY READER or PIN CODE ● PROXIMITY READER + PIN CODE → ATTENTION: in this case, all users must have 1 PIN CODE and 1 PROXIMITY CARD						 0 - 99 s -30+70°C	

*IP 65 : Protection against dust, no damaging deposits. Protection against low pressure water jets from any direction.

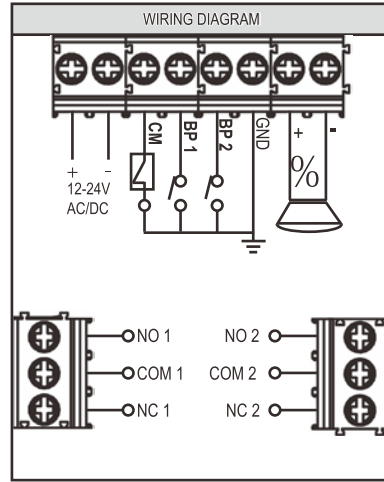


ATTENTION : Make sure to observe correct polarity and input voltage: 12-24V AC/DC as specified!

Read carefully this user guide before activating and using. Use this equipment only for an adapted application. The manufacturer cannot be held responsible for possible damage caused when usual security requirements are not fulfilled. Mounting, maintenance and repair must be carried out by a skilled and authorized staff. The commissioning is easy, but a correct handling and an appropriate maintenance are mandatory to keep the device working perfectly.



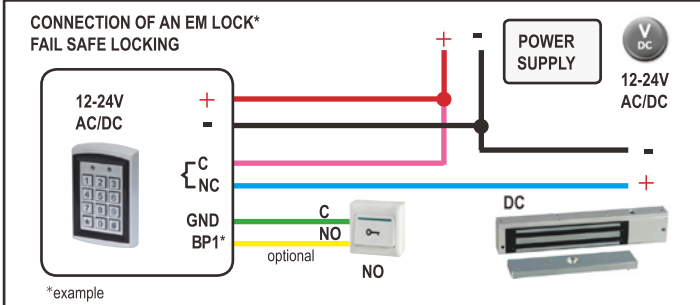
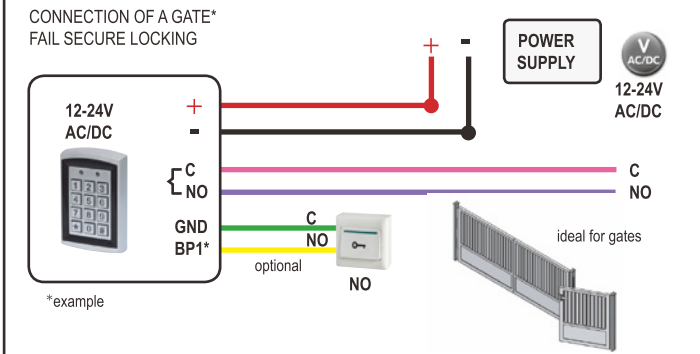
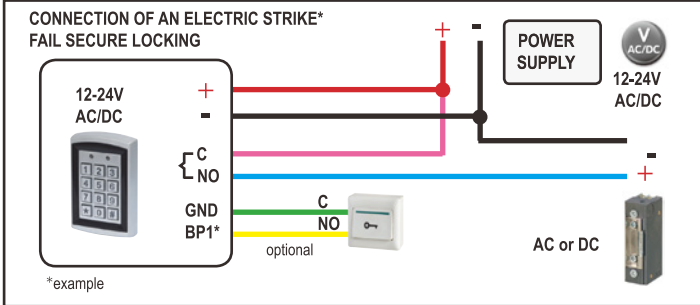
Anti-tamper photocell. To activate the function, please refer to page 16 "Anti-tamper function"



- BP 1 = Exit Button Relay 1
- BP 2 = Exit Button Relay 2
- CM = Door magnet *

*Door magnet= Detection of door status. When someone opens the door and comes in, the door is closed. The system will automatically detect the door status and lock the door, even though there is still a delay period.

EXAMPLES FOR TYPICAL WIRING CONFIGURATIONS




SETTING MODE

Changing number of digits (codes)	
<i>Attention: this modification must be done before the first programming of a code (factory setting = 4 digits)</i>	
Enter the master code 2 X (Default code is 123)	long BEEP + right LED will turn yellow
Enter * 904	short BEEP + right LED will turn yellow
Enter the digits (X is from 2 to 6)	long BEEP + right LED will turn yellow
Changing digit number erases all previous records!	
! If X = 2 the master code is 12	If X = 5 the master code is 12345
If X = 3 the master code is 123	If X = 6 the master code is 123456
If X = 4 the master code is 1234	
Enter # #	right LED will turn green
Creating a master card	
<i>The master card allows to open the setup session</i>	
Enter the master code 2 X (Default code is 123)	long BEEP + right LED will turn yellow
Enter * 7	right LED will flash green
Swipe the master card 1 X	long BEEP + right LED will turn yellow
Enter # #	right LED will turn green
Changing a master card	
Enter the master code 2 X or swipe the master card 1 X (Default code is 1234)	long BEEP + right LED will turn yellow
Enter * 7	right LED will turn red
Enter **	right LED will flash green
Swipe the master card 1 X	long BEEP + right LED will turn yellow
Enter # #	right LED will turn green
Changing a master code	
<i>It is recommended to modify the master code which allows to open the setup session for security reasons. The user codes must be different from mastercode.</i>	
Enter the master code 2 X or swipe the master card 1 X (Default code is 1234)	long BEEP + right LED will turn yellow
Enter * 3	right LED will flash yellow
Enter the new code 2 X	long BEEP + right LED will turn yellow
Enter # #	right LED will turn green
How to restore the default master code (1234)	
<i>(in case of lost or forgotten master code)</i>	
Switch off the power supply from the keypad	all LEDs light off
Press # key. Keep it pressed for 3 seconds while powering the device again	short BEEP + right LED will turn green

Add a user	
ATTENTION: Please note that the master code can't unlock the door!	
▶ RELAY 1 (from 000 to 999 users) ◀	
CARD OR CODE	
Enter the master code 2 X or swipe the master card 1 X (Default code is 1234)	long BEEP + right LED will turn yellow
Enter * 001	long BEEP + right LED will turn yellow
Enter the position from 000 to 999 (3 mandatory digits)	left LED will turn green + right LED will flash yellow
if CARD : Swipe the card 1 X if CODE : Enter a code 1 X	long BEEP + left LED will turn green + right LED will flash yellow
Enter # #	right LED will turn green

CARD AND CODE	
(in this case the relay 2 is in idle state (inactive))	
Enter the master code 2 X or swipe the master card 1 X (Default code is 1234)	long BEEP + right LED will turn yellow
Enter * 002	long BEEP + right LED will turn yellow
Enter the position from 000 to 999 (3 mandatory digits)	left LED will turn green + right LED will flash yellow
Swipe the card 1 X and enter a code 1 X	long BEEP + right LED will flash yellow long BEEP + right LED will turn yellow
Enter # #	right LED will turn green

RELAY 2 (from 00 to 09 users)	
▶ RELAY 2 (from 00 to 09 users) ◀	
CARD OR CODE	
Enter the master code 2 X or swipe the master card 1 X (Default code is 1234)	long BEEP + right LED will turn yellow
Enter * 4	right LED will flash yellow
Enter the position from 00 to 09 (2 mandatory digits)	left LED will turn green + right LED will flash yellow
if CARD : Swipe the card 1 X if CODE : Enter a code 1 X	long BEEP + left LED will turn green + right LED will flash yellow
Enter # #	right LED will turn green


 **The codes or user cards from relay 1 and 2 must be different from each other.**

5/8

Add cards in batches	
This function allows to register cards in batches with automatic adding of location slots	
Enter the master code 2 X or swipe the master card 1 X (Default code is 1234)	long BEEP + right LED will turn yellow
Enter * 901	short BEEP + right LED will turn yellow
Enter the first position (3 mandatory digits) (e.g. 020)	long BEEP + right LED will turn yellow
Enter the second position (3 mandatory digits) (e.g. 050)	short BEEP + right LED will turn yellow
Swipe the cards one after the other 1 X	long BEEP + right LED will turn yellow
Enter # #	right LED will turn green

Delete one user	
▶ RELAY 1 (from 000 to 999 users) ◀	
Enter the master code 2 X or swipe the master card 1 X (Default code is 1234)	long BEEP + right LED will turn yellow
Enter the position (3 mandatory digits) (from 000 to 999)	left LED will turn red + right LED will flash yellow
Enter **	left LED will turn green + right LED will flash yellow
Enter # #	right LED will turn green

RELAY 2 (from 00 to 09 users)	
▶ RELAY 2 (from 00 to 09 users) ◀	
Enter the master code 2 X or swipe the master card 1 X (Default code is 1234)	long BEEP + right LED will turn yellow
Enter * 4	right LED will flash yellow
Enter the position (2 mandatory digits) (from 00 to 09)	left LED will turn red + right LED will flash yellow
Enter **	left LED will turn green + right LED will flash yellow
Enter # #	right LED will turn green

Delete all users	
 All user codes and cards will be removed	
Enter the master code 2 X or swipe the master card 1 X (Default code is 1234)	long BEEP + right LED will turn yellow
Enter * 888	long BEEP + right LED will flash yellow
Enter # #	right LED will turn green

6/8

Default to factory settings	
This operation removes all user codes + cards + master card and restores factory settings: default code will be 1234 again	
Enter the master code 2 X or swipe the master card 1 X (Default code is 1234)	long BEEP + right LED will turn yellow
Enter * 899	long BEEP + right LED will flash yellow
Enter # #	right LED will turn green

SETTING OF THE UNLOCKING TIME	
▶ RELAY 1 (from 00 to 99 seconds) ◀	
Enter the master code 2 X or swipe the master card 1 X (Default code is 1234)	long BEEP + right LED will turn yellow
Enter * 1	right LED will flash yellow
Enter the 2-digits value (mandatory): from 00 to 99 sec. or enter 00 (for bistable function)	long BEEP + right LED will turn yellow
Enter # #	right LED will turn green


RELAY 2 (from 00 to 99 seconds)	
▶ RELAY 2 (from 00 to 99 seconds) ◀	
Enter the master code 2 X or swipe the master card 1 X (Default code is 1234)	long BEEP + right LED will turn yellow
Enter * 5	right LED will flash yellow
Enter the 2-digits value (mandatory): from 00 to 99 sec. or enter 00 (for bistable function)	long BEEP + right LED will turn yellow
Enter # #	right LED will turn green

Buzzer	
(If the buzzer is deactivated, the right yellow LED replaces the buzzer's sound)	
▶ to ENABLE the buzzer ◀	
Enter the master code 2 X or swipe the master card 1 X (Default code is 1234)	long BEEP + right LED will turn yellow
Enter * 203	long BEEP + right LED will turn yellow
Enter # #	right LED will turn green
▶ to DISABLE the anti-tamper function ◀	
Enter the master code 2 X or swipe the master card 1 X (Default code is 1234)	long BEEP + right LED will turn yellow
Enter * 204	Left LED will flash red + right LED will turn yellow
Enter # #	Left LED will flash red + right LED will turn green

7/8

Anti-tamper function	
This function activates the buzzer in case of tear-off attempt	
▶ to ENABLE the anti-tamper function ◀	
Enter the master code 2 X or swipe the master card 1 X (Default code is 1234)	long BEEP + right LED will turn yellow
Enter * 6	right LED will flash yellow
Enter 02	long BEEP + right LED will turn yellow
Enter # #	right LED will turn green

to DISABLE the anti-tamper function	
▶ to DISABLE the anti-tamper function ◀	
Enter the master code 2 X or swipe the master card 1 X (Default code is 1234)	long BEEP + right LED will turn yellow
Enter * 6	right LED will flash yellow
Enter 01	long BEEP + right LED will turn yellow
Enter # #	right LED will turn green

Back light function	
 If the back light function is activated, the programmed cards and codes will no longer be functional on relay 2. This function could be used as a back light. Press on key * to enable the function.	
▶ to ENABLE the back light function ◀	
Enter the master code 2 X or swipe the master card 1 X (Default code is 1234)	long BEEP + right LED will turn yellow
Enter * 2	right LED will flash yellow
Enter 02	long BEEP + right LED will turn yellow
Enter # #	right LED will turn green
▶ to DISABLE the back light function ◀	
Enter the master code 2 X or swipe the master card 1 X (Default code is 1234)	long BEEP + right LED will turn yellow
Enter * 2	right LED will flash yellow
Enter 01	long BEEP + right LED will turn yellow
Enter # #	right LED will turn green

Remark: If three consecutive keyboard input errors occurred, the keyboard will be locked for 60 seconds. Any keyboard operation is invalid within 60 seconds.

8/8