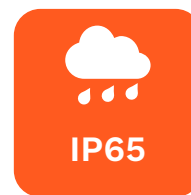
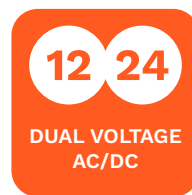


AX230KR

RFID Stand-Alone Access Control Keypad

FEATURES

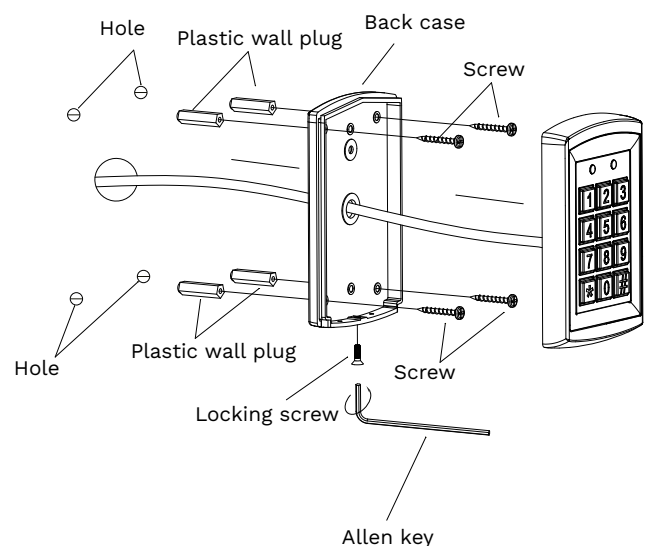
- Dual Relay Outputs - up to 1010 users
- 12 Digit Backlit keypad, 2-6 digit pin access
- Built-in proxy reader with EM125Khz RF frequency
- Weather and vandal resistant - IP65 protection
- Die-cast zinc alloy, epoxy sealed



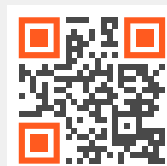
WHAT'S INCLUDED

- Keypad
- Allen Key
- 4 x Plastic wall plugs
- 4 x Screws
- 1 x Locking Screw

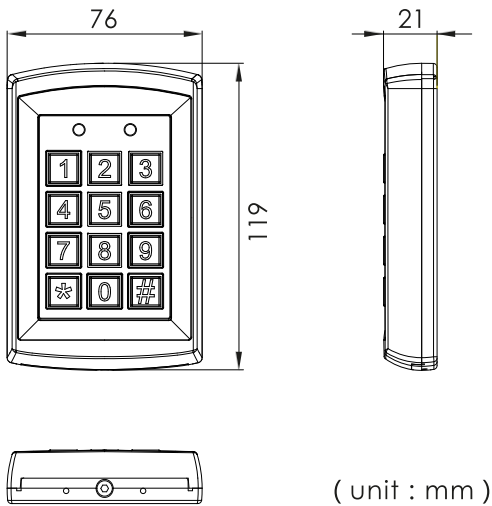
BREAKDOWN



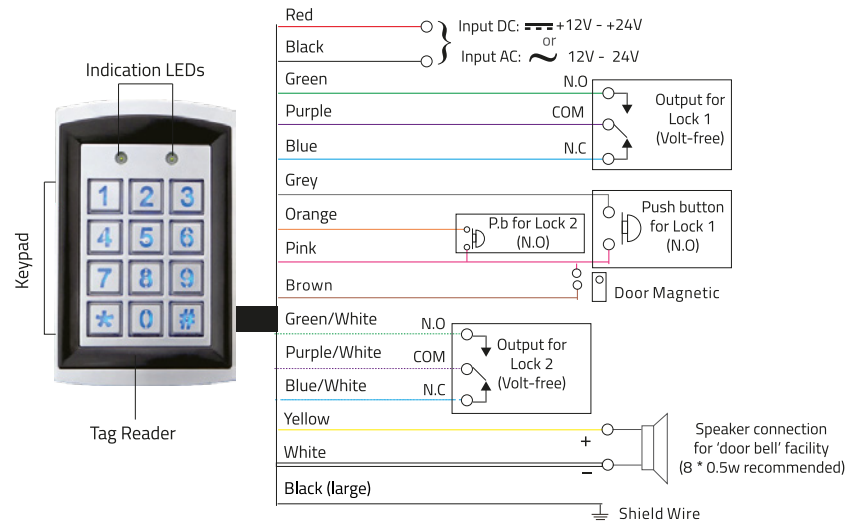
Visit our website for more info



DIMENSIONS



WIRING DIAGRAM



SPECIFICATIONS

Physical Attributes	
Materials	Die-cast Zinc Alloy
Mounting Type	Surface mounted
Vandal Resistant	Yes
IP Rating	IP65
Operating Temperature	-30°C ~ 70°C
Dimensions (L x W x H)	21mm x 76mm x 119mm
Keypad	12 Digit Backlit keypad, 2-6 digit pin access
Electrical Data	
Current	Standby Current: < 30mA Working Current: < 160mA
Input Voltage	12~24 VAC VDC
Relay & User Data	
Max Users	Relay 1: 1000 Users Relay 2: 10 Users, or combined
Number of Relays	2
Relay Type	NO/COM/NC
Proximity Card	
Frequency	EM125KHz
Effective Distance	5cm