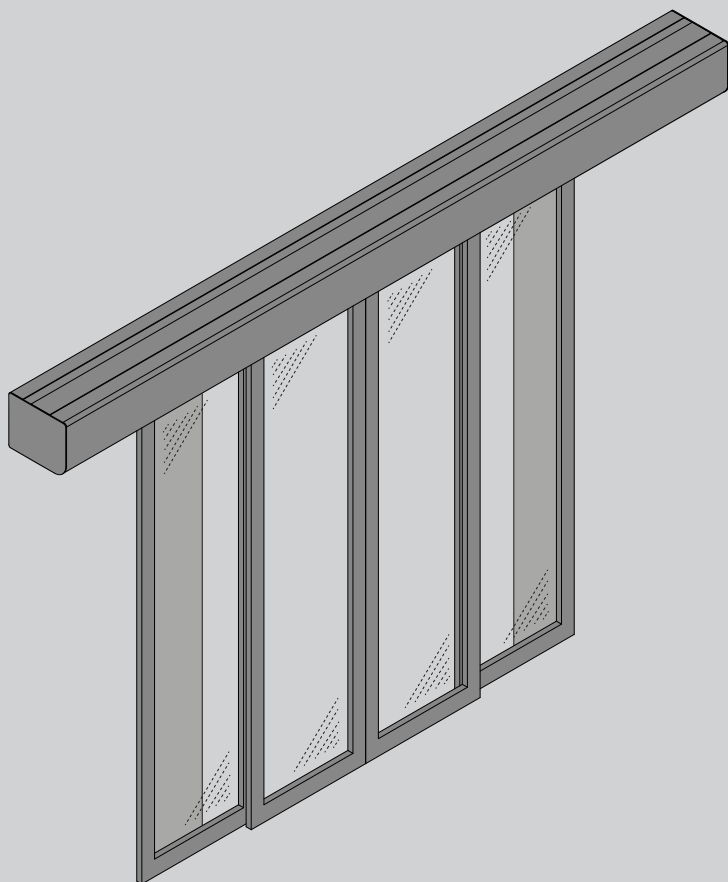




D812041 00100_01 19-09-13

AUTOMAZIONI PORTE TELESCOPICHE
 TELESCOPIC DOOR AUTOMATION
 AUTOMATISATIONS PORTES TÉLESCOPIQUES
 AUTOMATISERUNGEN TELESKOPTÜREN
 AUTOMATISMOS PARA PUERTAS TELESCÓPICAS
 AUTOMATISERINGSSYSTEMEN TELESCOPISCHE VLEUGELS

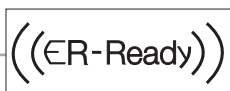


ISTRUZIONI D'USO E DI INSTALLAZIONE
 INSTALLATION AND USER'S MANUAL
 INSTRUCTIONS D'UTILISATION ET D'INSTALLATION
 INSTALLATIONS-UND-GEBRAUCHSANLEITUNG
 INSTRUCCIONES DE USO Y DE INSTALACION
 GEBRUIKS- EN INSTALLATIEAANWIJZINGEN

VISTA-TL (ARIA-EVO)



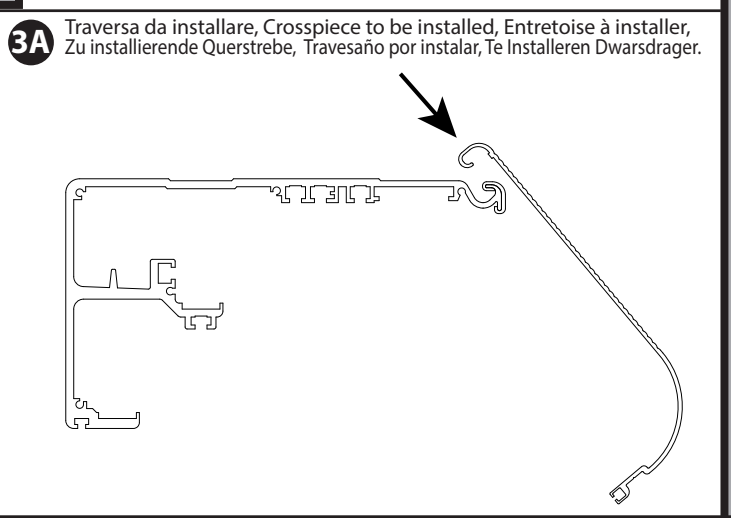
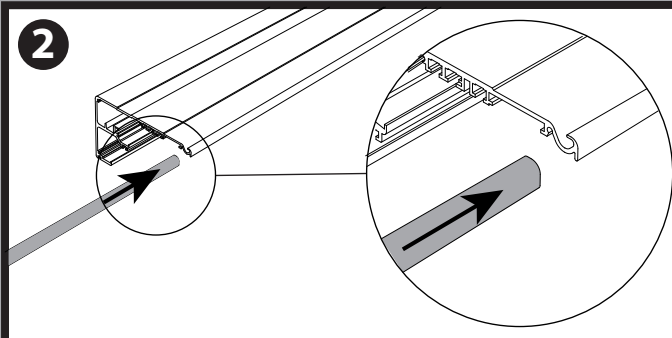
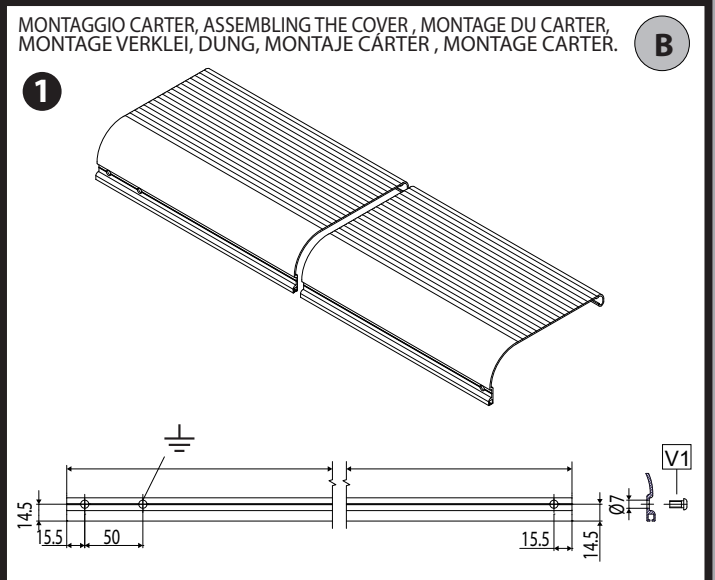
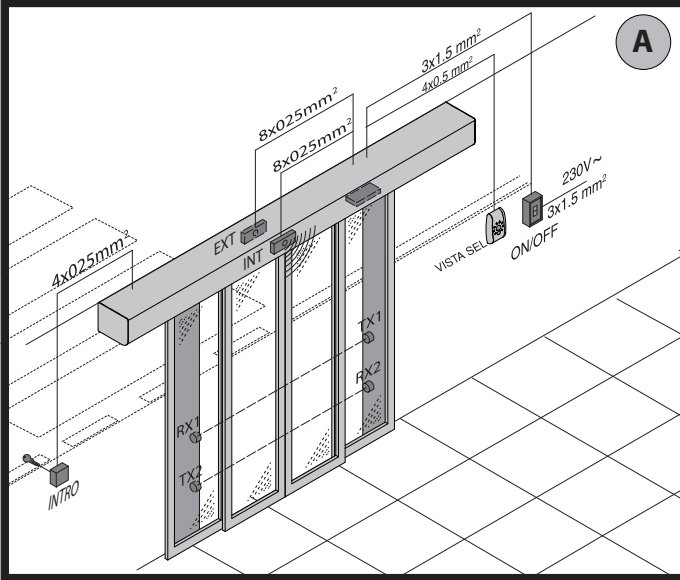
U-link



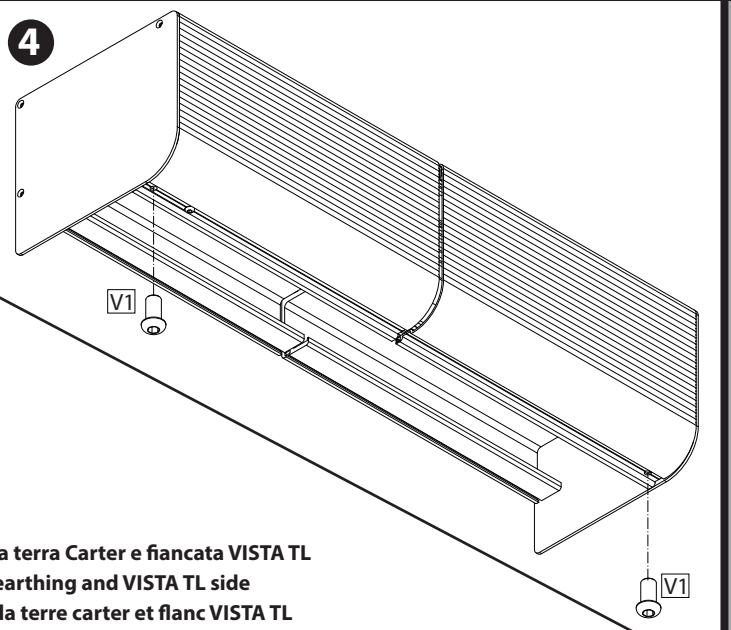
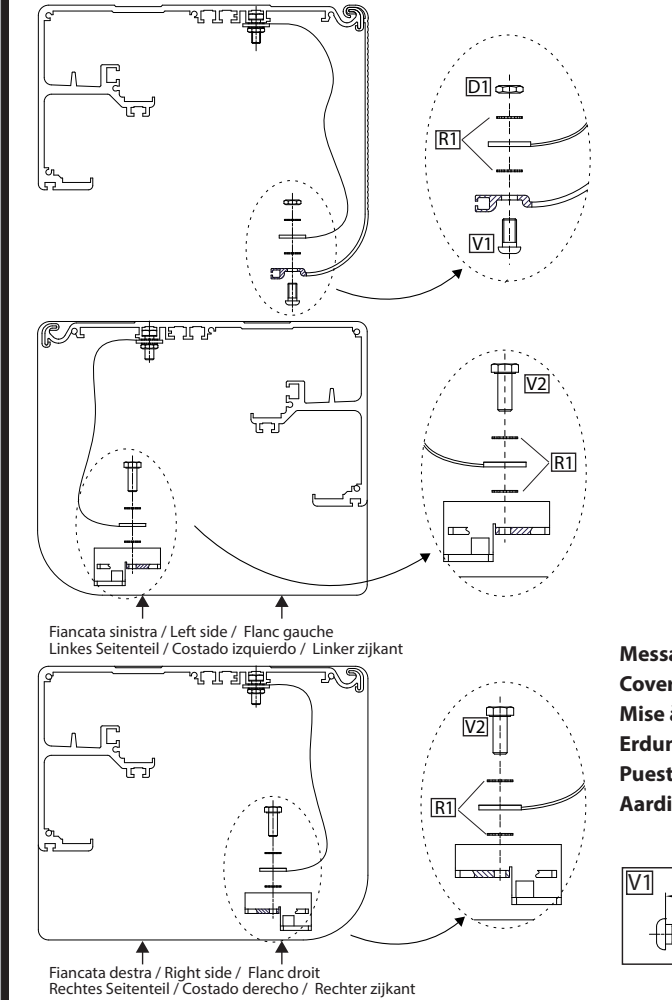
AZIENDA CON SISTEMA DI GESTIONE
 INTEGRATO CERTIFICATO DA DNV
 = UNI EN ISO 9001:2008 =
 UNI EN ISO 14001:2004

Attenzione! Leggere attentamente le "Avvertenze" all'interno! **Caution!** Read "Warnings" inside carefully! **Attention!** Veuillez lire attentivement les Avertissements qui se trouvent à l'intérieur! **Achtung!** Bitte lesen Sie aufmerksam die „Hinweise“ im Inneren! **¡Atención!** Leer atentamente las "Advertencias" en el interior! **Let op!** Lees de "Waarschuwingen" aan de binnenkant zorgvuldig!

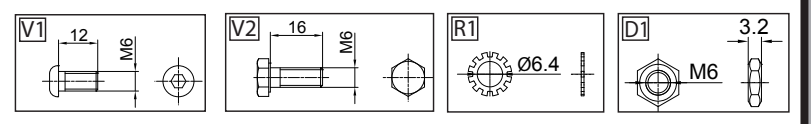
INSTALLAZIONE VELOCE-QUICK INSTALLATION-INSTALLATION
 RAPIDSCHNELLINSTALLATION-INSTALACION RAPIDA - SNELLE INSTALLATIE

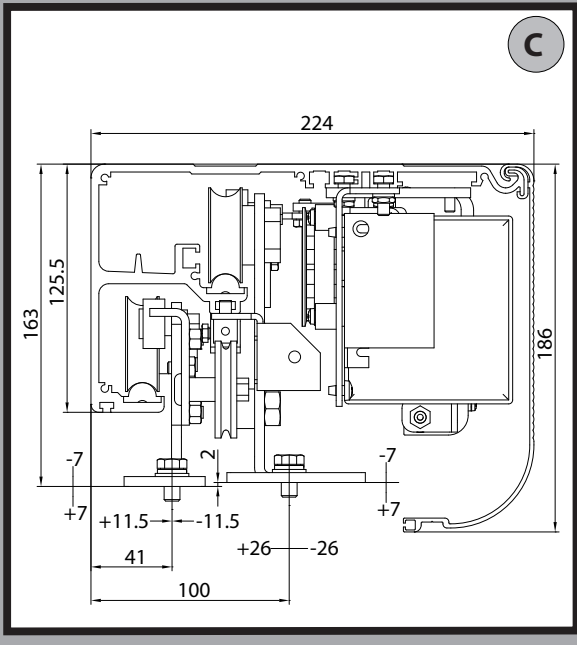


3B Traversa già installata, Crosspiece already installed, Entretoise déjà montée, Bereits installierte Querstrebe, Travesaño instalado, Reeds geïnstalleerde Dwarsdrager.

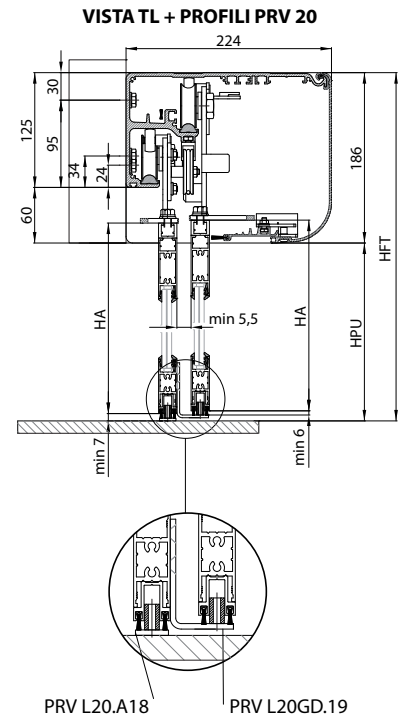
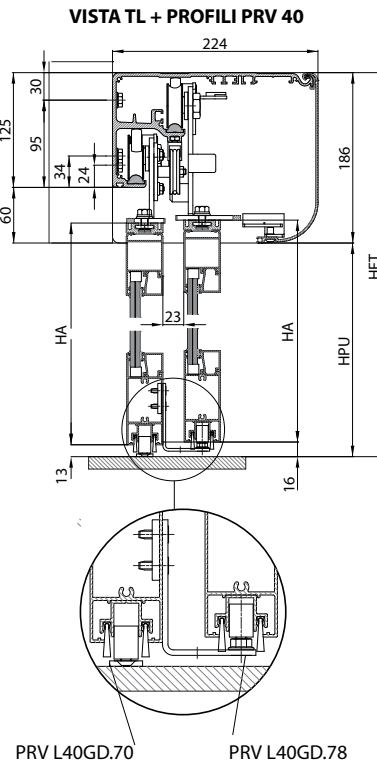


Messa a terra Carter e fiancata VISTA TL
Cover earthing and VISTA TL side
Mise à la terre carter et flanc VISTA TL
Erdung Verkleidung und Seitenteil VISTA TL
Puesta a tierra carter y costado VISTA TL
Aarding carter en zijkant VISTA TL





D
 DETERMINAZIONE DELL'ALTEZZA DI FISSAGGIO DELLA TRAVERSA,
 DETERMINING HEADER FASTENING HEIGHT,
 ÉTABLISSEMENT D'ELA HAUTEUR DE FIXATION DE L'ENTRETOISE,
 BESTIMMUNG DER BEFESTIGUNGSHÖHE DER QUERSTREBE,
 DETERMINACIÓN DE LA ALTURA DE FIJACIÓN DEL TRAVESAÑO,
 BEPALING VAN DE BEVESTIGINGSHOOGTE VAN DE DWARSDRAGER.



Definizione, Definition, Définition, Definition, Definición, Definitie.

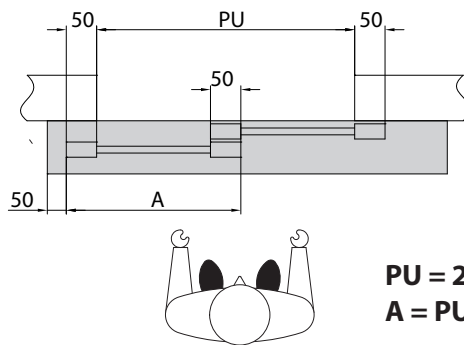
- A**
 = Larghezza anta
 = Door width
 = Largeur vantail
 = Breite Torflügel
 = Ancho de la hoja
 = Vleugelbreedte
- PU**
 = Passaggio Utile
 = Usable passage space
 = Passage utile
 = Nutzdurchgang
 = Pasaje útil
 = Nuttige Doorgang
- L**
 = Larghezza traversa
 = Crosspiece width
 = Largeur entretoise
 = Breite Querstrebe
 = Ancho del travesaño
 = Breedte dwarsdrager

- HFT**
 =Altezza di fissaggio della traversa
 =Crosspiece fastening height
 =Hauteur de fixation de l'entretoise
 =Befestigungshöhe der Querstrebe
 =Altura de fijación del travesaño
 =Bevestigingshoogte van de dwarsdrager.

- HA**
 =Altezza dell'anta finita
 =Finished door height
 =Hauteur du vantail fini
 =Höhe der fertigen Tür
 =Altura de la hoja lista
 =Hoogte van de voltooide vleugel

- HPU**
 =Altezza passaggio utile
 =Opening height
 =Hauteur passage utile
 =Nutzhöhe Durchgang
 =Altura de paso útil
 =Hoogte nuttige doorgang

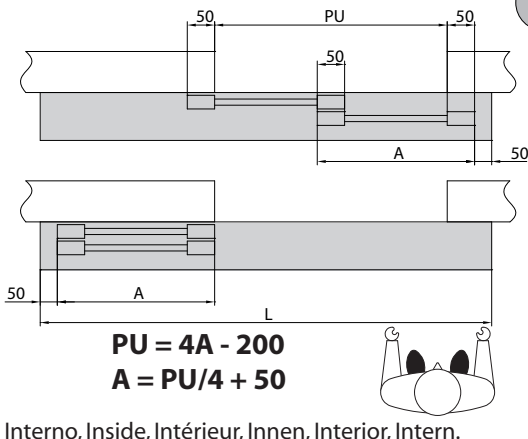
VISTA TL 207 - 232:
Destra, Right, Droitea,
Rechts, Derecha, Rechts.



$PU = 2A - 150$
 $A = PU/2 + 75$

Interno, Inside, Intérieur, Innen, Interior, Intern.

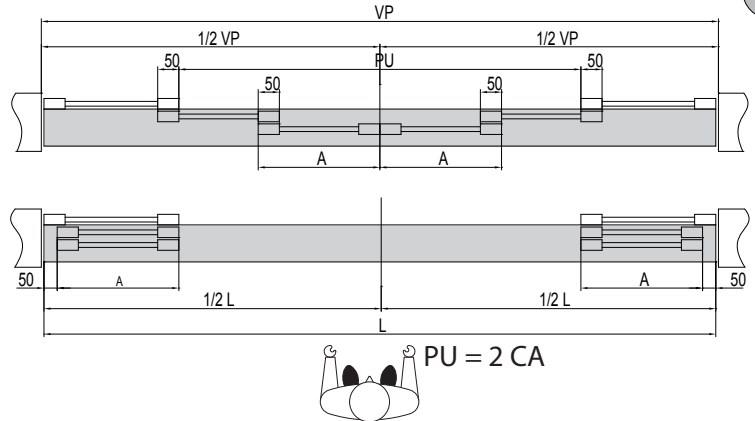
VISTA TL 207 - 232: Sinistra, Left, Gauche, links, Izquierda, Links.
Esterno, Outside, Extérieur, Außen, Exterior, Extern.



$PU = 4A - 200$
 $A = PU/4 + 50$

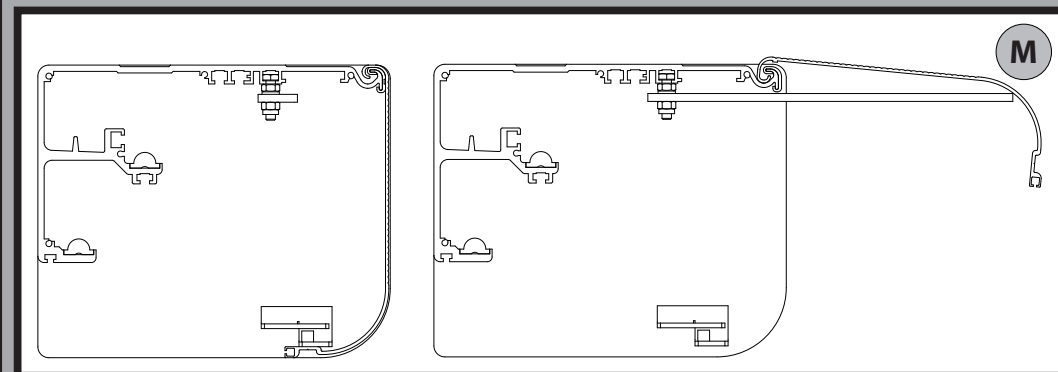
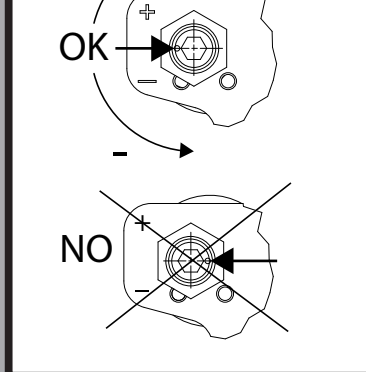
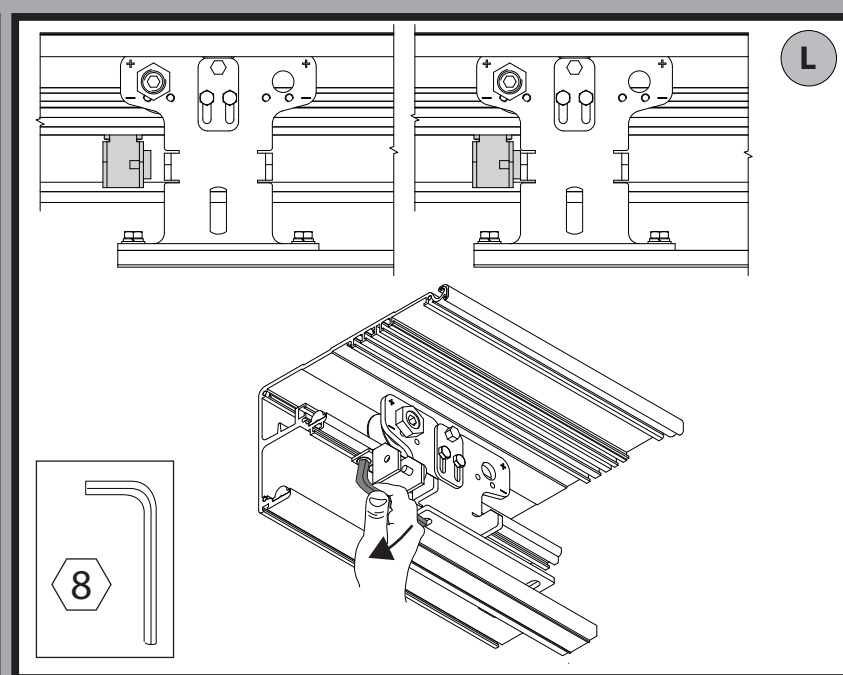
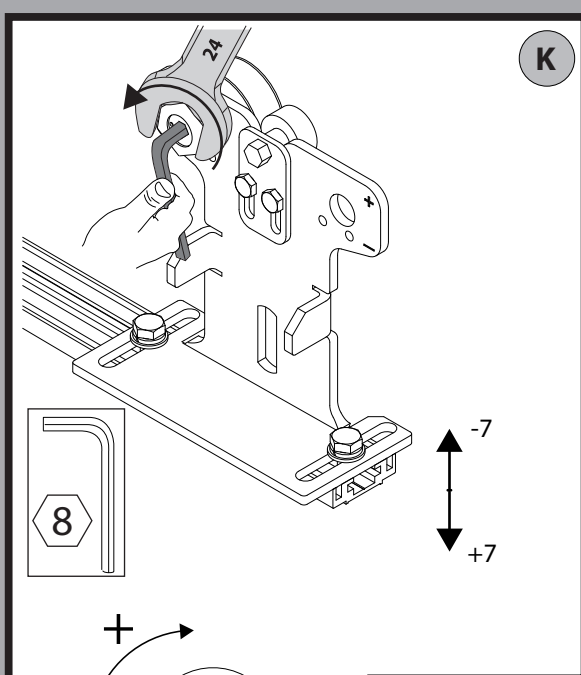
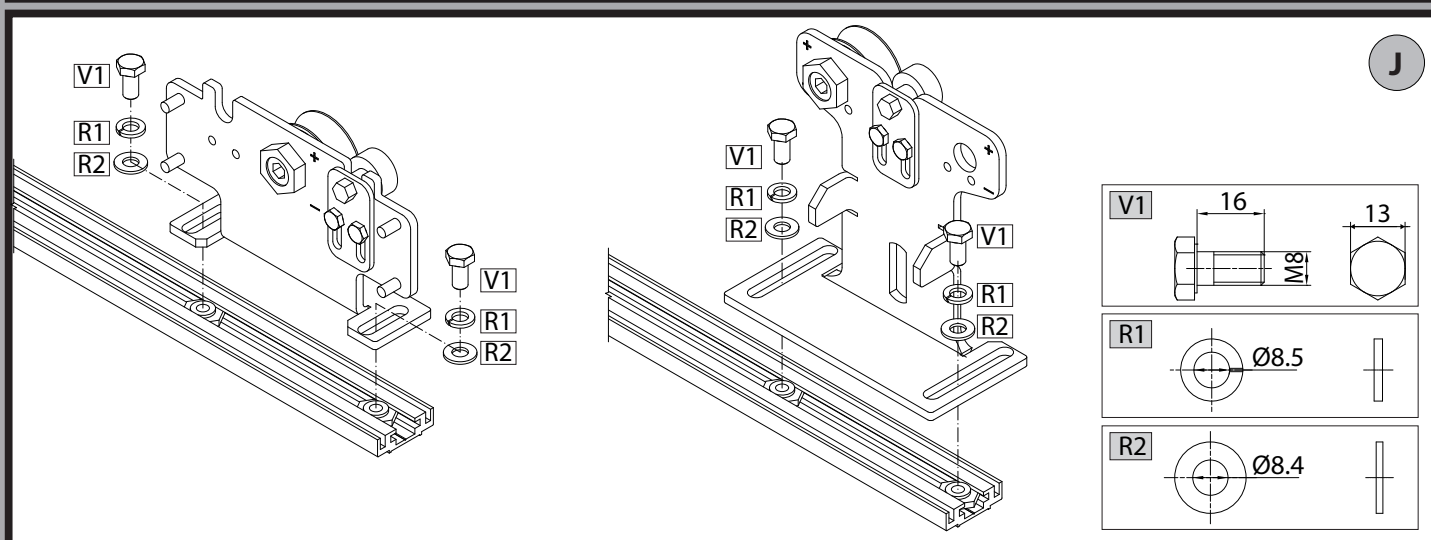
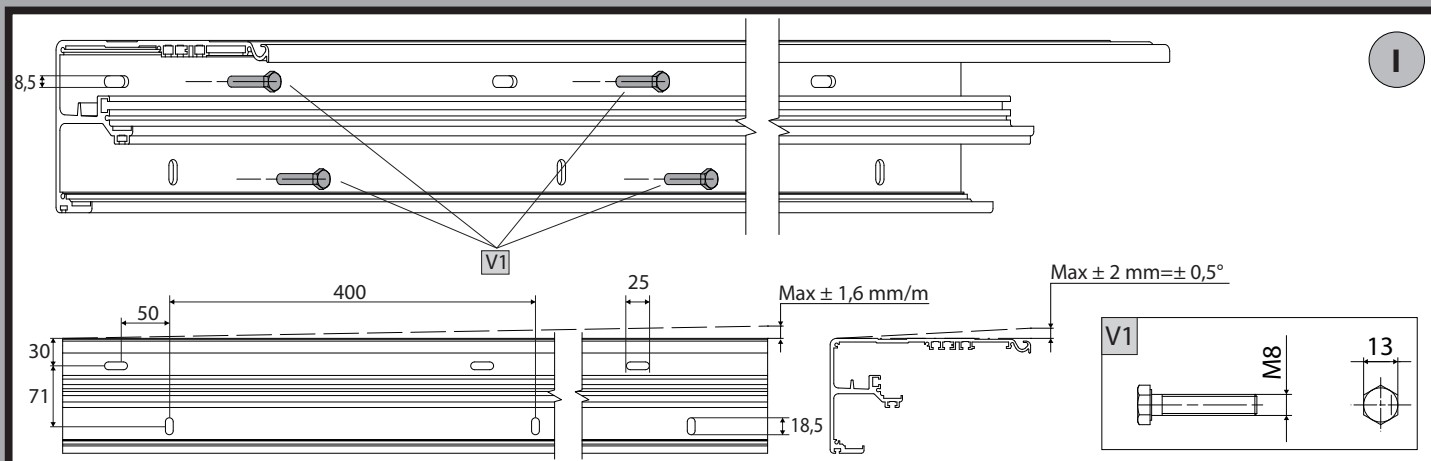
Interno, Inside, Intérieur, Innen, Interior, Intern.

VISTA TL 416 - 444
Esterno, Outside, Extérieur, Außen, Exterior, Extern.



$PU = 2 CA$

Interno, Inside, Intérieur, Innen, Interior, Intern.



N

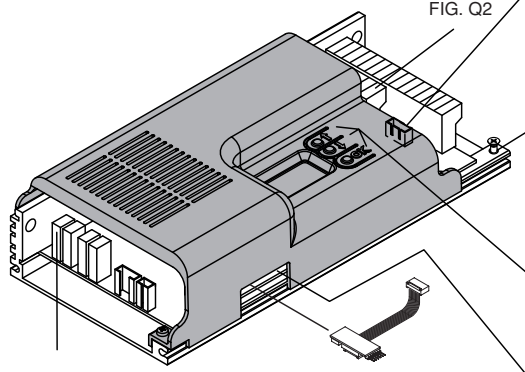


FIG. Q1

Connettore programmatore palmare JP18
 Palmtop programmer connector JP18
 Connecteur programmeur de poche JP18
 Steckverbinder Palmtop-Programmierer JP18
 Conector del programador de bolsillo JP18
 Connector Programmeerbare Palmtop JP18

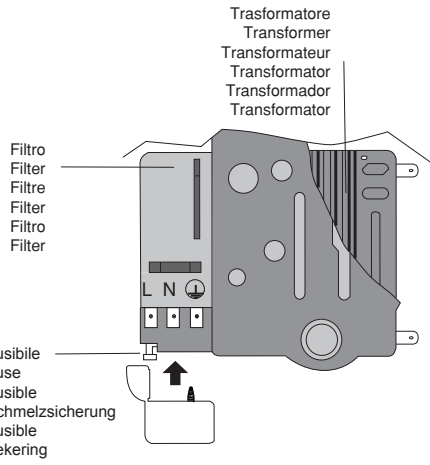
FIG. Q2

Connettore schede opzionali JP10
 Optional cards connector JP10
 Connecteur de cartes facultatives JP10
 Steckverbinding Zusatzkarte JP10
 Conector placas opcionales JP10
 Connector optionele kaarten JP10

Connessione schermo con cavi
 Screen connection with auxiliary cables
 Connexion écran avec câbles
 Anschluss Abschirmung mit Kabeln
 Conexión pantalla con cables
 Verbinding scherm met kabels

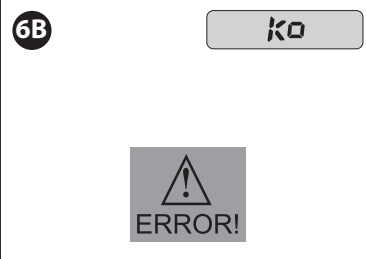
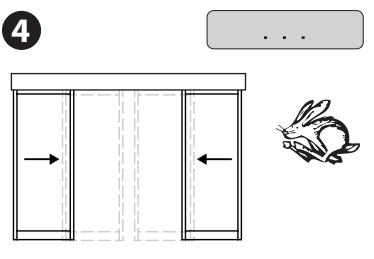
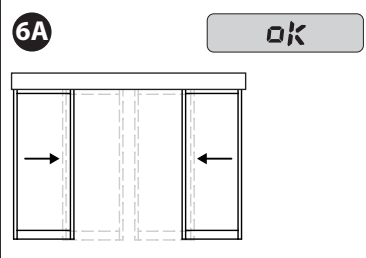
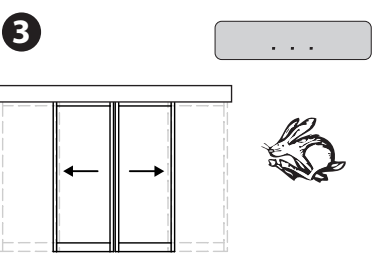
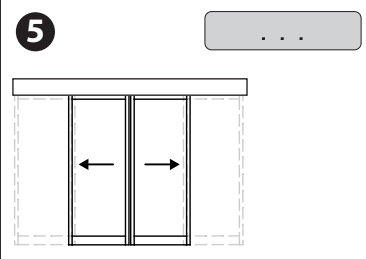
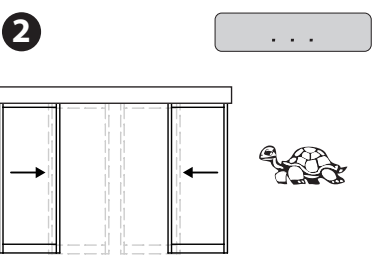
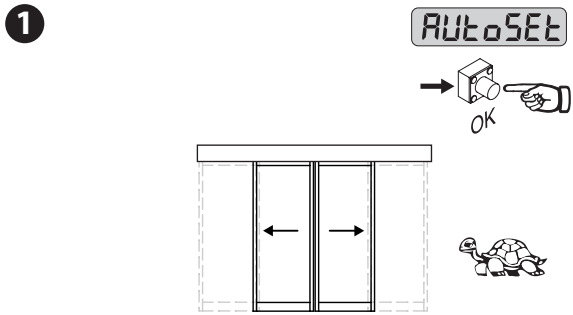
Tasti programmazione
 Programming keys
 Touches de programmation
 Programmierungstasten
 Botones de programación
 Programmeringstoetsen

Led presenza alimentazione
 Power ON LED
 Del de présence de tension
 LED Stromversorgung vorhanden
 Led presencia de alimentación
 Led aanwezigheid voeding



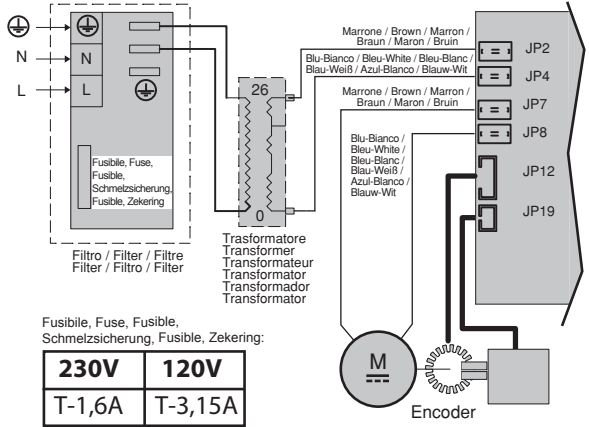
AUTOSET, AUTOSET, RÉGLAGE AUTOMATIQUE, AUTOSET, AJUSTE AUTOMATICO, AUTOSET.

O



1

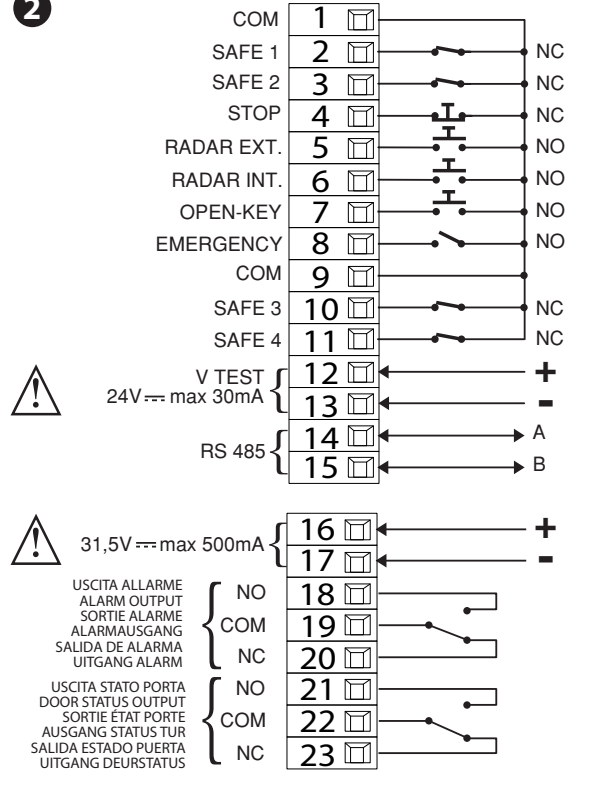
P



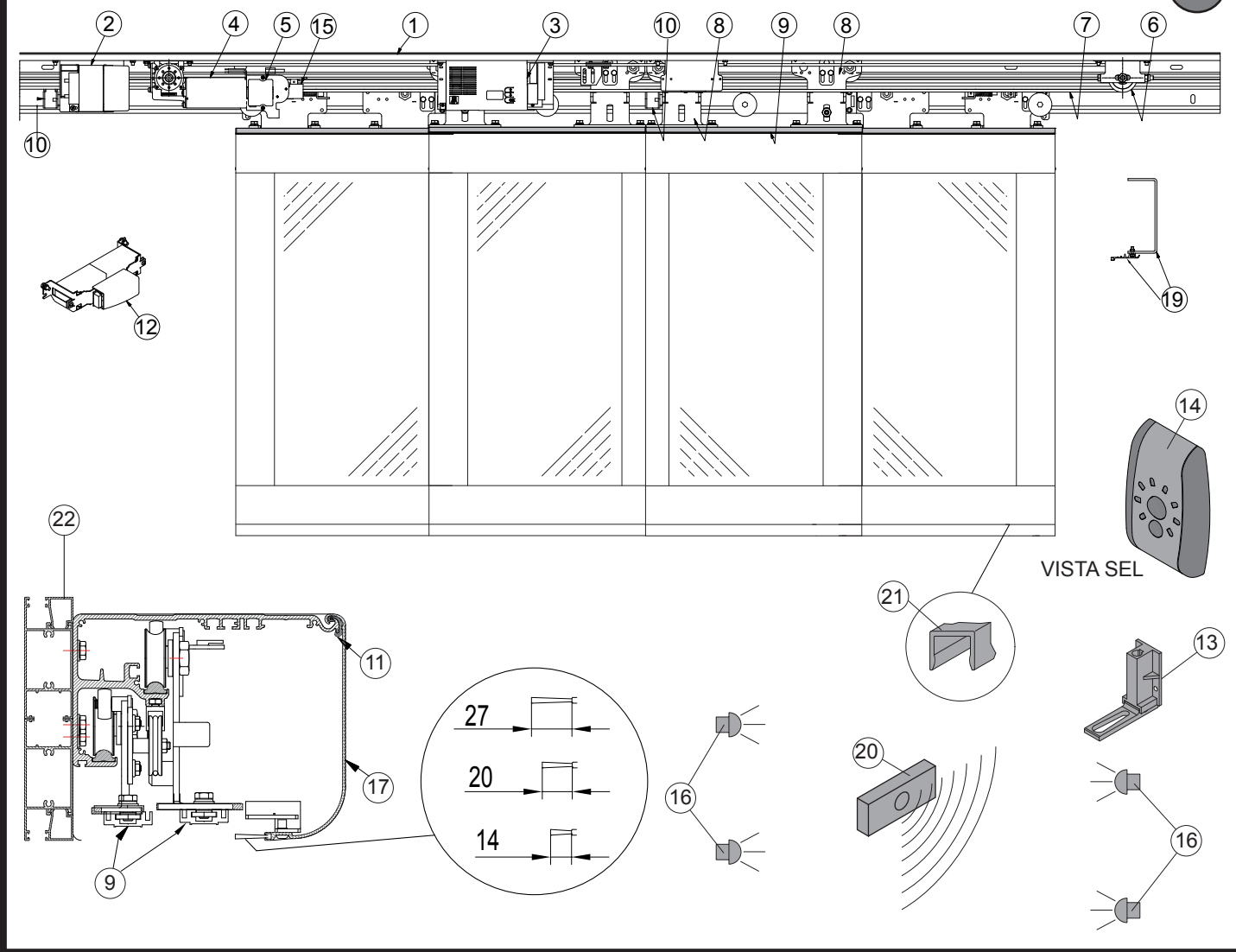
Fusibile, Fuse, Fusible, Schmelzsicherung, Fusible, Zekering:

230V	120V
T-1,6A	T-3,15A

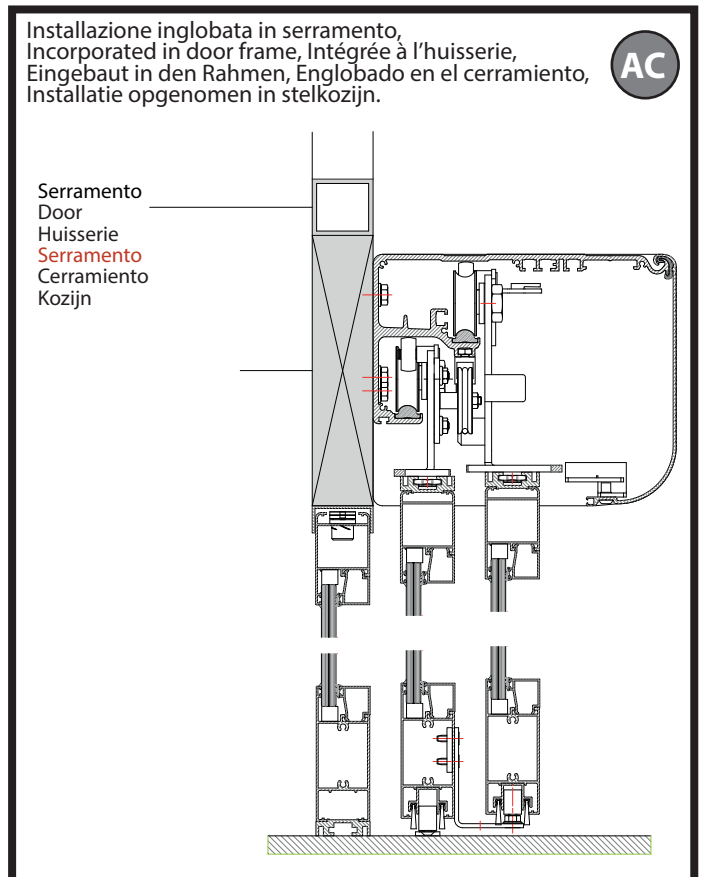
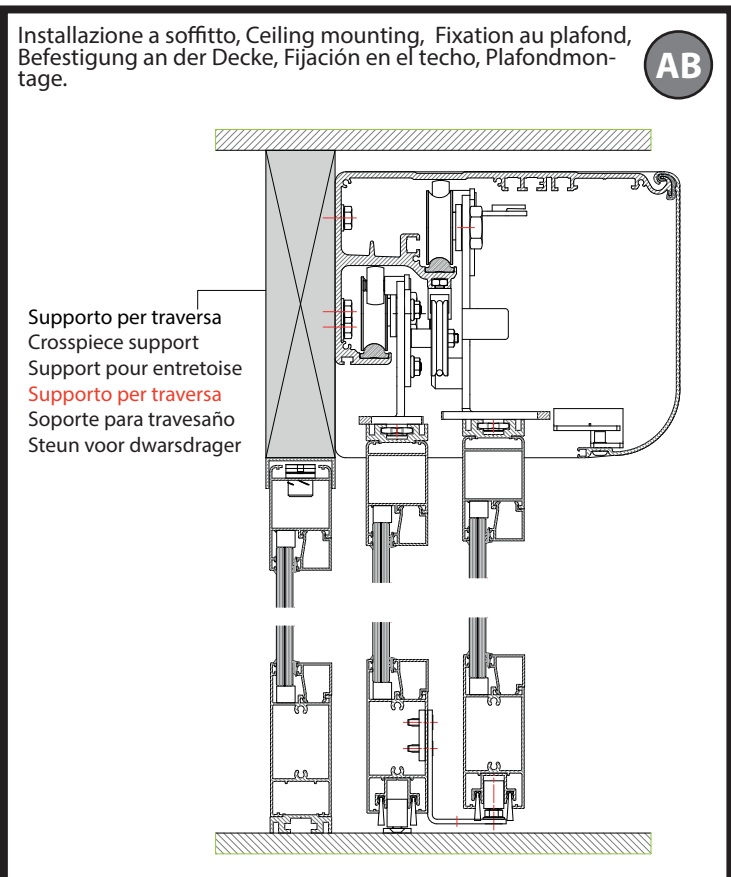
2



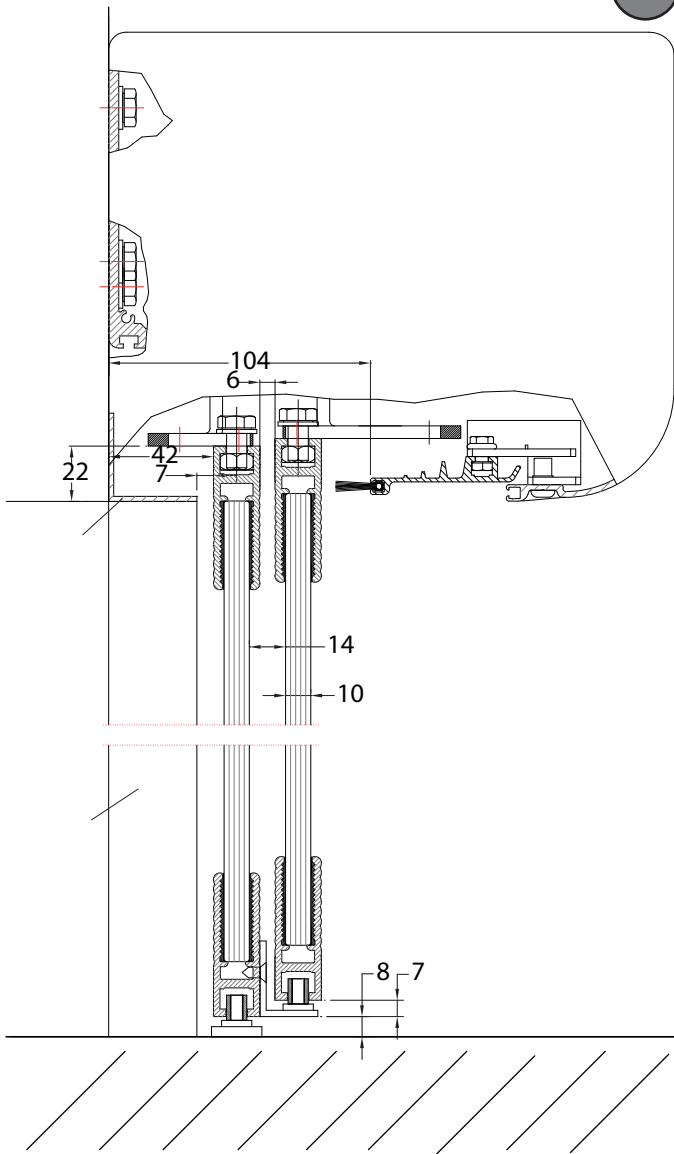
AA



VISTA SEL



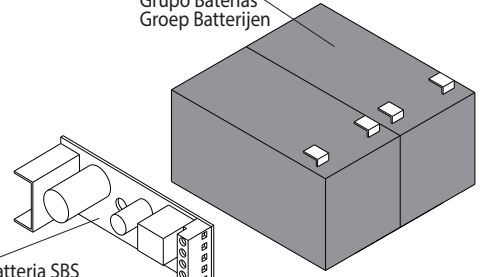
AD



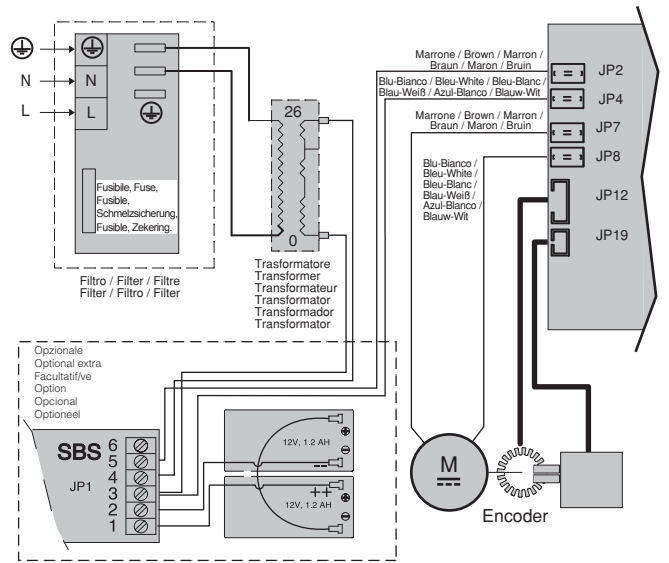
AE

Opzionale
Optional extra
Facultatif/ve
Option
Opcional
Optioneel

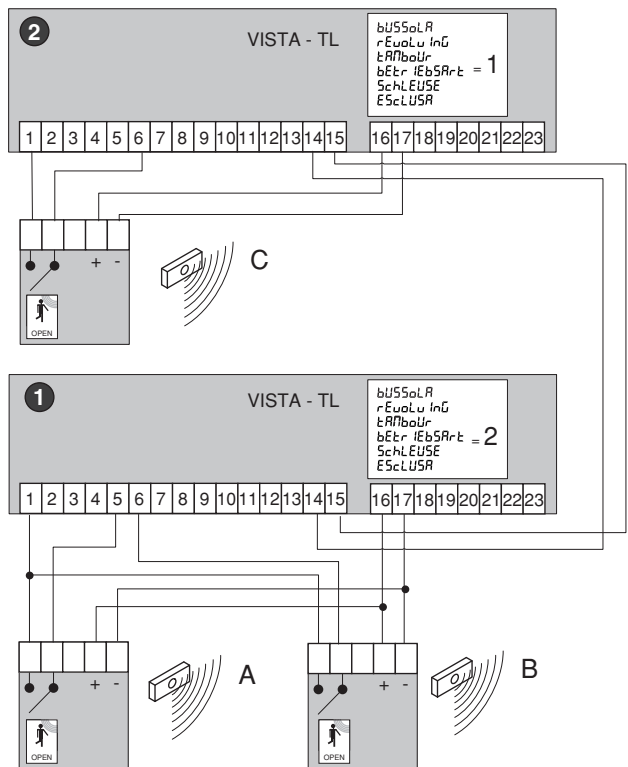
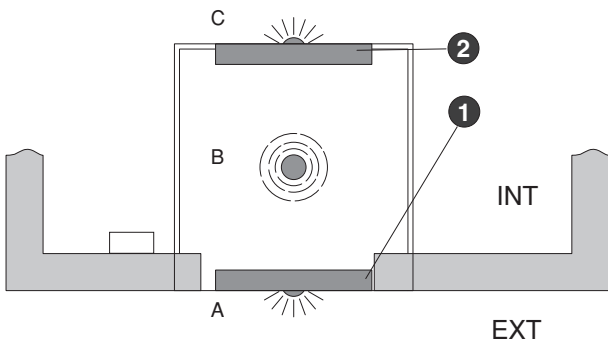
Gruppo Batterie
Battery unit
Groupe Batteries
Batteriengruppe
Grupo Baterias
Groep Batterijen



Scheda carica batteria SBS
Battery charger card SBS
Carte du chargeur de batteries SBS
Karte Batterieladung SBS
Placa carga bateria SBS
Kaart acculader SBS



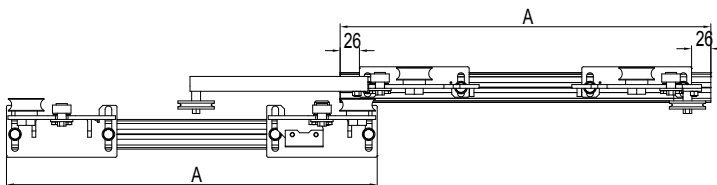
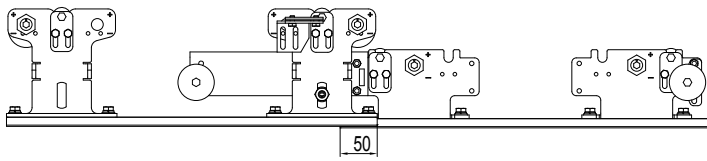
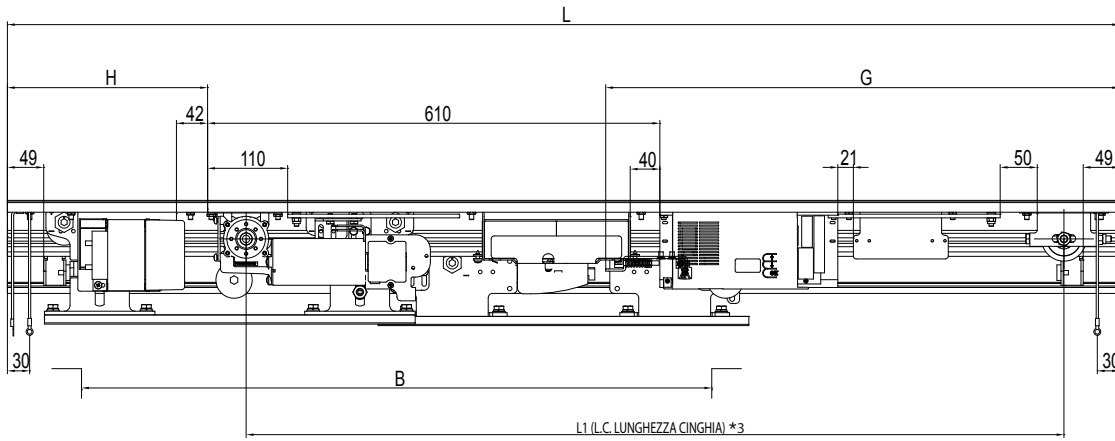
AF



VISTA TL2 DESTRA, RIGHT, DROITEA, RECHTS, DERECHA, RECHTS



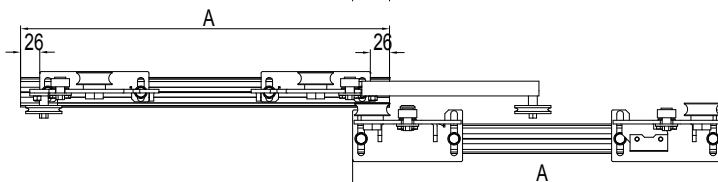
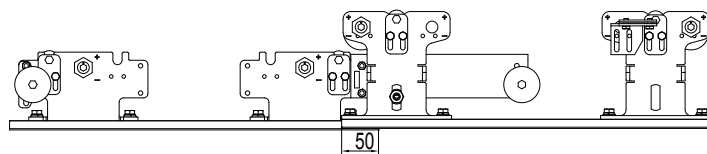
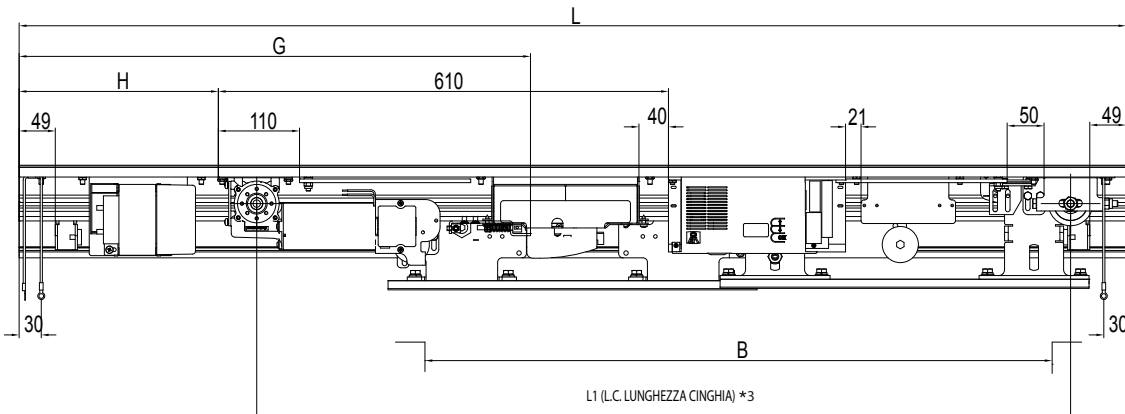
D812041 00100_01



MOD.	B	A	L	L1	L.C.	H	G	L.CAVO
207	750	450	1350	1028	2232	195	643	1500
208	850	500	1500	1103	2382	270	693	1600
209	950	550	1650	1178	2532	345	743	1700
210	1050	600	1800	1278	2732	395	793	1800
212	1250	700	2100	1478	3132	495	893	2000
214	1450	800	2400	1678	3532	595	993	2200
216	1650	900	2700	1878	3932	695	1093	2400
218	1850	1000	3000	2078	4332	795	1193	2600
220	2050	1100	3300	2278	4732	895	1293	2800
222	2250	1200	3600	2478	5132	995	1393	3000
224	2450	1300	3900	2678	5532	1095	1493	3200
226	2650	1400	4200	2878	5932	1195	1593	3400
228	2850	1500	4500	3078	6332	1295	1693	3600
230	3050	1600	4800	3278	6732	1395	1793	3800
232	3250	1700	5100	3478	7132	1495	1893	4000

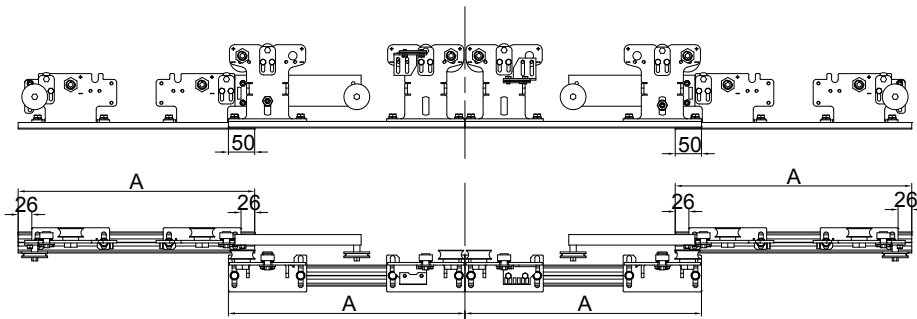
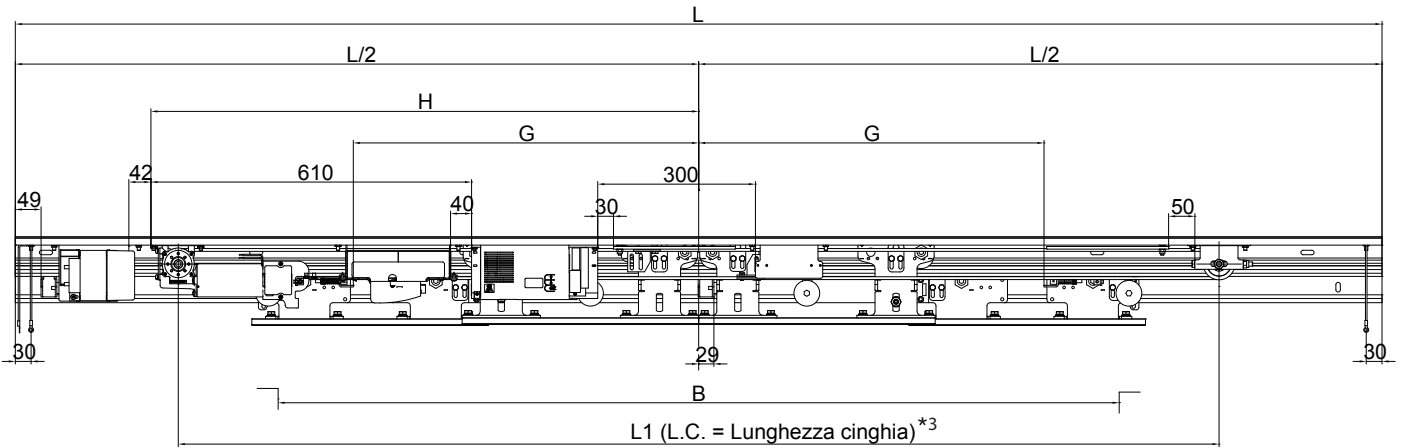
*3 Lunghezza Cinghia, Belt Length, Longueur de la courroie, Länge des Riemens, Largo de la correa, Lengte Riem

VISTA TL2 SINISTRA, LEFT, GAUCHE, LINKS, IZQUIERDA, LINKS



MOD.	B	A	L	L1	L.C.	H	G	L.CAVO
207	750	450	1350	1028	2232	195	643	1500
208	850	500	1500	1103	2382	270	693	1600
209	950	550	1650	1178	2532	345	743	1700
210	1050	600	1800	1278	2732	395	793	1800
212	1250	700	2100	1478	3132	495	893	2000
214	1450	800	2400	1678	3532	595	993	2200
216	1650	900	2700	1878	3932	695	1093	2400
218	1850	1000	3000	2078	4332	795	1193	2600
220	2050	1100	3300	2278	4732	895	1293	2800
222	2250	1200	3600	2478	5132	995	1393	3000
224	2450	1300	3900	2678	5532	1095	1493	3200
226	2650	1400	4200	2878	5932	1195	1593	3400
228	2850	1500	4500	3078	6332	1295	1693	3600
230	3050	1600	4800	3278	6732	1395	1793	3800
232	3250	1700	5100	3478	7132	1495	1893	4000

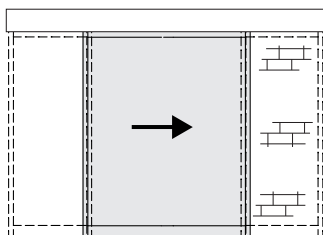
*3 Lunghezza Cinghia, Belt Length, Longueur de la courroie, Länge des Riemens, Largo de la correa, Lengte Riem



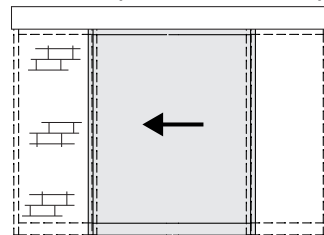
*3 Lunghezza Cinghia, Belt Length, Longueur de la courroie, Länge des Riemens, Largo de la correa, Lengte Riem

MOD.	B	A	L	L1	L.C.	H	G	L. CAVO
416	1600	450	2600	1980	4136	1042	657	1500
418	1800	500	2900	2180	4536	1142	757	1600
420	2000	550	3200	2380	4936	1242	857	1700
422	2200	600	3500	2580	5336	1342	957	1800
424	2400	650	3800	2780	5736	1442	1057	1900
426	2600	700	4100	2980	6136	1542	1157	2000
428	2800	750	4400	3180	6536	1642	1257	2100
430	3000	800	4700	3380	6936	1742	1357	2200
432	3200	850	5000	3580	7336	1842	1457	2300
434	3400	900	5300	3780	7736	1942	1557	2400
436	3600	950	5600	3980	8136	2042	1657	2500
438	3800	1000	5900	4180	8536	2142	1757	2600
440	4000	1050	6200	4380	8936	2242	1857	2700
442	4200	1100	6500	4580	9336	2342	1957	2800
444	4400	1150	6800	4780	9736	2442	2057	2900

Inud Ir. / r ichtE.U.P.H. / d Ir.rEu. = OFF



Inud Ir. / r ichtE.U.P.H. / d Ir.rEu. = ON



INSTALLER WARNINGS

WARNING! Important safety instructions. Carefully read and comply with all the warnings and instructions that come with the product as incorrect installation can cause injury to people and animals and damage to property. The warnings and instructions give important information regarding safety, installation, use and maintenance. Keep hold of instructions so that you can attach them to the technical file and keep them handy for future reference.

GENERAL SAFETY

This product has been designed and built solely for the purpose indicated herein. Uses other than those indicated herein might cause damage to the product and create a hazard.

- The units making up the machine and its installation must meet the requirements of the following European Directives, where applicable: 2004/108/EC, 2006/95/EC, 2006/42/EC, 89/106/EC, 99/05/EC and later amendments. For all countries outside the EEC, it is advisable to comply with the standards mentioned, in addition to any national standards in force, to achieve a good level of safety.
- The Manufacturer of this product (hereinafter referred to as the "Firm") disclaims all responsibility resulting from improper use or any use other than that for which the product has been designed, as indicated herein, as well as for failure to apply Good Practice in the construction of entry systems (doors, gates, etc.) and for deformation that could occur during use.
- Installation must be carried out by qualified personnel (professional installer, according to EN 12635), in compliance with Good Practice and current code.
- Before installing the product, make all structural changes required to produce safety gaps and to provide protection from or isolate all crushing, shearing and dragging hazard areas and danger zones in general in accordance with the provisions of standards EN 16005 or any local installation standards. Check that the existing structure meets the necessary strength and stability requirements.
- Before commencing installation, check the product for damage.
- The Firm is not responsible for failure to apply Good Practice in the construction and maintenance of the doors, gates, etc. to be motorized, or for deformation that might occur during use.
- Make sure the stated temperature range is compatible with the site in which the automated system is due to be installed.
- Do not install this product in an explosive atmosphere: the presence of flammable fumes or gas constitutes a serious safety hazard.
- Disconnect the electricity supply before performing any work on the system. Also disconnect buffer batteries, if any are connected.
- Before connecting the power supply, make sure the product's ratings match the mains ratings and that a suitable residual current circuit breaker and overcurrent protection device have been installed upline from the electrical system. Have the automated system's mains power supply fitted with a switch or omnipolar thermal-magnetic circuit breaker with a contact separation that meets code requirements.
- Make sure that upline from the mains power supply there is a residual current circuit breaker that trips at no more than 0.03A as well as any other equipment required by code.
- Make sure the earth system has been installed correctly: earth all the metal parts belonging to the entry system (doors, gates, etc.) and all parts of the system featuring an earth terminal.
- Installation must be carried out using safety devices and controls that meet standards EN 12978 and EN 16005.
- Impact forces can be reduced by using deformable edges.
- In the event impact forces exceed the values laid down by the relevant standards, apply electro-sensitive or pressure-sensitive devices.
- Apply all safety devices (photocells, safety edges, etc.) required to keep the area free of impact, crushing, dragging and shearing hazards. Bear in mind the standards and directives in force, Good Practice criteria, intended use, the installation environment, the operating logic of the system and forces generated by the automated system.
- Apply all signs required by current code to identify hazardous areas (residual risks). All installations must be visibly identified.
- Once installation is complete, apply a nameplate featuring the door/gate's data.
- If the automated system is installed at a height of less than 2.5 m or is accessible, the electrical and mechanical parts must be suitably protected.
- Install any fixed controls in a position where they will not cause a hazard, away from moving parts. More specifically, hold-to-run controls must be positioned within direct sight of the part being controlled and, unless they are key operated, must be installed at a height of at least 1.5 m and in a place where they cannot be reached by the public.
- Attach a label near the operating device, in a permanent fashion, with information on how to operate the automated system's manual release.
- Make sure that, during operation, mechanical risks are avoided or relevant protective measures taken and, more specifically, that nothing can be banged, crushed, caught or cut between the part being operated and surrounding parts.
- Once installation is complete, make sure the motor automation settings are correct and that the safety and release systems are working properly.
- Only use original spare parts for any maintenance or repair work. The Firm disclaims all responsibility for the correct operation and safety of the automated system if parts from other manufacturers are used.
- Do not make any modifications to the automated system's components unless explicitly authorized by the Firm.
- Instruct the system's user on what residual risks may be encountered, on the control systems that have been applied and on how to open the system manually in an emergency. Give the user guide to the end user.
- Dispose of packaging materials (plastic, cardboard, polystyrene, etc.) in accordance with the provisions of the laws in force. Keep nylon bags and polystyrene out of reach of children.

WIRING

WARNING! For connection to the mains power supply, use: a multicore cable with a cross-sectional area of at least 5x1.5mm² or 4x1.5mm² when dealing with three-phase power supplies or 3x1.5mm² for single-phase supplies (by way of example, type H05 VV-F cable can be used with a cross-sectional area of 4x1.5mm²). To connect auxiliary equipment, use wires with a cross-sectional area of at least 0.5 mm².

- Only use pushbuttons with a capacity of 10A-250V or more.
- Wires must be secured with additional fastening near the terminals (for example, using cable clamps) in order to keep live parts well separated from safety extra low voltage parts.
- During installation, the power cable must be stripped to allow the earth wire to be connected to the relevant terminal, while leaving the live wires as short as possible. The earth wire must be the last to be pulled taut in the event the cable's fastening device comes loose.

WARNING! safety extra low voltage wires must be kept physically separate from low voltage wires.

Only qualified personnel (professional installer) should be allowed to access live parts.

CHECKING THE AUTOMATED SYSTEM AND MAINTENANCE

Before the automated system is finally put into operation, and during maintenance work, perform the following checks meticulously:

- Make sure all components are fastened securely.
- Check starting and stopping operations in the case of manual control.
- Check the logic for normal or personalized operation.
- Check that all safety devices are working properly and that the anti-crush safety device (if fitted) is set correctly.
- Impact forces can be reduced by using deformable edges.
- Make sure that the emergency operation works, where this feature is provided.
- Check opening and closing operations with the control devices applied.
- Check that electrical connections and cabling are intact, making extra sure that insulating sheaths and cable glands are undamaged.
- While performing maintenance, clean the sensors' optics.
- When the automatic door operator is out of service for any length of time, activate the emergency release (see "EMERGENCY OPERATION" section) so that the operated part is made idle, thus allowing the door to be opened and closed manually.
- If the power cord is damaged, it must be replaced by the manufacturer or their technical assistance department or other such qualified person to avoid any risk.
- The maintenance described above must be repeated at least once yearly or at shorter intervals where site or installation conditions make this necessary.

WARNING!

Remember that the drive is designed to make the gate/door easier to use and will not solve problems as a result of defective or poorly performed installation or lack of maintenance

SCRAPPING

Materials must be disposed of in accordance with the regulations in force. There are no particular hazards or risks involved in scrapping the automated system. For the purpose of recycling, it is best to separate dismantled parts into like materials (electrical parts - copper - aluminium - plastic - etc.).

DISMANTLING

If the automated system is being dismantled in order to be reassembled at another site, you are required to:

- Cut off the power and disconnect the whole electrical system.
- Remove the actuator from the base it is mounted on.
- Remove all the installation's components.
- See to the replacement of any components that cannot be removed or happen to be damaged.

THE DECLARATION OF CONFORMITY CAN BE VIEWED ON THIS WEBSITE: WWW.BFT.IT IN THE PRODUCT SECTION.

Anything that is not explicitly provided for in the installation manual is not allowed. The operator's proper operation can only be guaranteed if the information given is complied with. The Firm shall not be answerable for damage caused by failure to comply with the instructions featured herein.

While we will not alter the product's essential features, the Firm reserves the right, at any time, to make those changes deemed opportune to improve the product from a technical, design or commercial point of view, and will not be required to update this publication accordingly.

1) GENERAL OUTLINE

Motorised crosspiece for automatic double sliding doors (mod. **VISTA TL 2**) or four-leaf door (mod. **VISTA TL 4**).

Complete with control panel. Accessories available for producing a complete installation.

RIGHT-HANDED version (opening to the right, looking at the door from the inside, Fig. E) and LEFT-HANDED version (opening to the left, looking at the door from the inside, Fig. F) available for **VISTA TL 2** models.

2) TECHNICAL SPECIFICATIONS

MECHANICAL SPECIFICATIONS	
Opening width	mod. VISTA TL2 : 750 to 3250 mm
	mod. VISTA TL4 : 1600 to 4400 mm
Door load capacity	mod. VISTA TL2 : 120 kg x 2
	mod. VISTA TL4 : 80 kg x 4
Door size	mod. VISTA TL2 : 450 ÷ 1700 mm/door
	mod. VISTA TL4 : 450 ÷ 1150 mm/door
Protection rating	IP X0 (Not for installation outdoors)
Crosspiece dimensions	See Fig. C
ELECTRICAL SPECIFICATIONS	
Power supply	230V- 220V~ ±10%, 50Hz single-phase 120V~ ±15% 50/60Hz
Power input	Rated: 160W Maximum: 800 W
Fuses	see Fig. P
Accessories power supply	31,5 VDC max 500mA
Power supply V SAFE	24V max 30mA
Alarm output and door status	Contact max 24V 0,5A
Opening/closing speed	mod. VISTA TL2 : Adjustable up to 1 m/s
	mod. VISTA TL4 : Adjustable up to 2 m/s
Approach speed	mod. VISTA TL2 : in the range 5 to 10 cm/s in automatic mode
	mod. VISTA TL4 : in the range 10 to 20cm/s in automatic mode
Temperature range	-20°C (no condensation) + 50°C (inside cover)
Operating cycle	Continuous at 25°C
Emergency batteries	(optional extras) 2 x 12V 1.2Ah
Radio-receiver built-in Rolling-Code	Frequency 433.92 MHz
Max. n° of remotes that can be memorized	63

Usable transmitter versions:

All ROLLING CODE transmitters compatible with  ((€R-Ready))

3) PREPARING THE ELECTRICAL SYSTEM

Prepare the electrical system (fig. A), referring to the standards in force. Keep mains power connections well separated from service connections (photocells, safety edges, control devices, etc.).

Keep mains power connections well separated from safety extra low voltage connections. Secure the power cable by means of the cable clamp located in the transformer's cover. Connect the power cable so that the earth wire (yellow/green) is longer than the other wires.

4) IDENTIFICATION OF COMPONENTS (Fig. AA)

In the standard composition, the automated **VISTA TL** system is made up of:

- 1 Load-bearing header in oxidized aluminium
- 2 Power supply unit complete with bipolar switch, mains fuse and noise filter
- 3 Microprocessor-based control unit ARIA - EVO
- 4 DC gearbox
- 5 Optical encoder for detecting travel and checking for obstacles
- 6 Driven pulley
- 7 Drive belt
- 8 2 Door runners with 2 wheels on bearings, anti-derailment wheel, height and depth adjustable
- 9 Profile for fastening door leaves
- 10 Rubber travel limit stops
- 11 Rubber hinge

The following accessories are available to complete installation:

- 12 BBV Battery-powered panic device
- 13 ERV Electromagnetic bolt and manual release
- 14 VISTA SEL Digital function pushbutton unit (optional extra)

- 15 RIP Infrared radar operating over a narrow angle
- 16 FPA1 Photocells (1 amplifier, 1 transmitter, 1 receiver)
- FPA2 Photocells (1 amplifier, 2 transmitters, 2 receivers)
- 17 Cover
- 18 Brush (code P111618 L=14; code P111618 00001 L=20; code P111618 00002 L=27)
- 19 code P111660 sealing profile and code P111661 brackets for sealing profiles
- 20 RIP Automatic sliding door safety and opening sensor
- 21 PRV S20.A18 Floor guide for 20-mm door profiles + PRV S20GD.19TELESCOPIC
Floor guide for 20-mm door profiles (Fig. D)
- PRV L40 GD.70 Floor guide for 40-mm door profiles + PRV L40GD.78TELESCOPIC
Floor guide for 40-mm door profiles (Fig. D)
- PPA TL Glass doors calliper (Fig. AD)
- 22 SBV TL VISTA TL support beam


5) FASTENING METHOD

- Assembling the Cover (Fig. B).

- Cable Passage - drill the side panels to allow cables to pass through.

6) DETERMINING HEADER FASTENING HEIGHT (Fig. D)

The fastening height HFT of the VISTA TL header must be measured where the floor is at its highest (Fig. D). This is to prevent the possibility of the moving door leaf getting stuck once installation is finished. Once installed, the height of the doors can still be adjusted by means of the special adjusters on the runners (Fig. K).

 **WARNING:** The **VISTA TL** header must be fastened so that it is perfectly horizontal. This condition must be met to ensure that the automated system operates properly.

6.1) Fastening to wall (above an opening) (Fig.E-F)**6.2) Mounting between two walls (inside door opening space) (Fig. G)**

To position the header symmetrically with respect to the doorway opening, no matter what kind of installation you are dealing with (above an opening, inside an opening, etc.), you need to mark both the centre line of the structural opening and centre line of the VISTA TL header. Fasten the VISTA TL header, lining up the two marks (Fig. G).

7) POSSIBLE INSTALLATIONS

A number of installation methods for the automated system are listed below:

7.1) Wall mounting (Fig. I-D)

It is best to attach shims in line with the fastening holes already made in the header. That way, the fastening points will sit on a solid base and you will avoid the track bending while screws are being fastened. In the event fastening holes have to be drilled in addition to those already made, drill them approx. every 600-800 mm: this will also depend on what kind of surface you are dealing with (concrete, brick, wood, iron, etc.).

7.2) Ceiling mounting (Fig. AB)

This type of installation is particularly suitable if the door leaf and fixed panel are made from frameless glass, and hence are not load-bearing.


7.3) Incorporated in door frame (Fig. AC)

The supporting beam is incorporated in a load-bearing door frame or a flat profile is built into the frame that must be thick enough to fasten the **VISTA TL** header securely.

8) DOOR ASSEMBLY AND ADJUSTMENT**8.1) Framed doors**

For the measurement of door support profiles and the doors themselves, see Fig. AG-AI.

8.2) Glass doors (Fig. AD)

 The clamping system PPA can be used only for 10 mm-thick tempered glass doors or laminated safety glass doors.

It must not be used with double glazing. For the sake of simplicity, reference is made to glass doors from hereon in.

- No holes must be made in the sheet of glass
- Clamp PPA must be fastened to the door mounting profile as illustrated in Fig. AD.

9) DOOR INSTALLATION AND ADJUSTMENT

- Installing the Doors (Fig. J).
- Adjusting the Doors (Fig. K).

10) FLOOR GUIDE AND SLOW DOOR GUIDE (Fig. D)

- **Framed doors** (Fig. D)

- **Glass doors** (Fig. AD)


See the relevant instruction manual for their assembly.

11) ADJUSTING TRAVEL LIMIT STOPS (Fig. L)

If the positions of the RH and LH travel limit stops (parts. 10 Fig. AA) need to be fine-tuned, carefully check the travel and alignment of the runners carrying the doors. It is important to remember that the position of the travel limit stops also determine the control board's self-learning.

12) ARIA-EVO CONTROL BOARD

12.1) TERMINAL BOARD WIRING (Fig. P)

 **WARNINGS - When performing wiring and installation, refer to the standards in force and, whatever the case, apply good practice principles.**


The wires carrying a very low safe voltage (24V) must be kept physically separate from low-voltage wires, or they must be suitably insulated with at least 1mm of additional insulation. Wires must be secured with additional fastening near the terminals, using devices such as cable clamps.

13.1) FACTORY CONNECTIONS (Fig. P Rif. 1)

TERMINAL	DESCRIPTION
JP2-JP4	Power supply unit wiring JP2= brown JP4= white/blue
JP7-JP8	Gearbox wiring JP7=brown JP8=white/blue
JP12	Encoder wiring
JP19	Solenoid lock wiring

13.2) USER CONNECTIONS (Fig. N-P)

IMPORTANT NOTE: USE ONLY SHIELDED CABLES WITH EARTHED BRAIDING


TERMINAL	DESCRIPTION
L	PHASE
N	NEUTRAL
	EARTH
JP18	Universal palmtop programmer connector
JP10	Connector for additional optional boards
1	Controllers common
2	OPENING SAFE 1 (NC)
3	CLOSING SAFE 2 (NC)
4	STOP (NC) input
5	EXT. RADAR control (NO) input
6	INT. RADAR control (NO) input
7	OPEN KEY (NO) input
8	EMERGENCY input
9	Control common
10	OPENING SAFE 3 (NC)
11	CLOSING SAFE 4 (NC)
12-13	Test output for tested safety devices
14-15	Serial RS485. 14 = A 15 = B Connection to external programming devices. Controllers common Connection of remote door in cage mode
16-17	Accessories power supply
18-19-20	"Alarm" output 18 = NO (voltage-free contact) 19 = COM (voltage-free contact) 20 = NC (voltage-free contact)
21-22-23	"Door status" output 21 = NO (voltage-free contact) 22 = COM (voltage-free contact) 23 = NC (voltage-free contact)

14) CENTRAL PROGRAMMING (Fig.C1)

14.1) PARAMETER MENU (PR-Rf) (TABLE "A" PARAMETERS)

14.2) LOGIC MENU (LoLc) (TABLE "B" LOGIC)

14.3) RADIO MENU (rRd io)

Logic	Description
Rdd oPEn	Add Start Open associates the desired key with the Open command
Rdd KEY	Add Open Key associates the desired key with the Open Key command
ErRSE B4	Erase List  WARNING! Erases all memorized remote controls from the receiver's memory.
cod rH	Read receiver code Displays receiver code required for cloning remote controls.
Wk	ON = Enables remote programming of cards via a previously memorized W LINK transmitter. It remains enabled for 3 minutes from the time the W LINK remote control is last pressed. OFF = W LINK programming disabled.

- **IMPORTANT NOTE: THE FIRST TRANSMITTER MEMORIZED MUST BE IDENTIFIED BY ATTACHING THE KEY LABEL (MASTER).**

In the event of manual programming, the first transmitter assigns the RECEIVER'S KEY CODE: this code is required to subsequently clone the radio transmitters. The Clonix built-in on-board receiver also has a number of important advanced features:

- Cloning of master transmitter (rolling code or fixed code)
- Cloning to replace transmitters already entered in receiver
- Transmitter database management
- Receiver community management

To use these advanced features, refer to the universal handheld programmer's instructions and to the general receiver programming guide.

14.4) DEFAULT MENU (dEFrULt)

Restores the controller's default factory settings.

14.5) LANGUAGE MENU (LAnGUAGE)


Used to set the programmer's language on the display.

14.6) AUTOSSET MENU (AutosEt) (Fig. R)

When this function is activated, the parameters relating to door movement and obstacle detection are automatically set to their optimum values:

- Running speed during opening
- Running speed during closing
- Opening slow-down distance
- Closing slow-down distance
- Opening deceleration distance
- Closing deceleration distance
- Acceleration
- Deceleration
- Opening force
- Closing force

3 complete cycles are performed as the autoset function is run.

 **While autoset is running, the anti-crush function is not active. The door must not be stopped or slowed down at any point during its travel while autoset is running.**

14.7) STATISTICS MENU

Used to view the version of the board, the total number of operations (in hundreds), the number of transmitters memorized and the last 30 errors (the first 2 digits indicate the position, the last 2 give the error code). Error 01 is the most recent.

14.8) PASSWORD MENU

Used to set a password for the board's wireless programming.

15) CENTRAL OPERATION:

15.1) DOOR OPERATION MODE

Mode 0) Standard operation door (Fig. Q)

Reaction to commands:

- **Open key:**

Opens at high speed, closes at low speed. Opens and activates an Open-key operation, if activated while the door is open, it sets clear time to zero; reopens if activated during closing. With the door open, the clear-time countdown is active. During closing, photocells stop movement instead of reversing. Once they are cleared, closing is resumed following the TCA countdown. During the Open-key operation, the radars are not active.

- **External radar:**

Performs a high-speed cycle. Opens, with the door open, it triggers the automatic closing time; if activated while the door is open, it sets automatic closing time to zero. Following the automatic closing time, the door closes. During closing, it causes the door to open again. During closing, it carries out a reopening manoeuvre.

- **Internal radar:**

Performs a high-speed cycle. Opens, with the door open, it triggers the automatic closing time; if activated while the door is open, it sets automatic closing time to zero. Following the automatic closing time, the door closes. During closing, it causes the door to open again.

- Safety device during opening:

During opening, it stops movement until the photocell is cleared. With the door open, it sets the TCA or clear time to zero. If triggered, it prevents the door from starting to open and close.

- "Presence sensor" safety device:

During opening, movement takes place at slow speed; during other stages, it has no effect.

- Safety device during closing:

During closing, it reverses movement. With the door open, it sets the TCA or clear time to zero. If triggered, it prevents the door from starting to open and close.

- Stop:

Stops movement and cancels all commands.

Mode 1) Door closed at night

This differs from standard mode as follows:

- panic function not active.
- only Open-key input is active (opens quickly, stays open for clear time, closes slowly).
- during closing, the photocells stop movement for as long as they remain triggered, without reopening the door.

In cage mode, the internal and external doors are set as "closed by night".

Mode 2) Door closed by day

This differs from standard mode as follows:

- the door closes slowly and stays closed
- panic function active
- only Open-key input is active (opens quickly, stays open for clear time, closes slowly)
- during closing, the photocells stop movement for as long as they remain triggered, without reopening the door.

In cage mode, this type of operation is not permitted.

Mode 3) Totally opened door

This differs from standard mode as follows:

- the door opens totally at slow speed and stays open

Mode 4) Partially opened door

This differs from standard mode as follows:

- the door opens partially (distance according to "partial opening" setting) at slow speed and stays open.

In cage mode, this type of operation is not permitted.

Mode 5) Partial opening

This differs from standard mode as follows:

- like standard mode, except opening stops at the partial distance entered as the "partial opening" setting.

In cage mode, the internal and external doors are set as "partial open".

Mode 6) Chemist's opening

This differs from standard mode as follows:

- the door opens and closes at slow speed and stops at the value entered for "chemist's opening".
- only the Open-key command is enabled
- automatic closing is not enabled.
- during closing, the photocells stop movement for as long as they remain triggered, without reopening the door.

In cage mode, this type of operation is not permitted.

Mode 7) cage open to inside (Enabled in cage mode only)

The external door is set as "closed by day".

The internal door is set as "total open".

Mode 8) cage open to outside (Enabled in cage mode only)

The external door is set as "total open". The internal door is set as "closed by day".

15.2) RADAR OPERATION MODE**Mode 0) Radar in standard mode:**

- internal radar control enabled
- external radar control enabled

Mode 1) Internal radar:

- internal radar only enabled
- (in cage mode, only the radar inside the building is enabled)

Mode 2) External radar:

- external radar only enabled
- (in cage mode, only the radar outside the building is enabled)

15.3) Buzzer OPERATION MODE**Mode 0:**

he buzzer does not sound during opening/closing. It is only triggered in an emergency to report.

Mode 1:

The buzzer sounds at the beginning of each opening operation or when movement is reversed.

Mode 2:

The buzzer sounds at the beginning of each opening and closing operation or when movement is reversed.

Mode 3:

The buzzer sounds for the full duration of operation.

Mode 4:

The buzzer sounds during opening if the opening photocell is occupied.

15.4) LOCKING DEVICE OPERATION MODE**Mode 0:**

Motor always free (lock always powered).

Mode 1:

Motor locked on closing position.

Mode 2:

Motor locked every time it is stopped.

Mode 3:

Motor locked every time it is stopped for more than 20 sec.

Mode 4:

Motor reacts with 10N to forced opening.

Mode 5:

Motor reacts with maximum force to forced opening.

Mode 6:

"Elastic". Only use in installations fitted with the "VISTA ELA" kit.

Mode 7:

Use only with installations fitted with "ELA SL 24.B KIT". For details regarding the operation refer to the relative manual.

Mode 8:

Use only with installations fitted with "ELA SL 24.B KIT". For details regarding the operation refer to the relative manual.

15.5) EMERGENCY INPUT OPERATION MODE**Mode 0:**

NO input, opens and stays open for as long as the input is active.

Mode 1:

NO input, closes and stays closed for as long as the input is active.

Mode 2:

NC input, opens and stays open for as long as the input is active.

Mode 3:

NC input, closes and stays closed for as long as the input is active.

15.6) ALARM OUTPUT OPERATION MODE

The alarm output is activated in the following cases:

- the door stays open as a result of the photocell being triggered for longer than the time entered for the "alarm_time" parameter;
- there is an obstacle alarm;
- opening is being forced while the door is applying an opposite force (lock mode = 4 or 5);

The alarm output is deactivated in the following cases:

- when the closing travel limit is reached
- when the stop key is pressed

15.7) DOOR STATUS OUTPUT OPERATION MODE**Mode 0:**

Output active if the door is not fully closed

Mode 1:

Output active if the door is not fully open

15.8) ANTI-PANIC FUNCTION

"ON" When there is no mains power and the battery is connected, the door performs a complete opening cycle and then stops in the open position.

"OFF" When there is no mains power, the door opens and stays open if battery voltage drops below 20V.

15.9) ANTI-CRUSH FEATURE

If an obstacle interferes with the door's movement, slowing it down, the door's movement is reversed during closing, or it is stopped during opening. The sensitivity can be adjusted via the display by modifying the opening force and closing force parameters.

15.10) CONNECTING A NUMBER OF DOORS WITH CENTRAL CONTROL PANELS (Fig. AH)

Refer to the U-link module's instructions.

Serial line connections to produce a hardwired centralized control system must be made using only 2-wire cabling of the kind used for telephone systems.

The length of the cable between one unit and the next must not be greater than 250 m.

The master panel is the one that sends commands to all the other panels belonging to the same zone. Only one master can be specified per zone. A zone comprises one or more doors connected to each other. Different zones are identified separately with a different number, which can be set via the **DISPLAY** or using a **universal handheld programmer**.

Possible commands through a central controller are:

- a) Open-key via button. All doors belonging to the same zone open and, once the set clear time is up, close again, returning to the mode set with the master unit's mode selector. This command is useful for entering in the morning and leaving once the closed by night function has been set.
- b) Closed by night. All doors belonging to the zone enter closed-by-night mode.
- c) Closed by day. All doors belonging to the zone enter closed-by-day mode.
- d) Total/partial opening. All doors belonging to the zone enter total/partial-open mode.
- e) Internal/external radar or with external radar only. All doors belonging to the zone open with internal radar only.

15.11) CONNECTING 2 DOORS IN cage MODE (Fig. AF)

Connections and settings:

cage mode comprises 2 automatic doors, connected via 485 serial line:

- (1) EXTERNAL
- (2) INTERNAL

3 radars are connected:

- (A) EXTERNAL RADAR (connected to the EXTERNAL card's external radar)
- (B) CENTRAL RADAR (connected to the EXTERNAL card's internal radar)
- (C) INTERNAL RADAR (connected to the INTERNAL card's internal radar)

All the other activation and safety inputs are managed autonomously by the INTERNAL and EXTERNAL door. To set cage mode, you must:

- set CAGE=2 on the EXTERNAL door
- Set CAGE=1 on the INTERNAL door

Definition of individual radar modes**• Radar A external door (1)**

With doors closed, it activates opening of the external door and allows entry inside the cage door. If the internal door is open, this door is closed before the external door is opened. **In the event of simultaneous operations, the external door is given priority.** Once the external door is closed, it activates opening of the internal door and allows entry inside the building.

- **Radar B**
positioned in the middle of the cage door. In normal mode, it detects the presence of a person inside the cage door and, during exit, allows the external door to open once the internal door has closed. In an emergency, once the person has entered the cage door, if the other door fails to open, it allows the door they have just entered through to be opened again.
- **Radar C internal door (2)**
With doors closed, it activates opening of the internal door and allows entry inside the cage door from inside the building. If the external door is open, this door is closed before the internal door is opened. **In the event of simultaneous operations, the external door is given priority.**

16) U-LINK OPTIONAL MODULES
Refer to the U-link instructions for the modules.

- 17) RESTORING FACTORY SETTINGS (Fig.5)**
WARNING: this operation will restore the control unit's factory settings and all transmitters stored in its memory will be deleted.
WARNING! Incorrect settings can result in damage to property and injury to people and animals.
- Cut off power to the board (Fig.5 ref.1)
 - Open the Stop input and press the - and OK keys together (Fig.5 ref.2)
 - Switch on the board's power (Fig.5 ref.3)
 - The display will read RST; confirm within 3 sec. by pressing the OK key (Fig.5 ref.4)
 - Wait for the procedure to finish (Fig.5 ref.5)
 - Procedure finished (Fig.5 ref.6)

15.12) DIRECTION REVERSAL FIG. AK

TABLE "A" PARAMETERS MENU (PR-Rf)

PARAMETER	MIN	MAX	DEFAULT	PERSONAL	DEFINITION	DESCRIPTION
tcR	0	60	4		Automatic closing time [s]	
cLEAr t.	1	99	30		Clearance Time [s]	
ALARm t tPE	1	90	30		Alarm time [s]	Once the set time is up, if photocells are triggered, the ALARM contact is closed (Sect. ALARM OUTPUT OPERATION MODE)
PRt IRL oPEn InG	10	70	50		Partial opening [%]	Adjusts partial opening percentage compared to total opening in "Partial open" mode.
chEN t oPEn InG	3	30	12		Chemist's opening [cm] (CHAR 59) *	Centimetres the door opens by in "Chemist's open" mode.
AccEL.	1	10	5		Acceleration ramp [] (Fig. C2 Rif. A) (CHAR PERC 41) *	Sets door acceleration at start (1=min., 10=max.). The autaset feature sets this parameter automatically. Should this parameter be edited, it will be followed by a complete opening/closing cycle for setting purposes (reported by the buzzer emitting a continuous beeping sound and the message 5E€ appearing on the display), during which obstacle detection is not enabled.
brAKE	1	10	5		Deceleration ramp [] (Fig. C2 Rif. B)	Sets the door's deceleration for intermediate stopping (not at travel limit). (1=min., 10=max.). The autaset feature sets this parameter automatically. Should this parameter be edited, it will be followed by a complete opening/closing cycle for setting purposes (reported by the buzzer emitting a continuous beeping sound and the message 5E€ appearing on the display), during which obstacle detection is not enabled.
oPd tSt. SLoUd	1	20	2		Opening approach distance [cm] (Fig. C2 Rif. E)	Sets the approach distance to reach the opening travel limit. This distance is travelled at low speed.
cLd tSt. SLoUd	1	20	2		Closing approach distance [cm] (Fig. C2 Rif. F)	Sets the approach distance to reach the closing travel limit. This distance is travelled at low speed.
oPd tSt. dEcEL	10	70	50		Opening deceleration space [cm] (Fig. C2 Rif. C)	Sets the distance needed for the door to move from high to low speed during an opening operation. The autaset function automatically sets this parameter. Any modification to this parameter will be followed by a complete setting manoeuvre (reported by the buzzer emitting a continuous beeping sound and the message 5E€ appearing on the display), during which obstacle recognition is not active.
cLd tSt. dEcEL	10	70	50		Closing deceleration space [cm] (Fig. C2 Rif. D)	Sets the distance needed for the door to move from high to low speed during a closing operation. The autaset function automatically sets this parameter. Any modification to this parameter will be followed by a complete setting manoeuvre (reported by the buzzer emitting a continuous beeping sound and the message 5E€ appearing on the display), during which obstacle recognition is not active.
oP SPEEd	4	99	60		Running speed during opening [%] (Fig. C2 Rif. G)	Sets the running speed that the door must reach during opening, as a percentage of the maximum speed the actuator can reach. The autaset feature sets this parameter automatically. Should this parameter be edited, it will be followed by a complete opening/closing cycle for setting purposes (reported by the buzzer emitting a continuous beeping sound and the message 5E€ appearing on the display), during which obstacle detection is not enabled.
cL SPEEd	4	99	60		Running speed during closing [%] (Fig. C2 Rif. H)	Sets the running speed that the door must reach during closing, as a percentage of the maximum speed the actuator can reach. The autaset feature sets this parameter automatically. Should this parameter be edited, it will be followed by a complete opening/closing cycle for setting purposes (reported by the buzzer emitting a continuous beeping sound and the message 5E€ appearing on the display), during which obstacle detection is not enabled.
oPForcE	1	99	75		Opening force [%]	Sets sensitivity to obstacles during opening (1=max., 99=min.). The autaset feature sets this parameter automatically to a value of 10%. The user can edit this parameter based on how sensitive the door needs to be to obstacles.
cL5ForcE	1	99	75		Closing force [%]	Sets sensitivity to obstacles during closing (1=max., 99=min.). The autaset feature sets this parameter automatically to a value of 10%. The user can edit this parameter based on how sensitive the door needs to be to obstacles.

* Refer for universal handheld programmer.

TABELLA "B" MENU LOGICHE (L.05 ic)

LOGIC	DEFINITION	DEFAULT	Cross out using setting	DESCRIPTION
<i>t c R</i>	Automatic closing time	1	1 0	Automatic Closing ON/OFF (TCA and Clear Time)
<i>R n t i P R n i c</i>	Panic opening (battery) (LOGIC 83)*	0	1 0	Panic Feature ON/OFF (Section ANTI-PANIC FUNCTION)
<i>r R n b l o u c o P</i>	Hammer during opening	0	1 0	Hammer ON/OFF during opening
<i>i n u . d i r .</i>	Open in other direction	0	1 0	Change this parameter if the opening direction needs to be changed. Fig. AJ Standard operating mode. Fig. AJ
<i>S A F E 1</i>	Configuration of safety input SAFE 1. (Fig. Q1, Q2, Q3, Q4) (Fig. R1, R2, R3, R4)	0	0 1 2 3 4 5	Input configured as active safety during opening. Input configured as active safety during opening and check that the operation is correct at the start of every procedure. Input configured as active safety during closing. Input configured as active safety during closing and check that the operation is correct at the start of every procedure. Input configured as active safety during opening with "detection zone". Input configured as active safety during opening with "detection zone" and check that the operation is correct at the start of every procedure.
<i>S A F E 2</i>	Configuration of safety input SAFE 2. (Fig. Q1, Q2, Q3, Q4) (Fig. R1, R2, R3, R4)	2	0 1 2 3 4 5	Input configured as active safety during opening. Input configured as active safety during opening and check that the operation is correct at the start of every procedure. Input configured as active safety during closing. Input configured as active safety during closing and check that the operation is correct at the start of every procedure. Input configured as active safety during opening with "detection zone". Input configured as active safety during opening with "detection zone" and check that the operation is correct at the start of every procedure.
<i>S A F E 3</i>	Configuration of safety input SAFE 3. (Fig. Q1, Q2, Q3, Q4) (Fig. R1, R2, R3, R4)	0	0 1 2 3 4 5	Input configured as active safety during opening. Input configured as active safety during opening and check that the operation is correct at the start of every procedure. Input configured as active safety during closing. Input configured as active safety during closing and check that the operation is correct at the start of every procedure. Input configured as active safety during opening with "detection zone". Input configured as active safety during opening with "detection zone" and check that the operation is correct at the start of every procedure.
<i>S A F E 4</i>	Configuration of safety input SAFE 4. (Fig. Q1, Q2, Q3, Q4) (Fig. R1, R2, R3, R4)	2	0 1 2 3 4 5	Input configured as active safety during opening. Input configured as active safety during opening and check that the operation is correct at the start of every procedure. Input configured as active safety during closing. Input configured as active safety during closing and check that the operation is correct at the start of every procedure. Input configured as active safety during opening with "detection zone". Input configured as active safety during opening with "detection zone" and check that the operation is correct at the start of every procedure.
<i>E M E R G E N C Y</i>	Emergency input operating mode.	0	0 1 2 3	Emergency mode []. Sets the EMERGENCY input operating mode (Sect. EMERGENCY INPUT OPERATION MODE)
<i>d o o r S T A T U S</i>	Door state output operating mode.	0	0 1	Door state output mode []. Sets the DOOR STATE output's operating mode (Sect. DOOR STATUS OUTPUT OPERATION MODE)
<i>T Y P E o f L o c k</i>	Locking device operating mode	1	0 1 2 3 4 5 6 7 8	Lock mode []. Sets the locking device's operating mode (Sect. LOCKING DEVICE OPERATION MODE)
<i>F I X E d c o d E</i>	Fixed Code	0	1 0	ON: Receiver is configured for operation in fixed-code mode. OFF: Receiver is configured for operation in rolling-code mode.

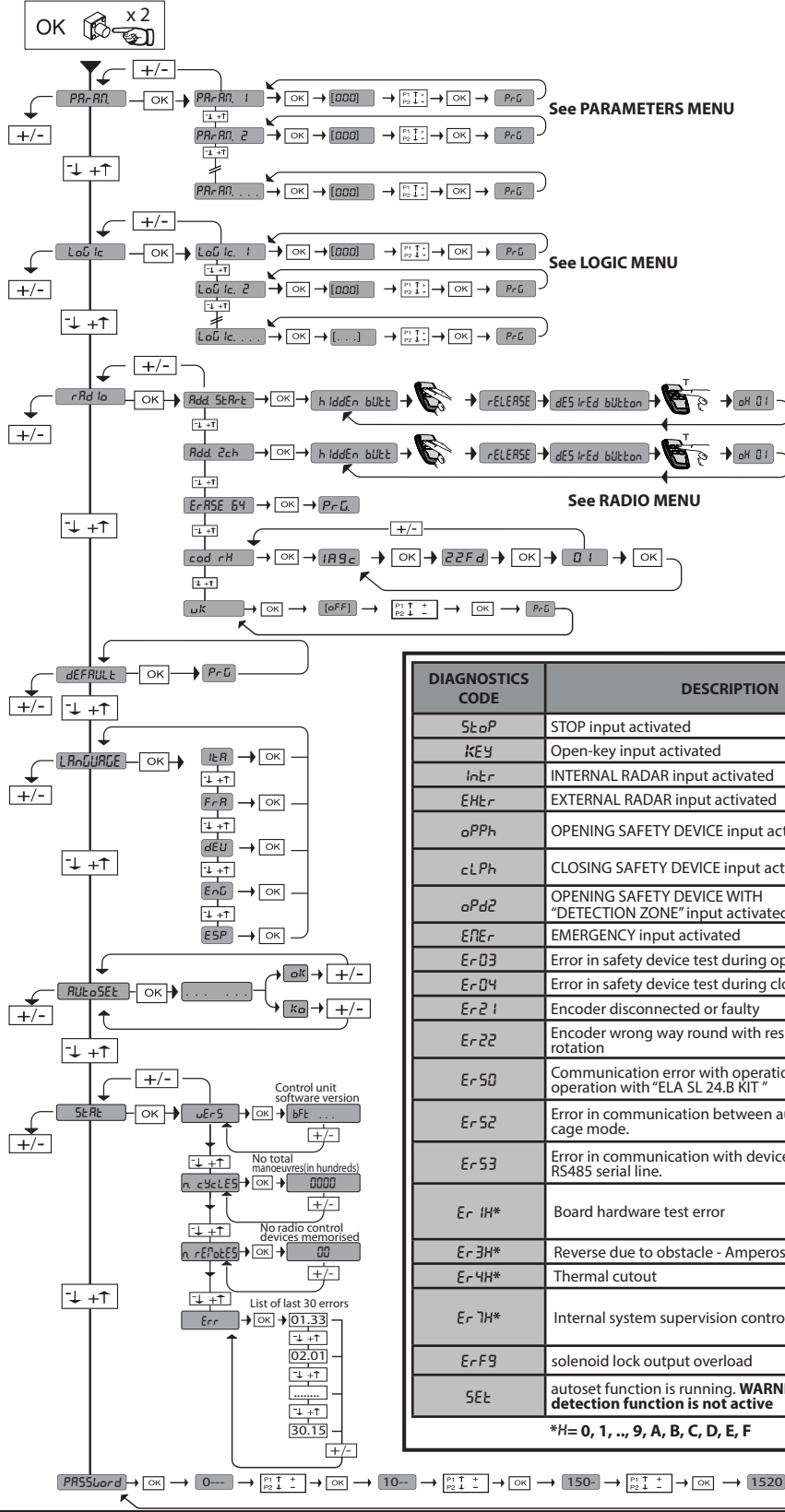
INSTALLATION MANUAL

D812041 00100_01

LOGIC	DEFINITION	DEFAULT	Cross out using setting	DESCRIPTION
<i>Prot. LEU</i>	Setting the protection level	0	0	<p>A - The password is not required to access the programming menus</p> <p>B - Enables wireless memorizing of transmitters. Operations in this mode are carried out near the control panel and do not require access: - Press in sequence the hidden key and normal key (T1-T2-T3-T4) of a transmitter that has already been memorized in standard mode via the radio menu. - Press within 10 sec. the hidden key and normal key (T1-T2-T3-T4) of a transmitter to be memorized. The receiver exits programming mode after 10 sec.: you can use this time to enter other new transmitters by repeating the previous step.</p> <p>C - Enables wireless automatic addition of clones. Enables clones generated with the universal programmer and programmed Replays to be added to the receiver's memory.</p> <p>D - Enables wireless automatic addition of replays. Enables programmed Replays to be added to the receiver's memory.</p> <p>E - The board's parameters can be edited via the U-link network</p>
			1	<p>A - You are prompted to enter the password to access the programming menus The default password is 1234. No change in behaviour of functions B - C - D - E from 0 logic setting</p>
			2	<p>A - You are prompted to enter the password to access the programming menus The default password is 1234.</p> <p>B - Wireless memorizing of transmitters is disabled.</p> <p>C - Wireless automatic addition of clones is disabled. No change in behaviour of functions D - E from 0 logic setting</p>
			3	<p>A - You are prompted to enter the password to access the programming menus The default password is 1234.</p> <p>B - Wireless memorizing of transmitters is disabled.</p> <p>D - Wireless automatic addition of Replays is disabled. No change in behaviour of functions C - E from 0 logic setting</p>
			4	<p>A - You are prompted to enter the password to access the programming menus The default password is 1234.</p> <p>B - Wireless memorizing of transmitters is disabled.</p> <p>C - Wireless automatic addition of clones is disabled.</p> <p>D - Wireless automatic addition of Replays is disabled.</p> <p>E - The option of editing the board's parameters via the U-link network is disabled. Transmitters are memorized only using the relevant Radio menu. IMPORTANT: This high level of security stops unwanted clones from gaining access and also stops radio interference, if any.</p>
<i>SERIAL Mode</i>	Serial mode (Identifies how board is configured in a BFT network connection).	0	0	Standard SLAVE: board receives and communicates commands/diagnostics/etc.
			1	Standard MASTER: board sends activation commands (START, OPEN, CLOSE, PED, STOP) to other boards.
<i>ADDRESS</i>	Address	0	[____]	Identifies board address from 0 to 119 in a local BFT network connection. (see SCS OPTIONAL MODULES section U-LINK)"
<i>door Mode</i>	Automatic door operating mode (LOGIC 72)*	0	0	Door mode []. Sets the door's operating mode (Sect. DOOR OPERATION MODE)
			1	
			2	
			3	
			4	
			5	
			6	
			7	
<i>radar SETUP</i>	Activation radar ON (LOGIC 73)*	0	0	Radar mode []. Sets the radars' operating mode (Sect. RADAR OPERATION MODE)
			1	
			2	
<i>buzzer</i>	Buzzer operating mode (LOGIC 74)*	0	0	Buzzer mode []. Sets the buzzer's operating mode (Sect. RADAR OPERATION MODE)
			1	
			2	
			3	
<i>revolu in</i>	"Cage" mode operating mode (LOGIC 75)*	0	0	0 Single door mode Internal/External door (Sect. CONNECTING 2 DOORS IN cage MODE) 2 Door set as EXTERNAL in "Revolving" mode. 1 Door set as INTERNAL in "Revolving" mode.
			1	
			2	

* Refer for universal handheld programmer.

ACCESS MENUS Fig. C1



LEGENDA

↑ Scroll up

↓ Scroll down

OK Confirm/Switch on display

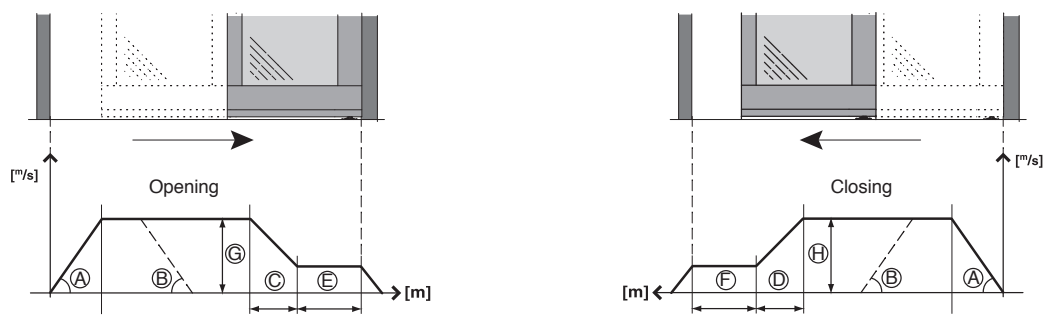
+ Exit Menü

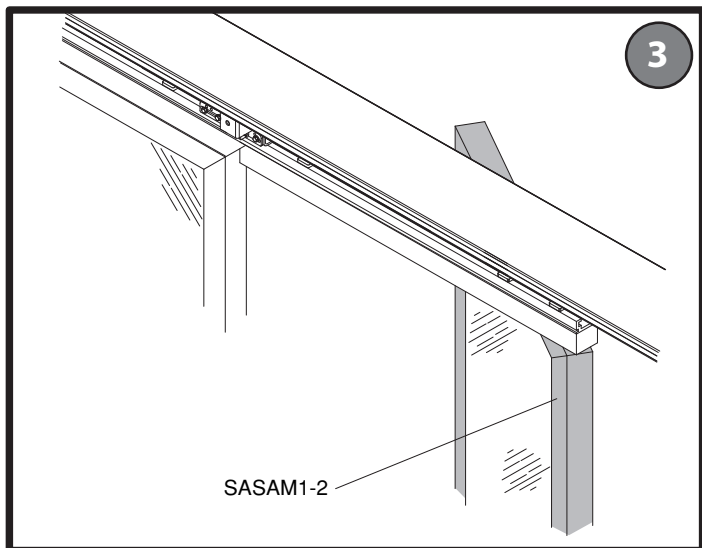
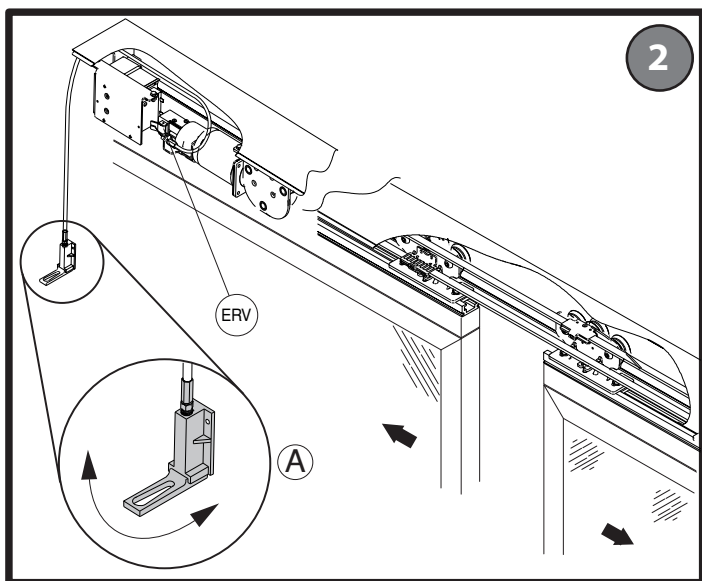
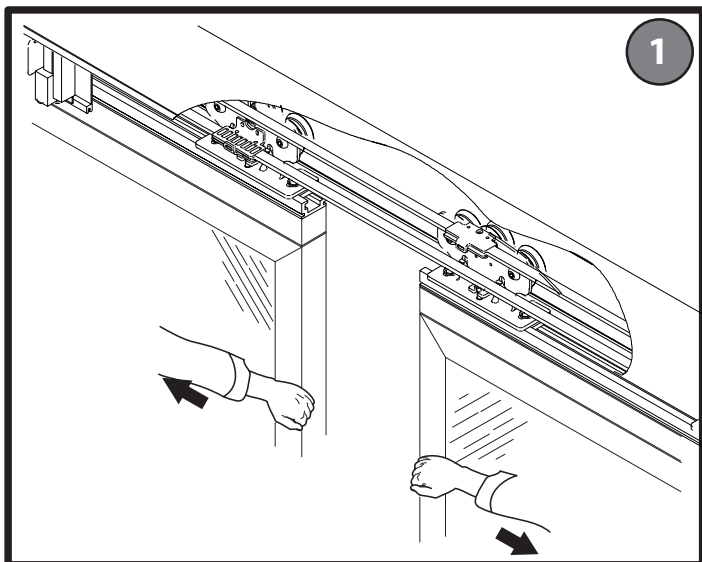
- Exit Menü

DIAGNOSTICS CODE	DESCRIPTION	NOTES
StoP	STOP input activated	
KEy	Open-key input activated	
InEr	INTERNAL RADAR input activated	
EHtR	EXTERNAL RADAR input activated	
oPPh	OPENING SAFETY DEVICE input activated	
cLPh	CLOSING SAFETY DEVICE input activated	
oPd2	OPENING SAFETY DEVICE WITH "DETECTION ZONE" input activated	
ENEr	EMERGENCY input activated	
Er03	Error in safety device test during opening	
Er04	Error in safety device test during closing	
Er21	Encoder disconnected or faulty	
Er22	Encoder wrong way round with respect to motor rotation	
Er50	Communication error with operation board for operation with "ELA SL 24.B KIT"	
Er52	Error in communication between automatic doors in cage mode.	
Er53	Error in communication with devices connected to RS485 serial line.	
Er 1H*	Board hardware test error	- Check connections to motor - Hardware problems with board (contact technical assistance)
Er 3H*	Reverse due to obstacle - Amperostop	Check for obstacles in path
Er 4H*	Thermal cutout	Allow automated device to cool
Er 7H*	Internal system supervision control error.	Try switching the board off and back on again. If the problem persists, contact the technical assistance department.
ErF9	solenoid lock output overload	check solenoid lock connections
SEt	autoset function is running. WARNING! Obstacle detection function is not active	

*H= 0, 1, .., 9, A, B, C, D, E, F

Fig. C2





Questo prodotto risponde alle norme riconosciute della tecnica e della disposizioni relative alla sicurezza se correttamente installato da personale qualificato ed esperto (installatore professionale).
L'automazione, se installata ed utilizzata correttamente, soddisfa gli standard di sicurezza nell'uso. Tuttavia è opportuno osservare alcune regole di comportamento per evitare inconvenienti accidentali:

- Tenere bambini, persone e cose fuori dal raggio d'azione dell'automazione, in particolare durante il movimento.
- Non permettere a bambini di giocare o sostare nel raggio di azione dell'automazione.
- Questa automazione non è destinata all'uso da parte di bambini o da parte di persone con ridotte capacità mentali, fisiche e sensoriali, o persone che mancano di conoscenze adeguate a meno che esse non abbiano potuto beneficiare, attraverso l'intermediazione di una persona responsabile della loro sicurezza, di una sorveglianza o di istruzioni riguardanti l'uso dell'apparecchio.
- I bambini devono essere sorvegliati per sincerarsi che non giochino con l'apparecchio. Non permettere ai bambini di giocare con i controlli fissi. Tenere i telecomandi lontani dai bambini.
- Evitare di operare in prossimità delle cerniere o organi meccanici in movimento.
- Non contrastare il movimento dell'anta e non tentare di aprire manualmente la porta se non è stato sbloccato l'attuatore con l'apposita manopola di sblocco.
- Non entrare nel raggio di azione della porta o cancello motorizzati durante il loro movimento.
- Non lasciare radiocomandi o altri dispositivi di comando alla portata dei bambini onde evitare azionamenti involontari.
- L'attivazione dello sblocco manuale potrebbe causare movimenti incontrollati della porta se in presenza di guasti meccanici o di condizioni di squilibrio.
- In caso di apritapparelle: sorvegliare la tapparella in movimento e tenere lontano le persone finché non è completamente chiusa. Porre cura quando si aziona lo sblocco se presente, poiché una tapparella aperta potrebbe cadere rapidamente in presenza di usura o rotture.
- La rottura o l'usura di organi meccanici della porta (parte guidata), quali ad esempio cavi, molle, supporti, cardini, guide.. potrebbe generare pericoli. Far controllare periodicamente l'impianto da personale qualificato ed esperto (installatore professionale) secondo quanto indicato dall'installatore o dal costruttore della porta.
- Per ogni operazione di pulizia esterna, togliere l'alimentazione di rete.
- Tenere pulite le ottiche delle fotocellule ed i dispositivi di segnalazione luminosa. Controllare che rami ed arbusti non disturbino i dispositivi di sicurezza.
- Non utilizzare l'automatismo se necessita di interventi di riparazione. In caso di guasto o di malfunzionamento dell'automazione, togliere l'alimentazione di rete sull'automazione, astenersi da qualsiasi tentativo di riparazione o intervento diretto e rivolgersi solo a personale qualificato ed esperto (installatore professionale) per la necessaria riparazione o manutenzione. Per consentire l'accesso, attivare lo sblocco di emergenza (se presente).
- Per qualsiasi intervento diretto sull'automazione o sull'impianto non previsto dal presente manuale, avvalersi di personale qualificato ed esperto (installatore professionale).
- Con frequenza almeno annuale far verificare l'integrità e il corretto funzionamento dell'automazione da personale qualificato ed esperto (installatore professionale), in particolare di tutti i dispositivi di sicurezza.
- Gli interventi d'installazione, manutenzione e riparazione devono essere documentati e la relativa documentazione tenuta a disposizione dell'utilizzatore.
- Il mancato rispetto di quanto sopra può creare situazioni di pericolo.

Tutto quello che non è espressamente previsto nel manuale d'uso, non è permesso. Il buon funzionamento dell'operatore è garantito solo se vengono rispettate le prescrizioni riportate in questo manuale. La Ditta non risponde dei danni causati dall'insosservanza delle indicazioni riportate in questo manuale. Lasciando inalterate le caratteristiche essenziali del prodotto, la Ditta si riserva di apportare in qualunque momento le modifiche che essa ritiene convenienti per migliorare tecnicamente, costruttivamente e commercialmente il prodotto, senza impegnarsi ad aggiornare la presente pubblicazione.

2) MANUTENZIONE

- Ad ogni sintomo di anomalie o malfunzionamento rivolgersi solo a personale qualificato.
- Effettuare una revisione periodica dell'automazione ogni 6 mesi o comunque dopo 1.000.000 di manovre.

3) MANOVRA DI EMERGENZA

3.1) Senza dispositivi di blocco o di batterie tampone (Fig. 1).
Le porte si aprono spingendo manualmente le ante nel verso di scorrimento apertura oppure se installato il sistema a sfondamento SASAM 1-2, è sufficiente spingere frontalmente le ante nel verso della via di fuga.

3.2) Con elettroserratura mod. ERV (Fig. 2).

In presenza del dispositivo elettroserratura mod. ERV, bisogna attivare il comando di sblocco manuale. La levetta di comando (Fig. 2 Rif. A) è situata nei pressi della motorizzazione. Tirando verso il basso la levetta, l'elettroserratura viene sbloccata manualmente e le ante si possono spingere a mano nel verso di scorrimento apertura. Per ripristinare l'elettroserratura, spingere la levetta verso l'alto (Fig. 2 Rif. A).
Per l'installazione dello sblocco manuale ERV attenersi alle istruzioni specifiche di montaggio.
ATTENZIONE! L'installatore si impegna ad istruire l'utente circa l'uso dello sblocco per le manovre di emergenza.

3.3) Con dispositivi di ante a sfondamento mod. SASAM1-2 (Fig. 3).

Nel caso di ante a sfondamento, è sufficiente spingere frontalmente le ante affinché si aprano come una porta battente nel verso della via di fuga indicata. Quando vengono azionate le ante a sfondamento, un contatto elettrico blocca l'automazione fino al ripristino della posizione di scorrimento delle ante. Per ripristinare il funzionamento è sufficiente riportare l'anta nella sua posizione di normale scorrimento. Per l'installazione del dispositivo SASAM attenersi alle istruzioni specifiche di montaggio.

ENGLISH

USER'S MANUAL

WARNING! Important safety instructions. Carefully read and comply with the Warnings and Instructions that come with the product as improper use can cause injury to people and animals and damage to property. Keep the instructions for future reference and hand them on to any new users. This product is meant to be used only for the purpose for which it was explicitly installed. Any other use constitutes improper use and, consequently, is hazardous. The manufacturer cannot be held liable for any damage as a result of improper, incorrect or unreasonable use.

1) GENERAL SAFETY

Thank you for choosing this product. The Firm is confident that its performance will meet your operating needs.
This product meets recognized technical standards and complies with safety provisions when installed correctly by qualified, expert personnel (professional installer).
If installed and used correctly, the automated system will meet operating safety standards. Nonetheless, it is advisable to observe certain rules of behaviour so that accidental problems can be avoided:

- Keep adults, children and property out of range of the automated system, especially while it is moving.
- Do not allow children to play or stand within range of the automated system.
- This automated system is not meant for use by children or by people with impaired mental, physical or sensory capacities, or people who do not have suitable knowledge, unless a person who is responsible for their safety provides them with necessary supervision or instructions on how to use the device.
- Children must be supervised to ensure they do not play with the device. Do not allow children to play with the fixed controls. Keep remote controls out of reach of children.
- Do not work near hinges or moving mechanical parts.
- Do not hinder the leaf's movement and do not attempt to open the door manually unless the actuator has been released with the relevant release knob.
- Keep out of range of the motorized door or gate while they are moving.
- Keep remote controls or other control devices out of reach of children in order to avoid the automated system being operated inadvertently.
- The manual release's activation could result in uncontrolled door movements if there are mechanical faults or loss of balance.
- When using roller shutter openers: keep an eye on the roller shutter while it is moving and keep people away until it has closed completely. Exercise care when activating the release, if such a device is fitted, as an open shutter could drop quickly in the event of wear or breakage.

ITALIANO

MANUALE D'USO

ATTENZIONE! Importanti istruzioni di sicurezza. Leggere e seguire attentamente le Avvertenze e le Istruzioni che accompagnano il prodotto poiché un uso improprio può causare danni a persone, animali o cose. Conservare le istruzioni per consultazioni future e trasmetterle ad eventuali subentranti nell'uso dell'impianto.
Questo prodotto dovrà essere destinato solo all'uso per il quale è stato espressamente installato. Ogni altro uso è da considerarsi improprio e quindi pericoloso. Il costruttore non può essere considerato responsabile per eventuali danni causati da usi impropri, erronei e irragionevoli.

1) SICUREZZA GENERALE

Nel ringraziarVi per la preferenza accordata a questo prodotto, la Ditta è certa che da esso otterrete le prestazioni necessarie al Vostro uso.



- The breakage or wear of any mechanical parts of the door (operated part), such as cables, springs, supports, hinges, guides..., may generate a hazard. Have the system checked by qualified, expert personnel (professional installer) at regular intervals according to the instructions issued by the installer or manufacturer of the door.
- When cleaning the outside, always cut off mains power.
- Keep the photocells' optics and illuminating indicator devices clean. Check that no branches or shrubs interfere with the safety devices.
- Do not use the automated system if it is in need of repair. In the event the automated system breaks down or malfunctions, cut off mains power to the system; do not attempt to repair or perform any other work to rectify the fault yourself and instead call in qualified, expert personnel (professional installer) to perform the necessary repairs or maintenance. To allow access, activate the emergency release (where fitted).
- If any part of the automated system requires direct work of any kind that is not contemplated herein, employ the services of qualified, expert personnel (professional installer).
- At least once a year, have the automated system, and especially all safety devices, checked by qualified, expert personnel (professional installer) to make sure that it is undamaged and working properly.
- A record must be made of any installation, maintenance and repair work and the relevant documentation kept and made available to the user on request.
- Failure to comply with the above may result in hazardous situations.

Anything that is not explicitly provided for in the user guide is not allowed. The operator's proper operation can only be guaranteed if the instructions given herein are complied with. The Firm shall not be answerable for damage caused by failure to comply with the instructions featured herein. While we will not alter the product's essential features, the Firm reserves the right, at any time, to make those changes deemed opportune to improve the product from a technical, design or commercial point of view, and will not be required to update this publication accordingly.

2) MAINTENANCE

- For any symptom of anomaly or malfunction, only refer to qualified personnel.
- Carry out a periodical revision of the automation system every 6 months or, in any case, after 1,000,000 manoeuvres.

3) EMERGENCY MANOEUVRE

3.1) Without locking devices or buffer batteries (Fig. 1).

Open the doors by manually pushing the leaves in the slide-open direction, or, when the SASAM 1-2 breakout system is installed, simply push the leaves open towards the escape route.

3.2) With ERV mod. electric lock (Fig. 2).

When the ERV mod. device is fitted, activate the manual release control. The control lever is situated near the motor drive. When the lever (Fig. 2 Rif. A) is pulled downwards, the electric lock is manually released and the leaves can be pushed by hand in the slide-open direction. To restore the electric lock, push the lever upwards (Fig. 2 Rif. A).

Refer to the specific assembly instructions to install the ERV manual release.

WARNING! The installer undertakes to instruct the user on how to use the release for emergency operation.

3.3) With breakout door devices mod. SASAM1-2 (Fig. 3)

In the case of breakout doors, simply pushing the door leaves head on causes them to swing open like a hinged door in the direction of the indicated escape route. When breakout doors are operated, an electric contact locks out the automated system until the door leaves have been returned to their sliding position. To restore operation, simply move the door leaf back to its normal sliding position. Refer to the specific assembly instructions to install the SASAM device.

FRANÇAIS

MANUEL D'UTILISATION

ATTENTION ! Instructions de sécurité importantes. Veuillez lire et suivre attentivement tous les avertissements et toutes les instructions fournis avec le produit sachant qu'un usage incorrect peut provoquer des préjudices aux personnes, aux animaux ou aux biens. Veuillez conserver les instructions pour d'ultérieures consultations et pour les transmettre aux propriétaires futurs éventuels.

Cet appareil ne peut être destiné qu'à l'usage pour lequel il a été expressément installé. Tout autre usage sera considéré comme impropre et donc dangereux. Le fabricant ne sera en aucun cas considéré comme responsable des préjudices dus à un usage impropre, erroné ou déraisonnable.

1) SECURITE GÉNÉRALE

Nous vous remercions d'avoir choisi ce produit qui, nous n'en doutons pas, saura vous garantir les performances attendues.

Ce produit, correctement installé par du personnel qualifié et expérimenté (monteur professionnel) est conforme aux normes reconnues de la technique et des prescriptions de sécurité.

Si l'automatisation est montée et utilisée correctement, elle garantit la sécurité d'utilisation prescrite. Il est cependant nécessaire de respecter certaines règles de comportement pour éviter tout inconvénient accidentel.

- Tenir les enfants, les personnes et les objets à l'écart du rayon d'action de l'automatisation, en particulier pendant son fonctionnement.
- Empêcher les enfants de jouer ou de stationner dans le rayon d'action de l'automatisation.
- Cette automatisation n'est pas destinée à être utilisée par des enfants, des personnes ayant des capacités mentales, physiques et sensorielles réduites ou des personnes ne disposant pas des connaissances nécessaires à moins de disposer, par l'entremise d'une personne responsable de leur sécurité, d'une surveillance ou d'instructions sur l'usage de l'appareil.
- Les enfants doivent être surveillés afin de s'assurer qu'ils ne jouent pas avec l'appareil. Interdire aux enfants de jouer avec les contrôles fixes. Ranger les télécommandes hors de portée des enfants.
- Éviter d'opérer à proximité des charnières ou des organes mécaniques en mouvement.
- Ne pas s'opposer volontairement au mouvement du vantail et ne pas tenter d'ouvrir la porte à la main si le déclencheur n'est pas déverrouillé avec le levier de déverrouillage prévu à cet effet.
- Ne pas entrer dans le rayon d'action du portail/de la porte motorisé/e pendant son mouvement.
- Ranger les radiocommandes ou les autres dispositifs de commande hors de portée des enfants afin d'éviter tout actionnement involontaire.
- L'activation du déverrouillage manuel risque de provoquer des mouvements incontrôlés de la porte en présence de pannes mécaniques ou de conditions de déséquilibre.
- Avec les ouvre-stores: surveiller le store en mouvement et veiller à ce que les personnes restent à l'écart tant qu'il n'est pas complètement fermé. Actionner l'éventuel déverrouillage avec prudence car si un store reste ouvert il peut tomber brutalement s'il est usé ou cassé.
- La rupture ou l'usure des organes mécaniques de la porte (partie guidée), tels que les câbles, les ressorts, les supports et les gonds peuvent générer des risques. Faire contrôler périodiquement l'installation par du personnel qualifié et expérimenté (monteur professionnel), conformément aux indications du monteur ou du fabricant de la porte.
- Mettre hors tension avant d'accomplir les opérations de nettoyage extérieur.
- Veiller à la propreté des lentilles des photocellules et des lampes de signalisation. Veiller à ce que les dispositifs de sécurité ne soient pas gênés par des branches ou des arbustes.
- Ne pas utiliser l'automatisation si elle a besoin d'être réparée. En cas de panne ou de mauvais fonctionnement de l'automatisation, mettre l'automatisation hors tension, éviter toute tentative de réparation ou d'intervention directe et s'adresser uniquement à du personnel qualifié et expérimenté (monteur professionnel) pour la réparation ou les opérations d'entretien nécessaires. Pour permettre l'accès, activer le déverrouillage d'urgence (s'il y en a un).
- Pour toutes les interventions directes sur l'automatisation ou sur l'installation non prévues dans le présent manuel, s'adresser uniquement à du personnel qualifié et expérimenté (monteur professionnel).
- Une fois par an au moins, faire vérifier le bon état et le bon fonctionnement de l'automatisation par du personnel qualifié et expérimenté (monteur professionnel) et en particulier tous les dispositifs de sécurité.
- Les interventions de montage, d'entretien et de réparation doivent être documentées et cette documentation doit être tenue à la disposition de l'utilisateur.
- Le non respect des prescriptions ci-dessus peut être à l'origine de dangers.

Tout ce qui n'est pas expressément prévu dans le manuel de montage est interdit. Le bon fonctionnement de l'appareil n'est garanti que si les données indiquées sont respectées. Le fabricant ne répond pas des dommages provoqués par l'inobservation des indications données dans ce manuel.

En laissant inaltérées les caractéristiques essentielles de l'appareil, l'entreprise se réserve le droit d'apporter à tout moment les modifications qu'elle jugera opportunes pour améliorer le produit du point de vue technique, commercial et de sa construction, sans s'engager à mettre à jour la présente publication.

2) ENTRETIEN

- A chaque signal d'anomalie ou mauvais fonctionnement, s'adresser exclusivement à du personnel qualifié.
- Effectuer une révision périodique de la motorisation tous les 6 mois ou en tous les cas après 1.000.000 de manoeuvres.

3) MANOEUVRE D'URGENCE

3.1) Sans dispositifs de blocage ou batteries de secours (Fig. 1).

Les portes s'ouvrent en poussant manuellement les vantaux dans le sens de coulissement d'ouverture. Si le dispositif à défoncement SASAM 1-2 est installé, il suffit de pousser les vantaux dans la direction de la voie de secours.

3.2) Avec serrure électrique mod. ERV (Fig. 2).

En présence du dispositif serrure électrique mod. ERV, il faut activer la commande de déblocage manuelle. Le levier de commande (Fig. 2 Rif. A) se trouve à proximité de la motorisation. En tirant le levier vers le bas, la serrure électrique se déblocage manuellement et les vantaux peuvent être poussés manuellement dans la direction de coulissement d'ouverture. Pour rétablir la serrure électrique, pousser le levier vers le haut (Fig. 2 Rif. A). Pour installer le déverrouillage manuel ERV suivez scrupuleusement les instructions de montage spécifiques.

ATTENTION! Le monteur s'engage à apprendre à l'utilisateur comment utiliser le déverrouillage pour les manoeuvres d'urgence.

3.3) Avec les dispositifs de vantail à défoncement modèle SASAM1-2 (Fig. 3).

Sur les vantaux à défoncement, il suffit de pousser devant soi les vantaux pour qu'ils s'ouvrent, comme une porte à battant dans le sens de la voie de fuite. Lorsque vous actionnez les vantaux à défoncement, un contact électrique verrouille l'automatisation jusqu'au rétablissement de la position de glissement des vantaux. Pour rétablir le fonctionnement il suffit de ramener le vantail dans sa position normale de glissement. Pour installez le dispositif SASAM suivez scrupuleusement les instructions de montage spécifiques.

DEUTSCH

BEDIENUNGSANLEITUNG

Hinweise sowie die Bedienungsanleitung, die das Produkt begleiten, denn eine falsche Benutzung des Produkts kann zu Verletzungen von Menschen und Tieren sowie zu Sachschäden führen. Bitte bewahren Sie die Anweisungen für die zukünftige Konsultation sowie für eventuelle zukünftige Benutzer der Anlage auf.

Dieses Produkt ist ausschließlich für den Einsatz bestimmt, für den es ausdrücklich installiert worden ist. Alle sonstigen Einsatzweisen gelten als Zweckentfremdung und somit als gefährlich. Der Hersteller kann nicht für eventuelle Schäden haftbar gemacht werden, die auf Zweckentfremdung oder unsachgemäße Verwendung zurückzuführen sind.

1) ALLGEMEINE SICHERHEIT

Wir danken Ihnen dafür, dass Sie diesem Produkt den Vorzug gegeben haben, und sind sicher, dass Sie mit ihm für Ihre Anwendung erforderlichen Leistungen erzielen werden.

Dieses Produkt entspricht den anerkannten Normen der Technik sowie den Sicherheitsbestimmungen, falls es von qualifiziertem Fachpersonal (professioneller Installateur) ordnungsgemäß installiert wird.

Bei ordnungsgemäßer Installation und Benutzung erfüllt die Automatisierung die geforderten Sicherheitsstandards. Dennoch sollten einige Verhaltensregeln beachtet werden, um Zwischenfälle zu vermeiden:

- Halten Sie Kinder, Personen und Sachen aus dem Wirkungsbereich der Automatisierung fern, vor allem während der Bewegung.
- Verhindern Sie, dass sich Kindern im Aktionsradius der Automatisierung aufhalten oder dort spielen.
- Diese Automatisierung ist nicht für die Benutzung durch Kinder, Personen mit eingeschränkten geistigen, körperlichen oder sensorischen Fähigkeiten oder Personen ohne angemessene Kenntnisse vorgesehen, es sei denn, sie werden durch ihren Sicherheitsbeauftragten überwacht oder in die Benutzung der Vorrichtung eingewiesen.
- Kinder müssen überwacht werden, um sicherzustellen, dass sie nicht mit der Vorrichtung spielen. Stellen Sie sicher, dass die Kinder nicht mit den festen Bedienelementen spielen. Halten Sie die Fernbedienungen von Kindern fern.
- Vermeiden Sie Arbeiten in der Nähe der Scharniere oder der beweglichen Bauteile.
- Halten Sie die Bewegung der Tür nicht auf und versuchen Sie nicht, die Tür von Hand zu öffnen, wenn der Trieb nicht mit dem entsprechenden Entsperrehebel entspert worden ist.
- Halten Sie sich während der Bewegung aus dem Aktionsradius der Tür oder des motorisierten Tors fern.
- Halten Sie die Funkfernbedienung oder sonstige Steuerungsvorrichtungen von Kindern fern, um unbeabsichtigte Betätigungen der Automatisierung zu vermeiden.
- Die Aktivierung der manuellen Entsperrung könnte bei mechanischen Defekten oder Ungleichgewichtssituationen zu unkontrollierten Bewegungen der Tür führen.
- Bei Rollladenautomatisierungen: Überwachen Sie den Rollladen während der Bewegung und halten Sie Personen fern, bis er vollständig geschlossen ist. Gehen Sie bei der Betätigung der eventuellen Entsperrung mit Vorsicht vor, da der offene Rollladen bei Brüchen oder Abnutzung herunterfallen könnte.
- Das Brechen oder die Abnutzung der mechanischen Organe der Tür (geführter Teil) wie zum Beispiel Kabel, Federn, Aufhängungen, Führungen usw. könnte zu Gefahren führen. Lassen Sie die Anlage in regelmäßigen Abständen von qualifiziertem Fachpersonal (professioneller Installateur) unter Beachtung der Angaben des Installateurs oder des Herstellers der Tür überprüfen.
- Unterbrechen Sie vor allen externen Reinigungsarbeiten die Stromversorgung.
- Halten Sie die Linsen der Fotozellen und die Anzeigevorrichtungen sauber. Stellen Sie sicher, dass die Sicherheitsvorrichtungen nicht durch Zweige oder Sträucher beeinträchtigt werden.
- Benutzen Sie die Automatisierung nicht, falls sie Reparatureingriffe erforderlich macht. Unterbrechen Sie bei Beschädigungen oder Funktionsstörungen die Stromversorgung der Automatisierung, unternehmen Sie keine Reparaturversuche oder direkte Eingriffe und wenden Sie sich für die erforderliche Reparatur oder Wartung an qualifiziertes Fachpersonal (professioneller Installateur). Aktivieren Sie für den Zugang die Notfallsperre (falls vorhanden).
- Wenden Sie sich für alle im vorliegenden Handbuch nicht vorgesehenen direkten Eingriffe an der Automatisierung oder der Anlage an qualifiziertes Fachpersonal (professioneller Installateur).
- Lassen Sie die Umkehrzeit und den ordnungsgemäßen Betrieb der Automatisierung sowie insbesondere der Sicherheitsvorrichtungen zumindest einmal jährlich von qualifiziertem Fachpersonal (professioneller Installateur) überprüfen.
- Die Installations-, Wartungs- und Reparatureingriffe müssen dokumentiert werden und die Dokumentation muss dem Benutzer zur Verfügung gehalten werden.
- Die Nichtbeachtung dieser Anweisung kann zu Gefahrensituationen führen.

Alles, was im Installationshandbuch nicht ausdrücklich vorgesehen ist, ist untersagt. Der ordnungsgemäße Betrieb des Triebwerks kann nur garantiert werden, wenn alle angegebenen Daten eingehalten werden. Die Firma haftet nicht für Schäden, die auf die Nichtbeachtung der Hinweise im vorliegenden Handbuch zurückzuführen sind.

Unter Beibehaltung der wesentlichen Eigenschaften des Produktes kann die Firma jederzeit und ohne Verpflichtung zur Aktualisierung des vorliegenden Handbuchs Änderungen zur technischen, konstruktiven oder handelstechnischen Verbesserung vornehmen.

2) WARTUNG

- Bei jedem Anzeichen von Abweichungen oder Störungen ausschließlich Fachpersonal verständigen.
- Eine regelmäßige Durchsicht des Antriebs aller 6 Monate oder zumindest nach 1.000.000 Bedienvorgängen durchführen.

3) HANDHABUNG IM NOTFALL

3.1) Ohne Sperre oder Pufferbatterie (Fig. 1).

Zum Öffnen der Türen schiebt man die Gleitflügel von Hand auf. Ist die Paniksicherung SASAM 1-2 installiert, reicht es aus, die Flügel von vorne in Fluchrichtung aufzudrücken.

3.2) Mit Elektroschloß ERV (Fig. 2).

Ist ein Elektroschloß des Modells ERV eingebaut, muß die Entsperrvorrichtung betätigt werden. Der Bedien-

Bft Spa

Via Lago di Vico, 44
36015 Schio (VI)
T +39 0445 69 65 11
F +39 0445 69 65 22
→ www.bft.it

**SPAIN**

BFT GROUP ITALIBERICA DE AUTOMATISMOS S.L.
08401 Granollers - (Barcelona)
www.bftautomatismos.com

FRANCE

AUTOMATISMES BFT FRANCE
69800 Saint Priest
www.bft-france.com

GERMANY

BFT TORANTRIEBSSYSTEME GmbH
90522 Oberasbach
www.bft-torantriebe.de

UNITED KINGDOM

BFT AUTOMATION UK LTD
Stockport, Cheshire, SK7 5DA
www.bft.co.uk

IRELAND

BFT AUTOMATION LTD
Dublin 12

BENELUX

BFT BENELUX SA
1400 Nivelles
www.bftbenelux.be

POLAND

BFT POLSKA SP. Z O.O.
05-091 ZĄBKI
www.bft.pl

CROATIA

BFT ADRIA D.O.O.
51218 Drazice (Rijeka)
www.bft.hr

PORTUGAL

BFT SA-COMERCIO DE AUTOMATISMOS E MATERIAL DE SEGURANCIA
3020-305 Coimbra
www.bftportugal.com

CZECH REPUBLIC

BFT CZ S.R.O.
Praha
www.bft.it

TURKEY

BFT OTOMATIK KAPI SISTEMELERI SANAY VE
Istanbul
www.bftotomasyon.com.tr

RUSSIA

BFT RUSSIA
111020 Moscow
www.bftorus.ru

AUSTRALIA

BFT AUTOMATION AUSTRALIA PTY LTD
Wetherill Park (Sydney)
www.bftaustralia.com.au

U.S.A.

BFT USA
Boca Raton
www.bft-usa.com

CHINA

BFT CHINA
Shanghai 200072
www.bft-china.cn

UAE

BFT Middle East FZCO
Dubai