

# TX3 TX4 TX4/U

## remote control

Canada: IC	Usa:
Eu: CE 0682	FC

Installation instructions and warnings  
Istruzioni ed avvertenze per l'installazione  
Instructions et avertissements pour l'installation  
Anweisungen und Hinweise für die Installation  
Instrucciones y advertencias para la instalación  
Installatievoorschriften en waarschuwingen

mhouse  
4

IST218.4851 REV.00 del 22-12-2005

### CB Technical Characteristics

TX3 -TX4 -TX4/U are produced by NICE S.p.a. (TV) I, MHOUSE S.r.l. is an affiliate of the Nice S.p.a. group. Nice S.p.a., in order to improve its products, reserves the right to modify their technical characteristics at any time without prior notice. In any case, the manufacturer guarantees their functionality and fitness for the intended purposes. Note: all the technical characteristics refer to a temperature of 20°C.

**Type:** Radio transmitters for control of automatic gates and doors

**Technology adopted:** AM OOK coded modulation of radio carrier

**Frequency:** 433.92 Mhz

**Coding:** Rolling code with 64 Bit code (18 billion billion combinations)

**Buttons:** TX3 3 - TX4 4 - TX4/U 4, each button sends a command and can be used for the different commands of the same control unit or to command different control units.

**Irradiated power:** Approx. 0.0001W

**Power supply:** 6V +20% -40% with two CR2016-type Lithium batteries

**Battery life:** 3 years, estimated on the basis of basis of 10 commands/day, each lasting 1s at 20°C (at low temperatures the efficiency of the batteries decreases)

**Ambient operating temperature:** -20 ÷ 55°C

**Use in acid, saline or potentially explosive atmosphere:** No

**Protection class:** IP40 (suitable for use indoors or in protected environments)

**Dimensions / weight:** 720 x 31 h 11mm / 18g

### Caratteristiche Tecniche

TX3 -TX4 -TX4/U sono prodotti da NICE S.p.a. (TV) I, MHOUSE S.r.l. è una società del gruppo NICE S.p.a.

Allo scopo di migliorare i prodotti, NICE S.p.a. si riserva il diritto di modificare le caratteristiche tecniche in qualsiasi momento e senza preavviso, garantendo comunque funzionalità e destinazione d'uso previste.

Nota: tutte le caratteristiche tecniche sono riferite alla temperatura di 20°C.

**Tipologia:** Trasmettitori radio per il controllo di automatismi per cancelli, portoni automatici, tende e tapparelle

**Tecnologia adottata:** Modulazione codificata AM OOK di portante radio

**Frequenza:** 433.92 Mhz

**Codifica:** Rolling code con codice a 64 Bit (18 miliardi di miliardi di combinazioni)

**Tasti:** TX3 3 - TX4 4 - TX4/U 4, ogni tasto invia un comando e può essere utilizzato per i diversi comandi della stessa centrale oppure per comandare diverse centrali.

**Potenza irradiata:** 0,0001W circa

**Alimentazione:** 6V +20% -40% con 2 batterie al Litio tipo CR2016

**Durata delle batterie:** 3 anni, stimata su una base di 10 comandi/giorno della durata di 1s a 20°C (alle basse temperature l'efficienza delle batterie diminuisce)

**Temperatura ambientale di funzionamento:** -20 ÷ 55°C

**Utilizzo in atmosfera acida, salina o potenzialmente esplosiva:** No

**Grado di protezione:** IP40 (utilizzo in casa o ambienti protetti)

**Dimensioni / peso:** 720 x 31 h 11mm / 18g

### F Caractéristiques techniques

TX3 -TX4 -TX4/U est produit par NICE S.p.a. (TV) I, MHOUSE S.r.l. est une société du groupe NICE S.p.a.

Dans le but d'améliorer les produits, NICE S.p.a. se réserve le droit d'en modifier à tout moment et sans préavis les caractéristiques techniques, en garantissant dans tous les cas le bon fonctionnement et le type d'utilisation prévus.

N.B.: toutes les caractéristiques techniques se réfèrent à la température de 20°C.

**Typologie:** Émetteurs radio pour télécommande d'automatismes pour portails et portes automatiques

**Tecnologia adoptée:** Modulation codée AM OOK de portante radio

**Fréquence:** 433,92 Mhz

**Codage:** Rolling code avec code à 64 Bits (18 milliards de milliards de combinaisons)

**Touches:** TX3 3 - TX4 4 - TX4/U 4, chaque touche peut être utilisée pour les différentes commandes de la même logique ou pour commander différentes logiques.

**Puissance irradiée:** 0,0001W environ

**Alimentation:** 6V +20% -40% avec 2 piles au lithium type CR2016

**Durée des piles:** 3 ans, estimée sur la base de 10 commandes/jour d'une durée d'1 s à 20°C (à basse température l'efficacité des piles diminue)

**Température ambiante de fonctionnement:** -20 ÷ 55°C

**Utilisation en atmosphère acide, saline ou potentiellement explosive:** Non

**Indice de protection:** IP40 (utilisation à l'intérieur de la maison ou dans des milieux protégés)

**Dimensions / poids:** 720 x 31 h 11 mm / 18 g

### D Technische Merkmale

TX3 -TX4 -TX4/U ist von NICE S.p.a. (TV) I hergestellt, MHOUSE S.r.l. ist eine Gesellschaft der NICE S.p.a. Gruppe. Für eine Verbesserung der Produkte behält sich NICE S.p.a. das Recht vor, die technischen Merkmale jederzeit und ohne vorherige Benachrichtigung zu ändern, wobei aber vorgesehene Funktionalitäten und Einsätze garantiert bleiben.

Bitte bemerken: alle technischen Merkmale beziehen sich auf eine Temperatur von 20°C.

**Typik:** Funksender für Automatismen von automatischen Türen und Toren

**Angewendete Technologie:** AM OOK codierte Funkträgermodulation

**Frequenz:** 433,92 Mhz

**Codierung:** Rolling Code mit 64 Bit Code (18 Milliarden Kombinationen)

**Tasten:** TX3 3 - TX4 4 - TX4/U 4, jede Taste sendet einen Steuerbefehl und kann für verschiedene Befehle derselben Steuerung oder zum Steuern verschiedener Steuerungen benutzt werden.

**Ausgestrahlte Leistung:** ca. 0,0001W

**Versorgung:** 6V +20% -40% mit 2 Lithiumbatterien CR2016

**Dauer der Batterien:** 3 Jahre, geschätzt auf 10 Befehlen/Tag mit einer Dauer von 1s bei 20°C (bei niedrigen Temperaturen verkürzt sich die Dauer der Batterien)

**Umgebungs- und Betriebstemperatur:** -20 ÷ 55°C

**Benutzung in saure- und salzhaltiger oder explosionsgefährdeter Atmosphäre:** Nein

**Schutzart:** IP40 (Benutzung im Haus oder geschützter Umgebung)

**Abmessungen / Gewicht:** 720 x 31 h 11mm / 18g

### E Características técnicas

TX3 -TX4 -TX4/U es un producto de NICE S.p.a. (TV) I, MHOUSE S.r.l. es una sociedad del grupo NICE S.p.a.

A fin de mejorar sus productos, NICE S.p.a. se reserva el derecho de modificar las características técnicas en cualquier momento y sin previo aviso, garantizando siempre la funcionalidad y el uso previstos.

Nota: todas las características técnicas se refieren a una temperatura de 20°C.

**Typo:** Transmisores radio para el control de automatizaciones para cancelas y portones automáticos.

**Tecnología adoptada:** Modulacion codificada AM OOK de portadora radio

**Frecuencia:** 433.92 Mhz

**Codificación:** Rolling code con código de 64 Bits (18 mil billones de combinaciones)

**Botones:** TX3 3 - TX4 4 - TX4/U 4, cada botón envía un mando y puede utilizarse para los diferentes mandos en la misma central o para accionar diferentes centrales.

**Potencia irradiada:** 0,0001W aprox.

**Alimentación:** 6V +20% -40% con 2 baterías de Litio tipo CR2016

**Duración de las baterías:** 3 años, estimada sobre una base de 10 mandos/día de duración 1s a 20°C (a temperaturas bajas la eficiencia de las baterías disminuye)

**Temperatura ambiente de funcionamiento:** -20 ÷ 55°C

**Empleo en atmósfera ácida, salobre o con riesgo de explosión:** No

**Grado de protección:** IP40 (empleo en vivienda o entornos protegidos)

**Dimensiones / peso:** 720 x 31 h 11mm / 18g

### NL Technische kenmerken

TX3 -TX4 -TX4/U is een artikel van NICE S.p.a. (TV) I, MHOUSE S.r.l. is een vennootschap behorende tot de groep NICE S.p.a. Ter verbetering van haar artikelen behoudt NICE S.p.a. zich het recht voor op ieder moment en zonder voorbericht wijzigingen aan te brengen aan de technische kenmerken zonder afbreuk te doen aan de goede werking en gebruiksbestemming daarvan. Opmerking: alle technische kenmerken hebben betrekking op een temperatuur van 20°C.

**Type:** Radiozenders voor automatisering voor hekken en automatische deuren

**Gebruikte technologie:** Gecodeerde modulatie AM OOK van radiodragers

**Frequentie:** 433.92 Mhz

**Codering:** Rolling code met 64 Bit code (18 miljard miljard combinaties)

**Toetsen:** TX3 3 - TX4 4 - TX4/U 4, elke toets zendt een Opdracht en kan gebruikt worden voor verschillende opdrachten van dezelfde besturingseenheid of om verschillende besturingseenheden te besturen.

**Uitstralingsvermogen:** ongeveer 0,0001W

**Voeding:** 6V +20% -40% met 2 Lithiumbatterijen type CR2016

**Duur batterijen:** 3 jaar, geschat op basis van 10 opdrachten/dag van een duur van 1s bij 20°C (de batterijwerking vermindert bij lage temperaturen)

**Bedrijfsomgevings-temperatuur:** -20 ÷ 55°C

**Gebruik in zure, zoute of potentieel explosieve atmosfeer:** Neen

**Beschermingsgraad:** IP40 (gebruik in huis of in beschermde omgevingen)

**Afmetingen / gewicht:** 720 x 31 h 11mm / 18g

## Warnings

- Before installation, check that the product is suitable for use, paying particular attention to the information in the "Technical Data" chapter.
- MHOUSE disclaims responsibility for any damage resulting from the improper use of the product, the only use authorized by the manufacturer being the one described in this manual.
- The packing materials must be disposed of in compliance with local regulations.
- The transmitter must be kept away from any sources of excessive heat, as well as flames. Any of the above may damage the motor and cause it to malfunction or create dangerous situations.
- **Warning:** even if the batteries are used up, they may still contain pollutants and therefore must not be thrown away with the ordinary rubbish. Dispose of them properly, complying with the methods prescribed for batteries by local regulations.
- Special warnings concerning this product's suitability for use as envisaged by Directive "R&TTE" 1999/5/CE.
- This product meets the essential requirements of article 3 of Directive "R&TTE" as regards its use and the intended purpose stated in this instruction manual; any use that does not conform to this purpose is prohibited.
- The range of radio frequencies available for use is subject to national legislation.
- Models: EU version (including Switzerland): TX3, TX4  
USA and Canada version TX4/U
- If the country in which the product is going to be used is not among those specified above, it is the installer's responsibility to check that the frequency on which the product works is available for use.

## Product description and intended use

The TX3 and TX4 transmitters (fig.1) allow the user to remote control the corresponding radio receivers, or alternatively the control units for gates or motors for awnings, sun screens or rolling shutters. They are only suitable for use in MHOUSE automation systems.

The TX3 is designed specifically for operating motors for awnings and rolling shutters; it features 3 buttons which can be used for the 3 types of command of a single automation system, or to control up to 3 different automation systems or receivers.

The TX4 is intended specifically for gates; it features 4 buttons that can be used to enter 4 types of command for a single automation system, or to control up to 4 different automation systems or receivers. Transmission of the command is confirmed by the LED [A] shown in Fig.1; an eyelet [B] Fig.1 allows it to be hung on a key ring.

The TX3 transmitter is equipped with a fitting support, which allows the unit to be wall-mounted if desired. When fastening the support, if the surface is smooth and solid, the adhesive provided may be used; if not, the screw supplied for this purpose can be used (with the wall plug if necessary), see Fig.2.

## Transmitter memorization modes

To enable the transmitter to command a control unit, a radio receiver or a motor for awnings and rolling shutters, a memorization procedure must be carried out.

Two methods can be followed to memorize the new transmitter:

- **Mode 1:** in this "mode", all the radio transmitter buttons are used and each button performs the command configured in the control unit or receiver used (see table 1); in "mode 1" the radio transmitter can be used to command only one automation.

**Table 1: Transmitter operation in Mode 1**

Transmitter		Command		
Tx3	Tx4	Control unit for gates	Radio receiver	Motor for awnings and rolling shutters
Button ▲	Button T1	"OPEN" command	Activation of output N.1	Raise
Button ■	Button T2	"Open partially" command	Activation of output N.2	Stop
Button ▼	Button T3	"Open only" command	Activation of output N.3	Raise
	Button T4	"Close only" command	Activation of output N.4	Stop

- **Mode 2:** in this "mode", each transmitter button can be associated to any command available on the control units or radio receiver outputs (see table 2).

**Table 2: Transmitter operation in Mode 2**

	Centrale per cancelli	Radio receiver	Motor for awnings and rolling shutters
Command N.1	"OPEN"	Activation of output N.1	Raise
Command N.2	"Open partially"	Activation of output N.2	Stop
Command N.3	"Open only"	Activation of output N.3	Lower
Command N.4	"Close only"	Activation of output N.4	Stop

This mode, if used properly, enables the control of 2 or more different automations or receivers with one transmitter; each transmitter is, of course, a separate unit, and while some are memorized in "mode 1" others can be memorized in "mode 2" on the control unit.

## Memorization of the Transmitter

**Warning:** The memorization procedures depend on which control unit or receiver is associated, this chapter outlines the routine procedures; for more unusual procedures, see the handbook. All Mhouse instruction manuals are also available from: [www.mhouse.com](http://www.mhouse.com).

Since the memorization procedures are timed (max. 10 seconds for each stage), you need to read the instructions in the tables before you proceed to carry them out.

## Memorization of the Transmitter in "Mode 1"

### On control units and receivers for gates

**Table 3**

1. Press Button **P1 [H]** in Fig.3 for at least 3s; when the **P1 LED [I]** shown in Fig.3 goes off, release the button.
2. Within 10s, press any button on the radio transmitter to be memorized for at least 2s. If the memorization procedure is successful, the **P1 LED** will flash 3 times.
3. If there are other remote controls to be memorized, repeat step 2 within the next 10s, otherwise the memorization stage will terminate automatically.

### On control units and receivers for awnings and rolling shutters

If you do not already have an operative transmitter (the old Tx) you will not be able to use this procedure. To memorise the new Tx, follow the procedures outlined in the product's instruction manual.

**Table 4**

1. Hold down button **■** on the new transmitter to be stored (New TX) until you hear a beep (after approx. 5 seconds) then release the key
  2. Slowly press button **■** three times on a transmitter that has already been stored in the memory (Old TX)
  3. Press and release button **■** on the new transmitter
- The 3 final beeps indicate that the new transmitter has been stored correctly in the memory. If the memory is full (30 transmitters), the automation will emit 6 beeps to signal that the transmitter cannot be stored.

## Memorization of the transmitter in "Mode 2" on

### On control units and receivers for gates

**Table 5**

1. Press **button P1** as many times as the number corresponding to the desired command, according to the table 2 (e.g. 3 times for the "Open only" command).
2. Make sure that the **P1 LED** flashes as many times as the number corresponding to the selected command.
3. Within 10, press any button on the radio transmitter to be memorized for at least 2s. If the memorization procedure is successful, the **P1 LED** will flash 3 times.
4. If there are other remote controls to be memorized for the same type of command, repeat step 3 within the next 10, otherwise the memorization stage will terminate automatically.

### On control units and receivers for awnings and rolling shutters

If you do not already have an operative transmitter (the old Tx) you will not be able to use this procedure. To memorise the new Tx, follow the procedures outlined in the product's instruction manual.

**Table 6**

1. Hold down the required key on the new transmitter (New TX) until you hear a beep (after approx. 5 seconds) then release the key
2. Within 5 seconds press and hold down a key that has already been stored on a transmitter (old TX) until hearing 2 short beeps (after approx. 5 seconds) then release the key
3. Within 3 seconds press the same key on the already stored transmitter (old TX) for a number of times equivalent to the required command:  
1 = Step-by-Step; 2 = Open; 3 = Close; 4 = Stop Old TX Key 1-4
4. After approximately 3 seconds you will hear a number of beeps equivalent to the chosen command
5. Within 2 seconds press the required key on the new transmitter (new TX) again to confirm the programming.

The 3 final beeps signal that the new transmitter has been stored correctly. If the memory is full (30 transmitters), the automation will emit 6 beeps to signal that the transmitter cannot be stored.

## Remote Memorization

It is possible to memorize a new transmitter without directly operating the buttons on the control unit or radio receiver, provided you have an "**OLD**" pre-memorized operational transmitter. The **NEW** transmitter to be memorized will inherit the characteristics of the **OLD** one, i.e. if the **OLD** transmitter was memorized in "mode 1", the **NEW** one will also be memorized in "mode 1". In this case, during the memorization stage you can press any key on the two transmitters. If, on the other hand, the **OLD** transmitter was memorized in "mode 2", you must press the button on the **OLD** transmitter which corresponds to the desired command, and the button on the **NEW** transmitter to which you wish to **associate that command**.

Holding the two transmitters, position yourself near the control unit or receiver and perform the following operations:

1. Press the button on the **NEW** transmitter and hold it down for at least 5s, then release it.
2. Press the button on the **OLD** transmitter 3 times slowly.
3. Press the button on the **NEW** transmitter once slowly.

At this point the **NEW** transmitter will be recognized by the control unit or receiver and will assume the characteristics of the **OLD** one. If there are other transmitters to be memorized, repeat all the steps above for each new transmitter.

## Testing the Transmitter

To test the operation of the transmitter, just press any button, make sure that the red LED flashes and that the automation performs the desired command.

The command associated to each button depends on the memorization "mode".

## Replacing the Transmitter Batteries

When the range of the transmitter is significantly diminished and the light emitted by the LED is feeble, the battery is probably exhausted. The transmitter houses two CR2016 type lithium batteries.

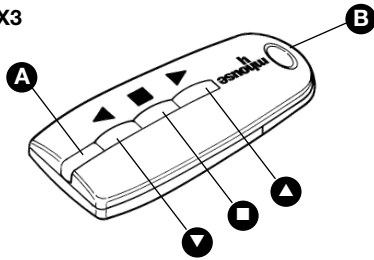
To replace them proceed as follows:

1. Open the bottom by pulling it (Fig.4)
2. Insert a small pointed tool in the slit (Fig.5) and push out the batteries
3. Insert the new batteries, observing the polarity (the "+" symbol towards the top).
4. Close the bottom until it clicks.

**Warning:** The product runs on batteries which may contain pollutants and therefore must not be thrown away with the ordinary rubbish. After removing the batteries (Fig.2) dispose of them properly, complying with the methods prescribed for batteries by local regulations.



TX3



TX4

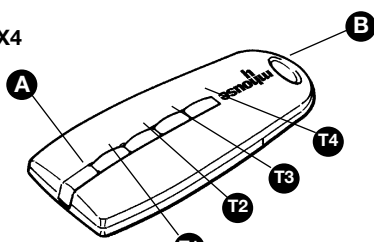


Fig. 1

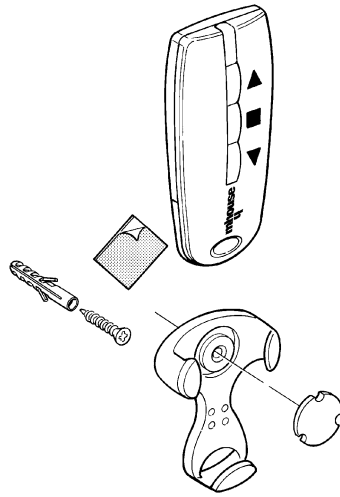


Fig. 2

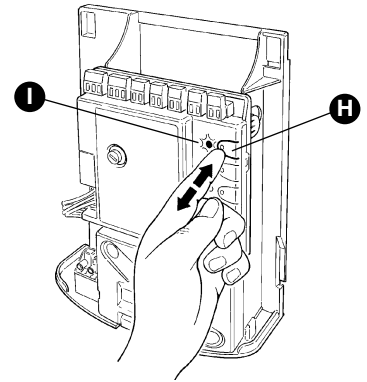


Fig. 3

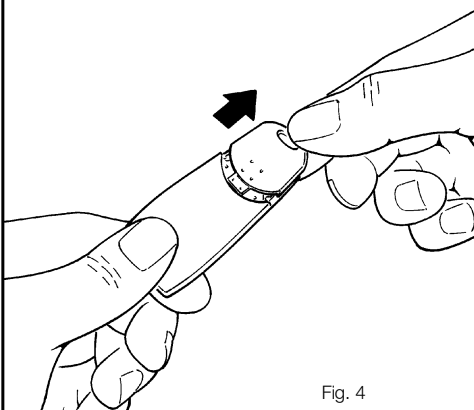


Fig. 4

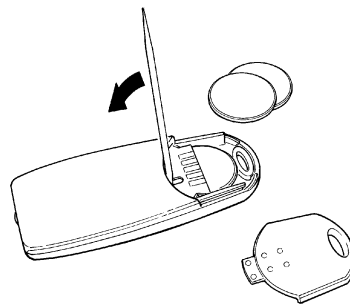
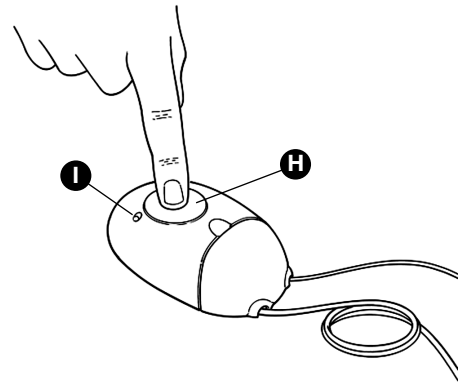


Fig. 5

**CE Declaration of Conformity**

Note: The contents of this declaration of conformity correspond to the latest revision available - at the time of the manual's publication - of the official document filed at the Nice S.p.a. head office. For editorial reasons, the original text has been rewritten in this manual.

Nice S.p.a. - via Pezza Alta, 13, Z.I. Rustigné, 31046 Oderzo (TV) Italia, declares that the products TX3 and TX4 meet the essential requirements of Directive R&TTE 1999/5/CE, for the intended purposes of the product. These products are defined as class 1.

**IMPORTANT: For the product TX4/U (code for USA: FCCID - TP5433TX4; code for Canada: IC: 6156A-433TX4 ), to read the following declaration.**

This device complies with Part 15 of the FCC Rules and with RSS-210 of Industry Canada. Operation is subject to the following two conditions: (1) this device may not cause harmful interference, and (2) this device must accept any interference received, including interference that may cause undesired operation.

Any changes or modifications made to this device without the express permission of the manufacturer may void the user's authority to operate this device.

**I Dichiarazione di conformità**

Note: il contenuto di questa dichiarazione di conformità corrisponde all'ultima revisione disponibile, prima della stampa del presente manuale, del documento ufficiale depositato presso la sede di Nice S.p.a. In questo manuale, il testo originale è stato riadattato per motivi editoriali.

Nice S.p.a. - via Pezza Alta, 13, Z.I. Rustigné, 31046 Oderzo (TV) Italia, dichiara che tutti i prodotti TX3 e TX4 sono conformi ai requisiti essenziali richiesti dalla direttiva R&TTE 1999/5/CE, per l'uso cui gli apparecchi sono destinati. I prodotti sono in classe 1.

**F Déclaration de conformité**

Note: le contenu de cette déclaration de conformité correspond à la dernière révision disponible - avant l'impression de la présente notice technique - du document officiel déposé au siège de Nice S.p.a.. Dans cette notice, le texte original a été réélabore pour des motifs éditoriaux.

Nice S.p.a. - via Pezza Alta, 13, Z.I. Rustigné, 31046 Oderzo (TV) Italia, déclare sur tous les produits TX3 et TX4 sont conformes aux exigences essentielles requises par la directive R&TTE 1999/5/CE pour l'usage auquel les appareils sont destinés. Les produits sont en classe 1.

**IMPORTANT: le produit TX4/U (code: FCCID - TP5433TX4 pour les États-Unis; code: IC:6156A-433TX4 pour le Canada) doit être accompagné de la déclaration suivante.**

This device complies with Part 15 of the FCC Rules and with RSS-210 of Industry Canada. Operation is subject to the following two conditions: (1) this device may not cause harmful interference, and (2) this device must accept any interference received, including interference that may cause undesired operation.

Any changes or modifications made to this device without the express permission of the manufacturer may void the user's authority to operate this device.

**D Konformitätserklärung**

Anmerkung: Der Inhalt dieser Konformitätserklärung entspricht der letzten Revision, die vor dem Druck dieser Anleitung in den am Sitz der Nice S.p.a. hinterlegten offiziellen Unterlagen verfügbar ist. In dieser Anleitung wurde der Originaltext aus Verlagsgründen angepasst.

Nice S.p.a. - via Pezza Alta, 13, Z.I. Rustigné, 31046 Oderzo (TV) Italien, erklärt, dass alle Produkte TX3 und TX4 mit den wichtigsten Anforderungen der Richtlinie R&TTE 1999/5/CE konform sind, was den Einsatz betrifft, für den die Geräte bestimmt sind. Die Produkte gehören zu Klasse 1.

**E Declaración de conformidad**

Nota: el contenido de esta declaración corresponde a aquel de la última revisión disponible - antes de la impresión de este manual - del documento oficial depositado en la sede de Nice S.p.a. En este manual el texto original ha sido readaptado por motivos de impresión.

Nice S.p.a. - via Pezza Alta, 13, Z.I. Rustigné, 31046 Oderzo (TV) Italia, declara que todos los productos TX3 y TX4 respetan los requisitos esenciales de la Directiva 1999/5/CE "Equipos Radioeléctricos y Equipos Terminales de Telecomunicación" para el uso al que están destinados los equipos. Los productos son fabricados en Clase 1.

**IMPORTANTE: para los productos TX4/U (código para EEUU: FCCID - TP5433TX4; código para Canadá: IC: 6156A-433TX4), léase la siguiente declaración.**

This device complies with Part 15 of the FCC Rules and with RSS-210 of Industry Canada. Operation is subject to the following two conditions: (1) this device may not cause harmful interference, and (2) this device must accept any interference received, including interference that may cause undesired operation.

Any changes or modifications made to this device without the express permission of the manufacturer may void the user's authority to operate this device.

**NL Verklaring van overeenstemming**

N.B.: de inhoud van deze verklaring van overeenstemming komt overeen met de laatste beschikbare herziening, voor het persé gaan van deze handleiding-, van het officiële document dat bij het kantoor van Nice S.p.a. is neergelegd. In deze handleiding is de originele tekst om publicatietechnische redenen aangepast

Nice S.p.a. - via Pezza Alta, 13, Z.I. Rustigné, 31046 Oderzo (TV) Italia, verklaart dat alle producten TX3 en TX4 in overeenstemming zijn met de essentiële vereisten van de Richtlijn R&TTE 1999/5/EG, voor het gebruik waarvoor de apparaten zijn bestemd. De producten behoren tot klasse 1.