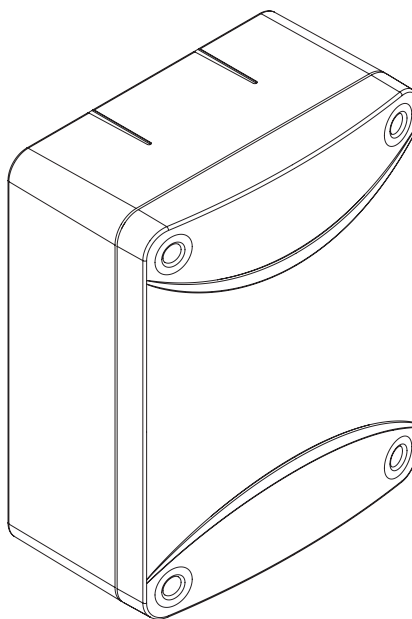


L8542857
Rev. 03/05/00

BENINCA®

CENTRALE DI COMANDO
CONTROL UNIT
STEUEREINHEIT
CENTRALE DE COMMANDE
CENTRAL DE MANDO
CENTRALKA STEROWANIA

SIMPLE



Libro istruzioni
Operating instructions
Betriebsanleitung
Livret d'instructions
Manual de instrucciones
Książeczka z instrukcjami



UNIONE NAZIONALE COSTRUTTORI
AUTOMATISMI PER CANCELLI, PORTE,
SERRANDE ED AFFINI

Dichiarazione CE di conformità
EC declaration of conformity
EG-Konformitätserklärung

Déclaration CE de conformité
Declaracion CE de conformidad
Deklaracja UE o zgodności

Con la presente dichiariamo che il nostro prodotto
We hereby declare that our product
Hiermit erklaren wir, dass unser Produkt
Nous déclarons par la présente que notre produit
Por la presente declaramos que nuestro producto
Niniejszym oświadczamy że nasz produkt

SIMPLE

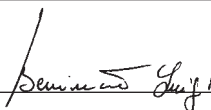
è conforme alle seguenti disposizioni pertinenti:
complies with the following relevant provisions:
folgenden einschlagigen Bestimmungen entspricht:
correspond aux dispositions pertinentes suivantes:
satisface las disposiciones pertinentes siguientes:
zgodny jest z poniżej wyszczególnionymi rozporządzeniami:

Direttiva sulla compatibilità elettromagnetica (89/336/
CCE, 93/68/CEE)
EMC guidelines (89/336/EEC, 93/68/EEC)
EMV-Richtlinie (89/336/EWG, 93/68/EWG)
Directive EMV (89/336/CCE, 93/68/CEE) (Compatibilité
électromagnétique)
Reglamento de compatibilidad electromagnética (89/336/
MCE, 93/68/MCE)
Wytyczna odnośnie zdolności współdziałania elektromagne-
tycznego (89/336/EWG, 93/68/EWG)

Norme armonizzate applicate in particolare:
Applied harmonized standards, in particular:
Angewendete harmonisierte Normen, insbesondere:
Normes harmonisées utilisées, notamment:
Normas armonizadas utilizadas particularmente:
Normy standard najczęściej stosowane:

EN 55022, EN 61000-3-2, EN 61000-3-3, EN 50082-1

Data/Firma

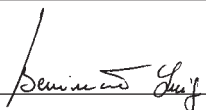


Direttiva sulla bassa tensione (73/23/CEE, 93/68/CEE)
Low voltage guidelines (73/23/EEC, 93/68/EEC)
Tiefe Spannung Richtlinie (73/23/EWG, 93/68/EWG)
Directive bas voltage (73/23/CEE, 93/68/CEE)
Reglamento de bajo Voltaje (73/23/MCE, 93/68/MCE)
Wytyczna odnośnie niskiego napięcia (73/23/EWG, 93/
68/EWG)

Norme armonizzate applicate in particolare:
Applied harmonized standards, in particular:
Angewendete harmonisierte Normen, insbesondere:
Normes harmonisées utilisées, notamment:
Normas armonizadas utilizadas particularmente:
Normy standard najczęściej stosowane:

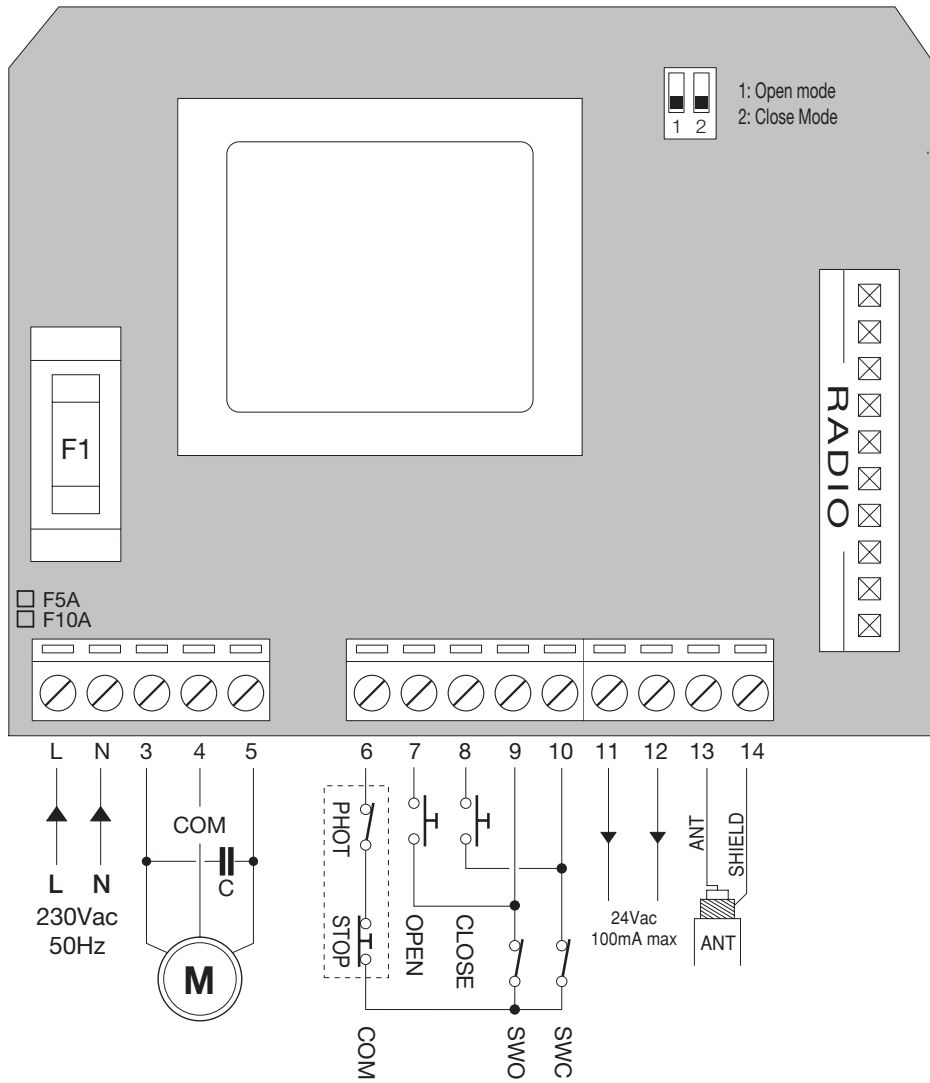
EN 60204-1, EN 60335-1

Data/Firma



BENINCA®

Automatismi Benincà Srl
Via Capitello, 45
36066 Sandrigo (VI)
ITALIA



SIMPLE Control Unit

The **SIMPLE** control unit can be used to control 1 motor with power not exceeding 750W.

GENERAL WARNINGS

- a) The wire connections and the operating logic should be in compliance with regulations in force.
- b) The cables featuring different voltage should be physically separated, or adequately insulated by an additional insulation of at least 1 mm.
- c) The cables should be further fastened in proximity to the terminals.
- d) Check all connections before powering the unit.
- e) Check that setting of the Dip-Switches are the required ones.
- f) Normally Closed inputs which are not in use should be short-circuited.

INPUT/OUTPUT FUNCTIONS

Terminal No.	Function	Description
1-2	Power supply	Input, 230Vac 50Hz (1-Phase/2-Neutral)
3-4-5	Motor	Connection to motor : (3-move/4-Com/5-move)
6	COM	Common, Limit switch.
7-9	OPEN	Input, OPEN push button (N.O. contact)
8-10	CLOSE	Input, CLOSE push button (N.O. contact)
9-6	SWO	Input, OPENING limit switch (N.C. contact)
10-6	SWC	Input, CLOSING limit switch (N.C. contact)
11-12	24 Vac	Output, power supply of accessories, 24Vac/100 A max.
13-14	Aerial	Connection of aerial, insertable radio receiver card (13-signal/14-screen).
J3	Radio receiver	Insertable connector for two-channel radio receiver (in option)

Dip-Switch functions

- DIP 1** **“Open Mode”** The operating mode of the “OPEN Push button” is selected.
 Off: “Service man” operation. The OPEN push button should be kept pressed for the entire operation.
 On: “Semi-Automatic” operation. **Only when opening limit switches are provided.**
 The operation starts when the OPEN push button is pressed, it continues when the button is released and ends when the opening limit switch is triggered.
- DIP 2** **“Close Mode”** - the operating mode of the “CLOSE Push button” is selected.
 Off: “Service man” operation. The CLOSE push button should be kept pressed for the entire operation.
 On: “Semi-Automatic” operation. **Only when closing limit switches are provided.**
 The operation starts when the CLOSE push button is pressed, it continues when the button is released and ends when the closing limit switch is triggered.

Note:

- Should an insertable two-channel radio receiver be used, **leave both dip-switches to ON and connect the opening/closing limit switches.** Channel 1 of the transmitter performs the function of OPEN push button, and channel 2 the function of CLOSE push button.
- Connect the N.C. contact of any possible safety device or STOP push button in series to terminal 6 (COM) as shown in the diagram.

BENINCA®

AUTOMATISMI BENINCÀ Srl - Via Capitello, 45 - 36066 Sandrigo (VI) - Tel. 0444 751030 r.a. - Fax 0444 759728
