

RXX 2295 RADIO RECEIVER RS 485



Radio Receiver available in various work frequencies, used with the receiver BeSafe RX New.

IMPORTANT FOR THE INSTALLER

- The device must be powered by a low voltage source security that complies with EN61558-2-6.
- All operations, which require the opening of the case (installation, programming and repair, etc.), must be carried out by experienced staff.
- The fixing of power cables and connection cables must be guaranteed by assembling cable glands supplied optional.
- Secure the plastic cover of the device to a wall inserting the mounting screws in the provided spaces.

IMPORTANT FOR THE USER

- The device can be used by children over the age of 8 years or people with limited psychological or physical abilities or with little knowledge and experience only when supervised or trained on the operation and how to use safely to understand the dangers involved in its use.
- These instructions are available on the website www.seav.com
- Do not allow children to play with the device and keep the radio controls out of their reach.
- Frequently examine the plant to detect any signs of damage. Do not use the device if you need a repair.
- Always remember to turn off the power before cleaning or maintenance works.
- The cleaning and maintenance works shall not be made by children without being supervised.

ATTENTION: keep this instruction manual and respect the important safety instructions contained inside. The non-compliance with the prescriptions may cause damages and serious accidents

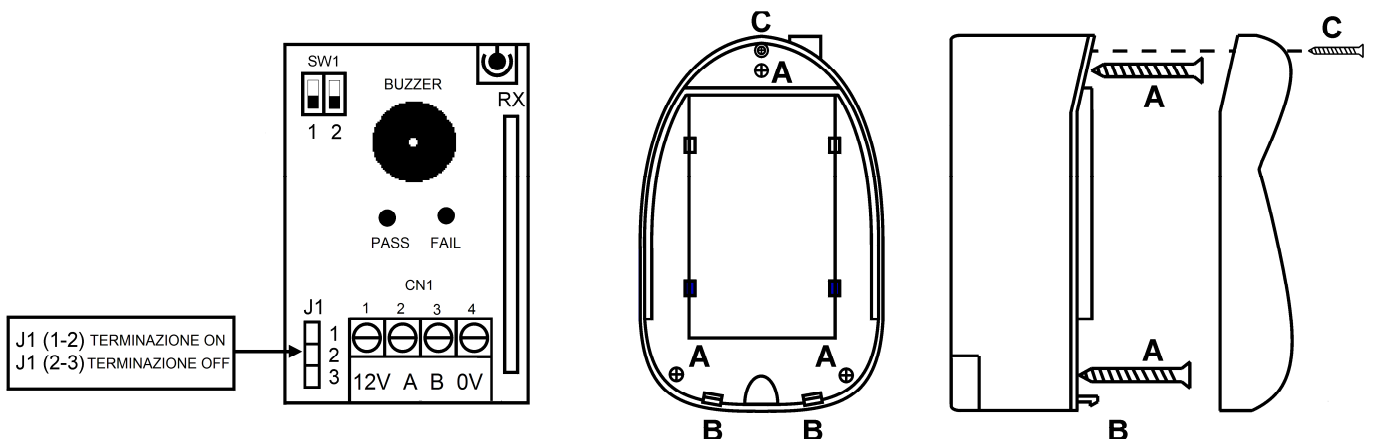
Radio Receiver RXS 2295 – RES 2295 – RXH 2295

Comply with the requirements of the rules R&TTE 99//EC, EMC 2004/108/EC, LVD 2006/95/EC.

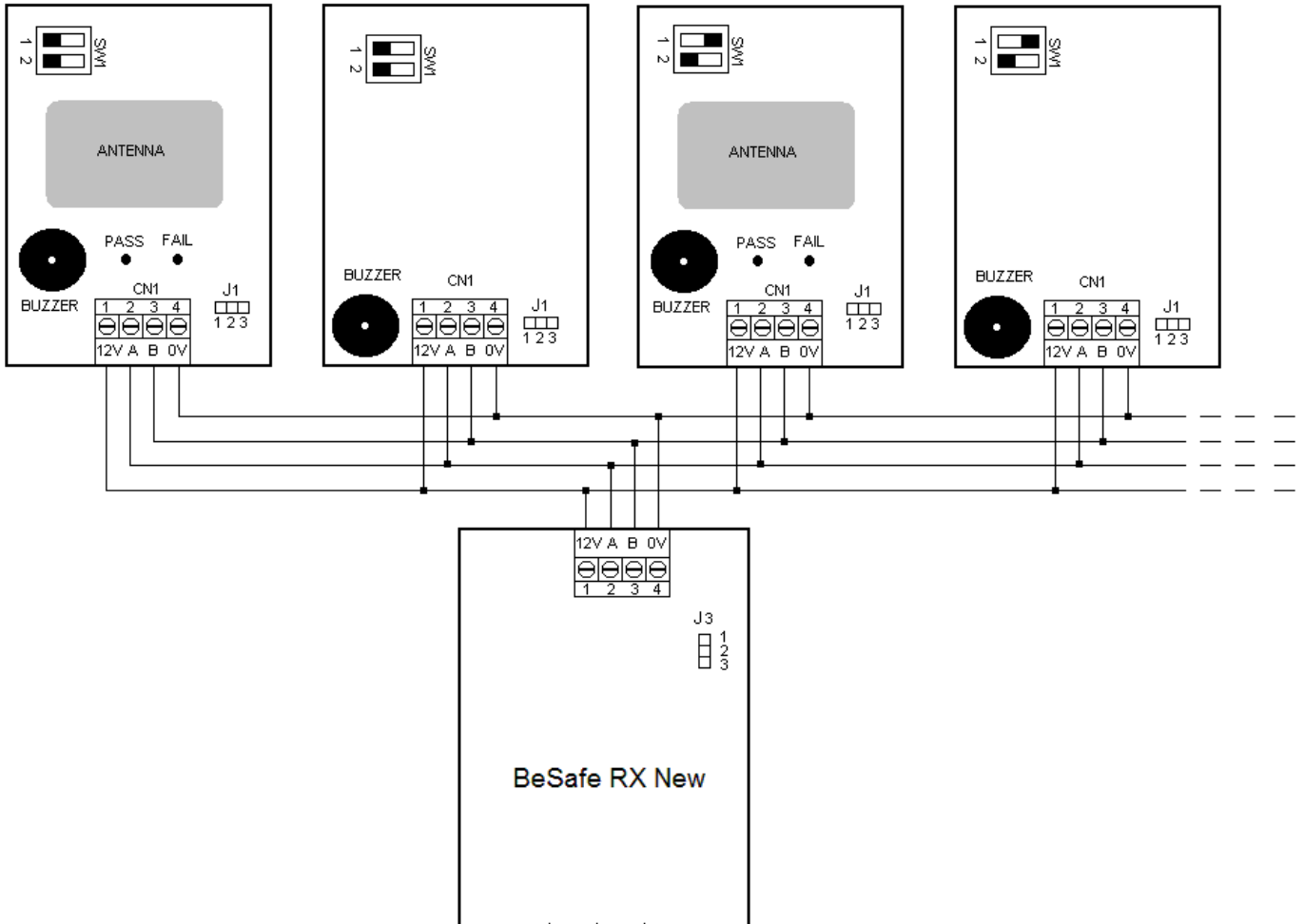


TECHNICAL CHARACTERISTICS

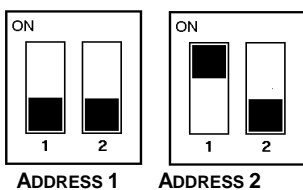
- Supply: 12Vdc
- Max consumption: 20 mA
- Cable length: 100 mt. Max.
- Work Frequency : **RXS 2295** 433,92 MHz
- Work Frequency : **RES 2295** " Narrow band " 433,92 MHz
- Work Frequency : **RXH 2295** " Narrow band " 868,30 MHz
- Transmitters op. : 12-18-32 Bit o Rolling Code
- Range in free space : 50-100mt.
- Working temperature: -10°C ÷ +55°C
- Dimensions: 53x82x40mm



CONNECTING BUS TO THE RECEIVER BESAFE RX NEW

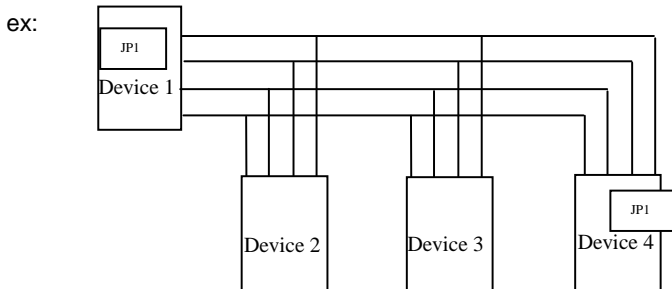


It is possible to connect to every single BeSafe RX New receiver up to 2 Radio Receivers RXX2295. By dip switch SW1 in advance you must assign to each Radio Receiver RXX2295 its own address:



The communication is via standard RS485. It is possible to make connections with cable lengths up to 100 m. In case of communication problems it is recommended to move the jumper J1 to 1-2 (insertion of the terminating resistor) on devices located at the ends of the links:

J1 pos. 1-2 = inserted termination resistance.
 J1 pos. 2-3 = not inserted terminating resistor (default).



In the example above the jumpers should be placed on devices n. 1 and n. 4, irrespective of the type of device.

MODE OF OPERATION OF RADIO RECEIVER RXX2295

The Radio Receiver RXX2295 has two signal Led s green " PASS " and red" FAIL " and a Buzzer for the various modes of operation. By radiocommand you can just send the code you want and the Radio Receiver RXX2295 will emit a loud signal sound and at the same time the green Led will turn on if the Radiocommand was already stored into the Receiver BeSafe RX New, otherwise the red Led will turn on.