

# PROXIMITY READER BESAFE NFC READER



Proximity reader NFC for SMARTPHONE, used with the receiver BeSafe RX New and the interface INT 2206 NEW.

## IMPORTANT FOR THE INSTALLER

- The device must be powered by a low voltage source security that complies with EN61558-2-6.
- All operations, which require the opening of the case (installation, programming and repair, etc.), must be carried out by experienced staff.
- The fixing of power cables and connection cables must be guaranteed by assembling cable glands supplied optional.
- Secure the plastic cover of the device to a wall inserting the mounting screws in the provided spaces.

## IMPORTANT FOR THE USER

- The device can be used by children over the age of 8 years or people with limited psychological or physical abilities or with little knowledge and experience only when supervised or trained on the operation and how to use safely to understand the dangers involved in its use.
- These instructions are available on the website [www.seav.com](http://www.seav.com)
- Do not allow children to play with the device and keep the radio controls out of their reach.
- Frequently examine the plant to detect any signs of damage. Do not use the device if you need a repair.
- Always remember to turn off the power before cleaning or maintenance works.
- The cleaning and maintenance works shall not be made by children without being supervised.

**ATTENTION:** keep this instruction manual and respect the important safety instructions contained inside. The non-compliance with the prescriptions may cause damages and serious accidents.

The product:

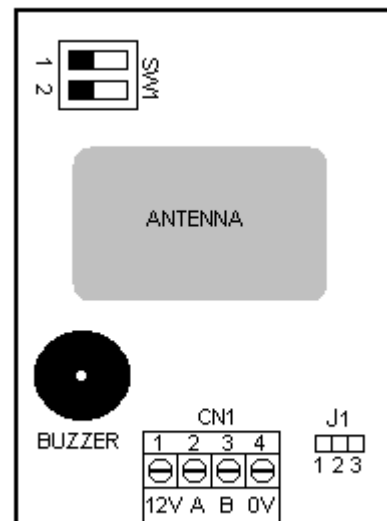
**Proximity Reader BeSafe NFC Reader**

Complies with the requirements of the rules EMC 2004/108/EC, LVD 2006/95/EC.

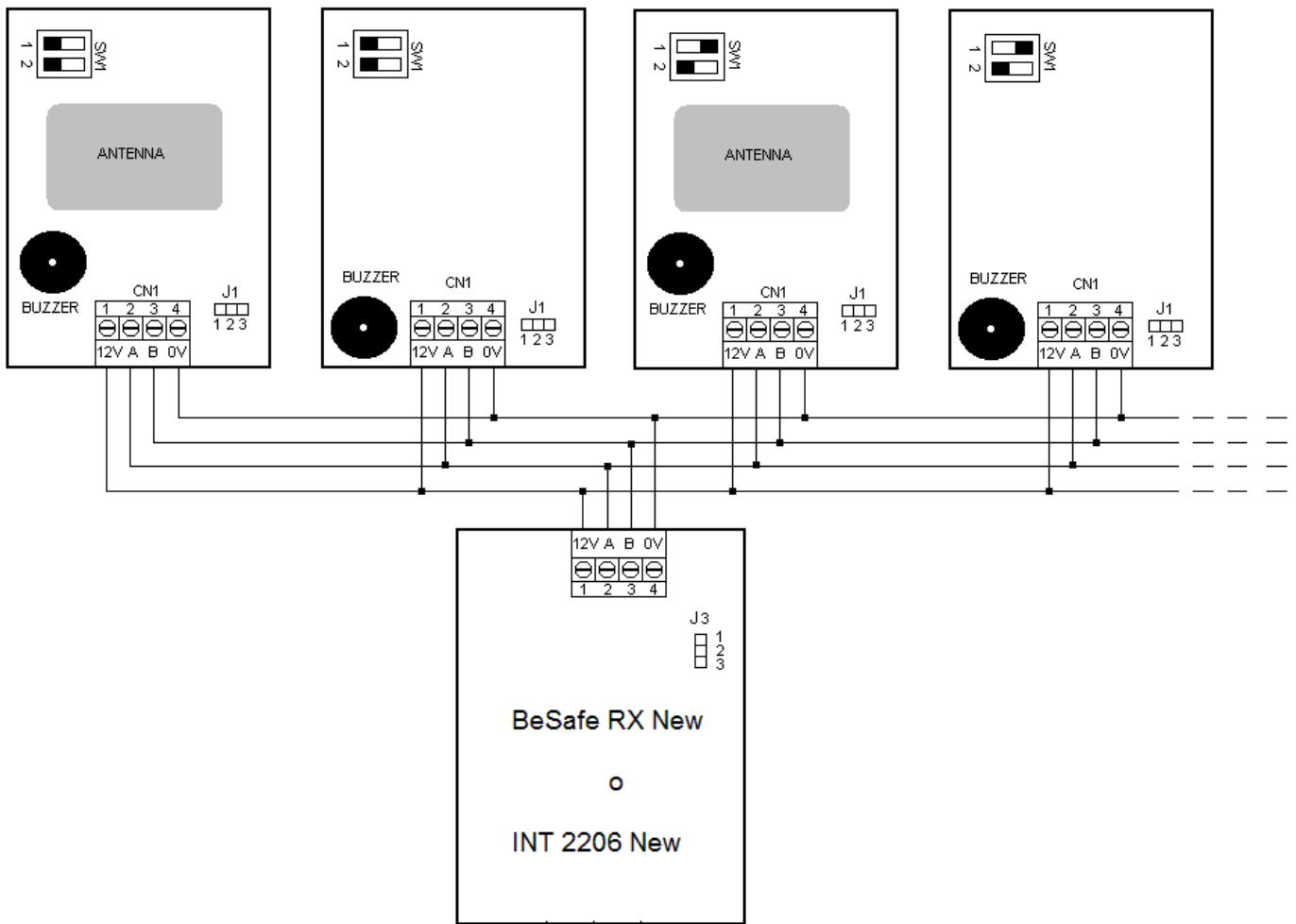


## TECHNICAL CHARACTERISTICS

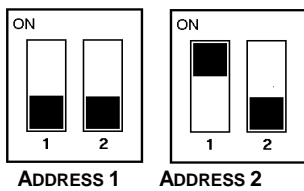
- |                         |                |
|-------------------------|----------------|
| - Supply:               | 12Vdc          |
| - Max consumption:      | 20 mA          |
| - Cable length:         | 100 mt. Max.   |
| - Reading Range:        | 0 ÷ 1 cm. Max. |
| - Working temperature:  | -10°C ÷ +55°C  |
| - Dimensions:           | 80x54x38mm     |
| - Cover:                | PC (UL94V-0)   |
| - Degree of protection: | IP55           |



## CONNECTING BUS TO THE RECEIVER BESAFE RX NEW OR TO THE INTERFACE INT 2206 NEW

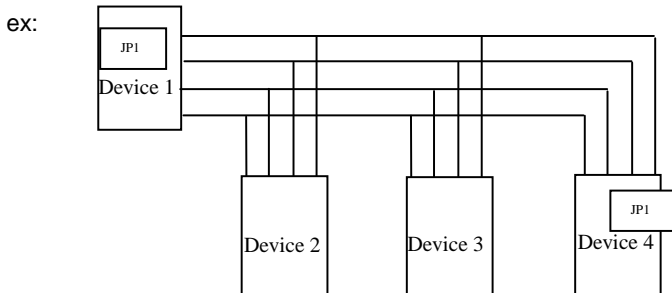


It is possible to connect to every single BeSafe RX New receiver or Interface INT 2206 NEW up to 2 BeSafe Reader NFC devices. By dip switch SW1 in advance you must assign to each BeSafe Reader NFC its own address:



The communication is via standard RS485. It is possible to make connections with cable lengths up to 100 m. In case of communication problems it is recommended to move the jumper J1 to 1-2 (insertion of the terminating resistor) on devices located at the ends of the links:

J1 pos. 1-2 = inserted termination resistance.  
 J1 pos. 2-3 = not inserted terminating resistor (default).



In the example above the jumpers should be placed on devices n. 1 and n. 4, irrespective of the type of device.

#### **MODE OF OPERATION PROXIMITY READER**

The proximity reader has a Buzzer for the signal for the different modes of operation. Just bring your SMARTPHONE to enabled NFC and related Application, the reader will emit 2 short “ Beep “ signal if the device was already stored into Receiver BeSafe RX New or Interface INT 2206 New, otherwise the reader will emit a long “ Beep “ signal.