

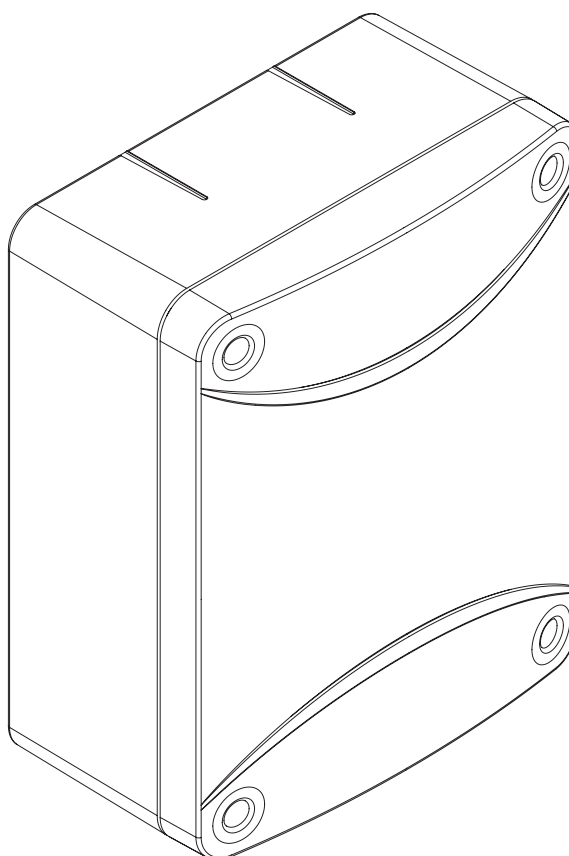
L8542226
Rev. 04/09/04

BENINCA®

RADIORICEVITORE QUADRICANALE PROGRAMMABILE
PROGRAMMABLE, FOUR-CHANNEL RADIO RECEIVER
PROGRAMMIERBARER 4-KANAL-FUNKEMPFÄNGER
RÉCEPTEUR RADIO QUADRICANAL PROGRAMMABLE
TRANSCÉPTOR CUATRICANAL PROGRAMABLE
RADIOODBIORNIK CZTEROKANAŁOWY PROGRAMOWALNY

RR.4WBV *rolling-code*

ADVANTAGE
system



Libro istruzioni
Operating instructions
Betriebsanleitung
Livret d'instructions
Manuale de instrucciones
Książeczka z instrukcjami



UNIONE NAZIONALE COSTRUTTORI
AUTOMATISMI PER CANCELLI, PORTE,
SERRANDE ED AFFINI

Dichiarazione CE di conformità
EC declaration of conformity
EG-Konformitätserklärung

Déclaration CE de conformité
Declaracion CE de conformidad
Deklaracja UE o zgodności

Con la presente dichiariamo che il nostro prodotto
We hereby declare that our product
Hiermit erklaren wir, dass unser Produkt
Nous déclarons par la présente que notre produit
Por la presente declaramos que nuestro producto
Niniejszym oświadczamy że nasz produkt

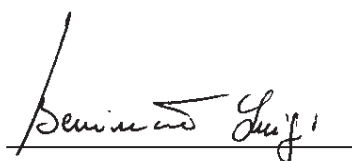
RR.4WBV

è conforme alle seguenti disposizioni pertinenti:
complies with the following relevant provisions:
folgenden einschlagigen Bestimmungen entspricht:
correspond aux dispositions pertinentes suivantes:
satisface las disposiciones pertinentes siguientes:
zgodny jest z ponizej wyszczególnionymi rozporządzeniami:

Direttiva sulla compatibilità elettromagnetica
(89/336/CCE, 93/68/CEE)
EMC guidelines (89/336/EEC, 93/68/EEC)
EMV-Richtlinie (89/336/EWG, 93/68/EWG)
Directive EMV (89/336/CCE, 93/68/CEE)
(Compatibilité électromagnétique)
Reglamento de compatibilidad electromagnética
(89/336/MCE, 93/68/MCE)
Wytyczna odnośnie zdolności współdziałania
elektromagne-tycznego (89/336/EWG, 93/68/EWG)

Direttiva sulla bassa tensione (73/23/CEE, 93/68/CEE)
Low voltage guidelines (73/23/EEC, 93/68/EEC)
Tiefe Spannung Richtlinie (73/23/EWG, 93/68/EWG)
Directive bas voltage (73/23/CEE, 93/68/CEE)
Reglamento de bajo Voltaje (73/23/MCE, 93/68/MCE)
Wytyczna odnośnie niskiego napięcia (73/23/EWG,
93/68/EWG)

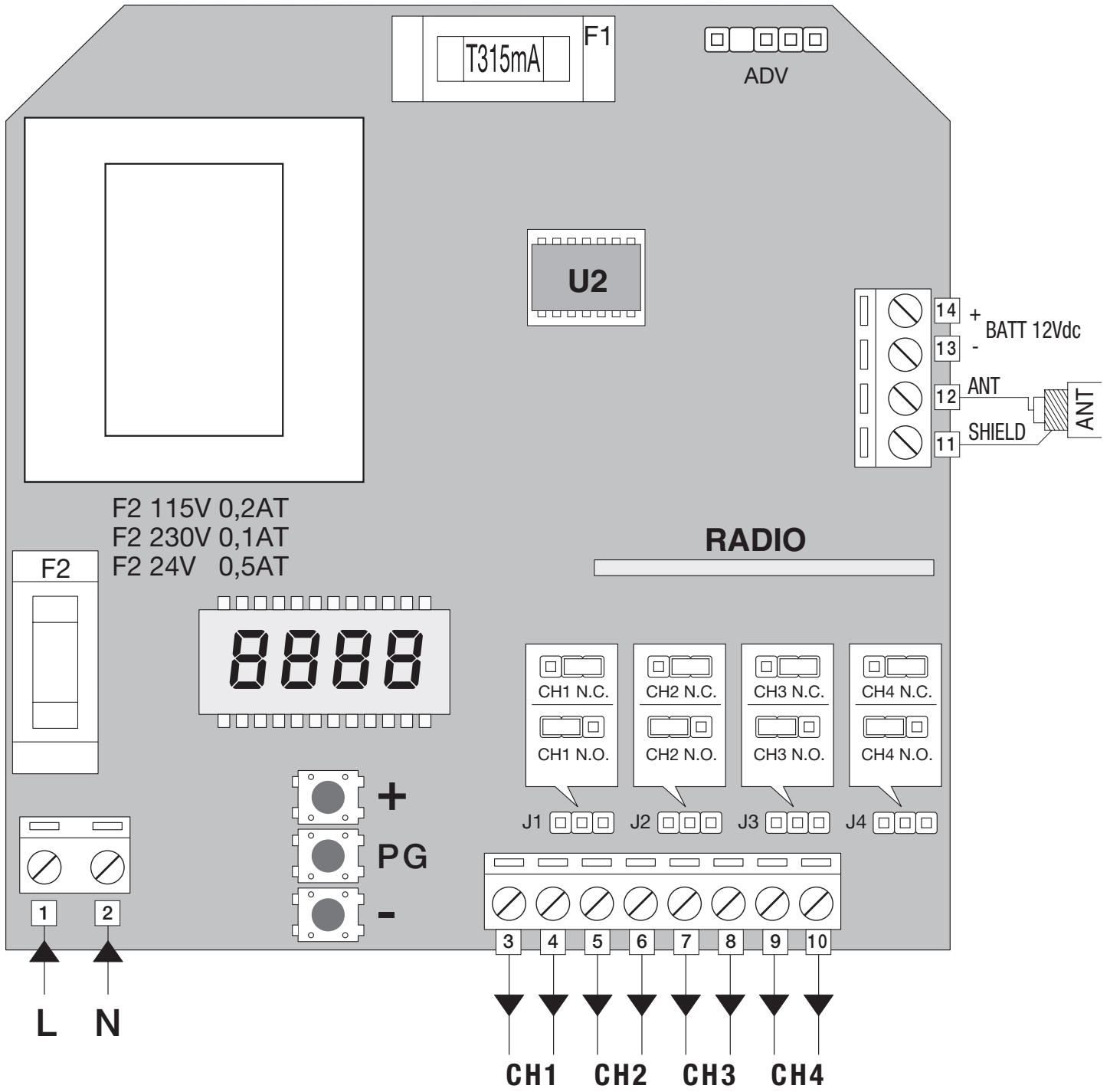
Direttiva apparecchiature radio 1999/5/CEE
Radio and Telecommunications Terminal Equipment
(R&TTE) 1995/5/EEC
Richtlinie 1999/5/EWG betr. Funkanlagen und
Telekommunikationsendeinrichtungen
Directive 1999/5/CE concernant les équipements hertziens
et les équipements terminaux de tél écommunications et la
reconnaissance mutuelle de leur conformité
Directiva 1999/5/CE Equipos Radioeléctricos y Equipos
Terminales de Telecomunicación
Dyrektywa 1999/5/WE w sprawie urządzeń radiowych i
końcowych urządzeń telekomunikacyjnych oraz wzajem-
nego uznawania ich zgodności



Benincà Luigi, Responsabile legale.
Sandrigo, 01/10/2006.

BENINCA®

Automatismi Benincà SpA
Via Capitello, 45
36066 Sandrigo (VI)
ITALIA



RR.4WBV Programmable, Four-channel Radio Receiver SPECIFICATIONS

- Four output, independent and freely configurable channels
- Rolling code radio receiver - 433.92MHz frequency
- Programming through built-in LCD display
- Programming through ADVANTAGE programmer and corresponding software for PC Windows (optional).
- Standard memory for 512 transmitters. It can be replaced with MEM2048 module for 2048 transmitters
- Versions with 230VAC, 115VAC or 24VAC/CC power supply are available.
- Input for 12VDC emergency battery, with automatic charge.

INPUT/OUTPUT FUNCTIONS		
Input, No.	Function	Description
1-2	Power supply	Input, 230Vac 50Hz (1-Phase/2-Neutral) in the 230V version Input, 115Vac 60Hz (1-Phase/2-Neutral) in the 115V version Input, 24 Vac/dc (1+ /2 -) in the 24V version
3-4	Channel 1	Output, channel 1. 230 Vac max 5A. Normally Open (N.O.) Contact, switchable in Normally Closed (N.C.) through jumper 1.
5-6	Channel 2	Output, channel 2. 230 Vac max 5A. N.O. Contact, switchable in N.C. through jumper 2.
7-8	Channel 3	Output, channel 3. 230 Vac max 5A. N.O. Contact switchable in N.C. through jumper 3.
9-10	Channel 4	Output, channel 4. 230 Vac max 5A. N.O. Contact, switchable in N.C. through jumper 4.
11-12	Antenna	Antenna connection of the built-in radio module (11-screen/12-signal).
13-14	Battery	Input for emergency battery, 12Vdc (13:- / 14:+). It allows the operation of the receiver in case of power failure of the mains, During the mains operation the battery is recharged. Recharge time, about 15 hours for a battery 12V/1,2Ah.
ADV	Connector, ADVANTAGE	Input for ADVANTAGE PRX connector. The receiver memory can be managed through the ADVANTAGE software and the relevant programmer. For further information, please refer to ADVANTAGE instructions

Note:

The U2 memory can contain 512 rolling-code, 433.92MHz, transmitters maximum. If necessary, it can be replaced with item MEM2048 which can contain up to 2048 different codes.

PROGRAMMING

The programming of the various functions of the control unit is carried out by using the LCD display in the receiver and presetting the desired values in the programming menus described hereunder.

- 1 - Press the <PG> key, the display shows the first Parameters Menu "PAR".
- 2 - By using the keys <+> or <->, select the desired Menu (PAR>>LOG>>RADIO>>....).
- 3 - Press the <PG> key, the display shows the first function available on the Menu.
- 4 - By using the keys <+> or <->, select the function to be modified.
- 5 - Press the <PG> key, the currently preset value for the selected function is displayed.
- 6 - By using the <+> or <-> keys, select the value to be assigned to the function.
- 7 - Press the <PG> key, "PRG" is displayed which means the programming has been successful.

Note:

You can return to the upper menu without making changes if you press the <+> and <-> keys simultaneously in a Function Menu.

Press PG to select the desired value. OK is shown to confirm a successful programming.
 After 60 sec wait, the receiver exits the programming mode and the display switches off.
 Each single function, which is available in the control unit, is described in the following tables.

PARAMETERS	
MENU	FUNCTION
<i>rch1</i>	The operating mode of channel 1 is preset. The descriptions of the single submenus are shown hereunder:
	<i>inp</i> Monostable. The relay activates for 1 sec when the corresponding key is pressed; then the relay returns to its original status.
	<i>EG</i> Bistable. When the associated key in the transmitter is pressed, the relay activates. It remains in its new status until the key is pressed again.
	<i>t INE</i> Timed. The switching time of the relay can be set between 1 second and 10 minutes. By using the <+> and <-> keys, select the desired time. The presettable values are: from 1 to 10s with 1s steps from 30s to 300s with 30s steps from 300s to 600s with 60s steps.
<i>rch2</i>	Same operating modes preset for MCH1.
<i>rch3</i>	Same operating modes preset for MCH1.
<i>rch4</i>	Same operating modes preset for MCH1.

LOGICHE	
MENU	FUNCTION
<i>SAFE</i>	With this function enabled, channel 1 switches only if the corresponding key is pressed for longer than 3 seconds. This function is useful specially to control alarm installations or in cases when accidental activation is to be averted. The default function is preset on OFF.

RADIO	
MENU	FUNCTION
<i>Add</i>	Menu to type in the transmitter codes in memory. The message FULL means that the receiver memory is complete. The submenus are described hereunder:
	<i>ch1</i> The key is associated to channel 1. Press, within 5 sec, the transmitter key which is to be associated to channel 1. Synchronism control is activated (see Synchronism paragraph).
	<i>ch2</i> The key is associated to channel 2. Press, within 5 sec, the transmitter key which is to be associated to channel 2. Synchronism control is activated (see Synchronism paragraph).
	<i>ch3</i> The key is associated to channel 3. Press, within 5 sec, the transmitter key which is to be associated to channel 3. Synchronism control is activated (see Synchronism paragraph).
	<i>ch4</i> The key is associated to channel 4. Press, within 5 sec, the transmitter key which is to be associated to channel 4. Synchronism control is activated (see Synchronism paragraph).

<i>Add</i>	<i>5 Inc</i>	The four keys of a four channel transmitter are automatically associated, each one to the corresponding channel. (Key1:ch1, key2:ch2, key3:ch2 and key4:ch4). Press, within 5 seconds, any key of a four channel transmitter. Synchronism control is activated (see Synchronism paragraph).
	<i>F IH</i>	The four keys of a four channel transmitter are automatically associated, each one to the corresponding channel. (Key1:ch1, key2:ch2, key3:ch2 and key4:ch4). Press, within 5 seconds, any key of a four channel transmitter. Synchronism control is not activated (see Synchronism paragraph).
	<i>SEr</i>	Serialised remote controls are typed in. Packages of factory serialised remote controls, i.e. transmitters with consecutive codes. First of all press any key on the transmitter with lower serial code, then any key on the transmitter with higher serial code. All transmitter codes which are within these two codes will be automatically stored in memory. Associations are automatically carried out (key1:ch1, key2:ch2, etc) Synchronism control is activated (see Synchronism paragraph).
<i>dEL</i>	Menu to erase previously typed in transmitter codes from memory. The single submenus are described hereunder:	
	<i>codE</i>	The receiver is in a waiting mode, waiting for a memorized transmitter key to be pressed. The transmitter is erased from the receiver memory.
	<i>indh</i>	Remove a control unit code for which the position in memory is know, see function Find>Code
<i>rES</i>	The receiver memory is completely erased. All transmitter codes and relevant associations and channel parameters are cancelled. A confirmation of the operation is being asked.	
<i>F Ind</i>	Search Menu for transmitter codes stored in memory. The single submenus are described hereunder:	
	<i>codE</i>	La ricevente si pone in attesa di un codice, premere un pulsante del trasmettitore, se presente visualizza la posizione in memoria.
	<i>n tH</i>	The number of transmitter codes stored in the receiver memory is displayed.

SYNCHRONISM

According to the typing in mode, the synchronism control may be activated or deactivated.

Transmitters with activated synchronism control

This is the default mode which allows synchronism between transmitter and receiver, thus ensuring the safety offered by the rolling-code system.

Transmitters with deactivated synchronism control

In this mode, the synchronism function is disabled and the transmitter code can be copied. Hence, by using the Advantage system, a virtually infinite number of transmitter codes identical to the original can be created.

Programmierbarer 4-Kanal-Funkempfänger RR.4WBV

TECHNISCHE EIGENSCHAFTEN

- Vier unabhängige und frei konfigurierbare Ausgangskanäle
- Funkempfänger Rolling Code mit Frequenz 433,92MHz
- Programmierung über das eingebaute LCD-Display
- Programmierung mittels der Programmierereinheit ADVANTAGE und der Software für PC Windows (Option).
- Standardspeicher für 512 Sendegeräte, austauschbar mit Modul MEM2048 für 2048 Sendegeräte
- Drei unterschiedliche Versionen zu 230Vac, 115Vac oder 24Vac/dc erhältlich.
- Eingang für Reservebatterien zu 12Vdc mit automatischer Aufladefunktion.

FUNKTIONEN EINGÄNGE/AUSGÄNGE		
Eingang Nr.	Funktion	Beschreibung
1-2	Speisung	Eingang 230Vac 50Hz (1-Phase/2-Nulleiter) in der Version 230V Eingang 115Vac 60Hz (1-Phase/2-Nulleiter) in der Version 115V Eingang 24 Vac/dc (1+ /2-) in der Version 24V
3-4	Kanal 1	Ausgang Kanal 1. 230 Vac max. 5A Kontakt N.O., umschaltbar auf N.C. über die Verschiebung des Jumpers 1.
5-6	Kanal 2	Ausgang Kanal 2. 230 Vac max. 5A Kontakt N.O., umschaltbar auf N.C. über die Verschiebung des Jumpers 2.
7-8	Kanal 3	Ausgang Kanal 3. 230 Vac max. 5A Kontakt N.O., umschaltbar auf N.C. über die Verschiebung des Jumpers 3.
9-10	Kanal 4	Ausgang Kanal 4. 230 Vac max. 5A Kontakt N.O., umschaltbar auf N.C. über die Verschiebung des Jumpers 4.
11-12	Antenne	Anschluss Antenne des eingebauten Funkmoduls (11-Schirm/12-Signal).
13-14	Batterie	Eingang für Reservebatterien zu 12Vdc (13:- / 14:+). Ermöglicht den Betrieb des Empfängers bei Stromausfall. Während der Netzstromversorgung erfolgt das Aufladen der Batterie. Aufladezeit ca. 15 Stunden bei einer Batterie 12V/1,2Ah.
ADV	ADVANTAGE Verbinder	Eingang für Verbinder ADVANTAGE PRX. Ermöglicht es den Speicher des Empfängers über die Software ADVANTAGE und über die entsprechende Programmierereinheit zu verwalten. Weitere Informationen sind den Anweisungen ADVANTAGE zu entnehmen.

Bemerkung:

Der Speicherplatz U2 ist für maximal 512 Sendegeräte Rolling Code 433,92MHz ausreichend. Falls erforderlich kann er mit Artikel MEM2048 ersetzt werden, der eine Kapazität von 2048 unterschiedlichen Codes besitzt.

PROGRAMMIERUNG

Die Programmierung der verschiedenen Funktionen der Einheit erfolgt über das LCD Display an Bord des Empfängers indem die gewünschten Werte im Programmierungsmenü, wie nachstehend beschrieben eingerichtet werden.

- 1 – Die Taste <PG> drücken, das Display zeigt das erste Menü der Parameter „PAR“ an.
- 2 – Über die Tasten <+> oder <-> das gewünschte Menü wählen (PAR>>LOG>>RADIO>>....).
- 3 – Die Taste <PG> drücken, das Display zeigt die erste Funktion des Menüs an.
- 4 – Über die Tasten <+> oder <-> die gewünschte Funktion wählen.
- 5 – Die Taste <PG> drücken, das Display zeigt den aktuellen Wert der gewählten Funktion an.
- 6 - Über die Tasten <+> oder <-> den Wert wählen der der Funktion zugeteilt werden soll.
- 7 – Die Taste <PG> drücken, das Display meldet „PRG“, was die erfolgte Programmierung bestätigt.

Bemerkungen:

Durch gleichzeitiges Drücken der Tasten <+> und <-> im Inneren des Menüs ‚Funktion‘, kann man das vorhergehende Menü abrufen ohne Änderungen vorzunehmen.

Taste PG drücken, um den gewünschten Wert einzurichten; nach erfolgter Programmierung wird die Meldung OK zur