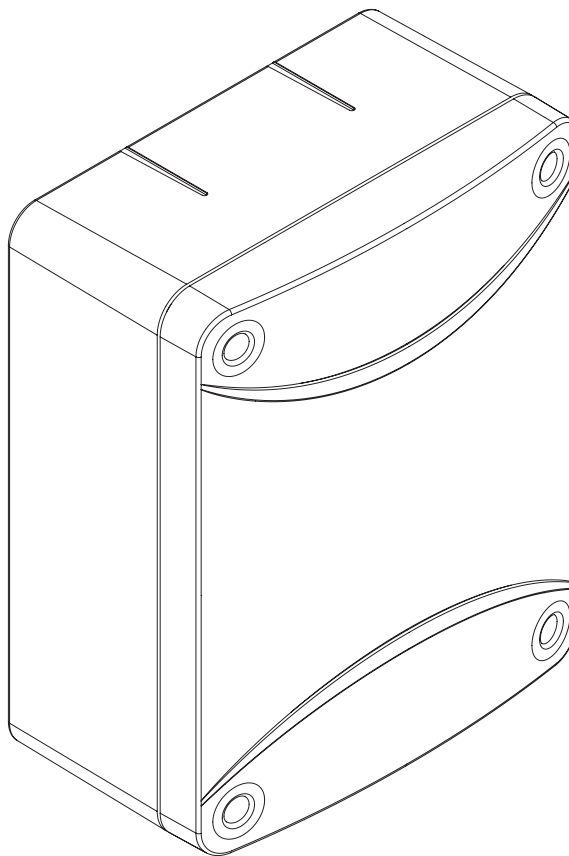


L8542227  
Rev. 11/09/03

# BENINCA®

RADIORICEVITORE QUADRICANALE PROGRAMMABILE  
PROGRAMMABLE, FOUR-CHANNEL RADIO RECEIVER  
*PROGRAMMIERBARER 4-KANAL-FUNKEMPFÄNGER*  
*RÉCEPTEUR RADIO QUADRICANAL PROGRAMMABLE*  
TRANSCPTOR CUATRICANAL PROGRAMABLE  
RADIOODBIORNIK CZTEROKANAŁOWY PROGRAMOWALNY

## **RR.4WBP** *programmable/dip-switches*



Libro istruzioni  
**Operating instructions**  
*Betriebsanleitung*  
**Livret d'instructions**  
Manuale de instrucciones  
**Książeczka z instrukcjami**



UNIONE NAZIONALE COSTRUTTORI  
AUTOMATISMI PER CANCELLI, PORTE,  
SERRANDE ED AFFINI

**Dichiarazione CE di conformità**  
**EC declaration of conformity**  
**EG-Konformitätserklärung**

**Déclaration CE de conformité**  
**Declaracion CE de conformidad**  
**Deklaracja UE o zgodności**

Con la presente dichiariamo che il nostro prodotto  
We hereby declare that our product  
Hiermit erklaren wir, dass unser Produkt  
Nous déclarons par la présente que notre produit  
Por la presente declaramos que nuestro producto  
Niniejszym oświadczamy że nasz produkt

---

**RR.4WBP**

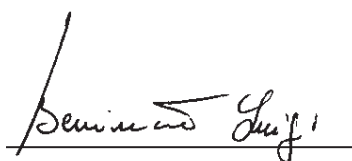
---

è conforme alle seguenti disposizioni pertinenti:  
complies with the following relevant provisions:  
folgenden einschlagigen Bestimmungen entspricht:  
correspond aux dispositions pertinentes suivantes:  
satisface las disposiciones pertinentes siguientes:  
zgodny jest z ponizej wyszczególnionymi rozporządzeniami:

Direttiva sulla compatibilità elettromagnetica  
(89/336/CCE, 93/68/CEE)  
EMC guidelines (89/336/EEC, 93/68/EEC)  
EMV-Richtlinie (89/336/EWG, 93/68/EWG)  
Directive EMV (89/336/CCE, 93/68/CEE)  
(Compatibilité électromagnétique)  
Reglamento de compatibilidad electromagnética  
(89/336/MCE, 93/68/MCE)  
Wytyczna odnośnie zdolności współdziałania  
elektromagne-tycznego (89/336/EWG, 93/68/EWG)

Direttiva sulla bassa tensione (73/23/CEE, 93/68/CEE)  
Low voltage guidelines (73/23/EEC, 93/68/EEC)  
Tiefe Spannung Richtlinie (73/23/EWG, 93/68/EWG)  
Directive bas voltage (73/23/CEE, 93/68/CEE)  
Reglamento de bajo Voltaje (73/23/MCE, 93/68/MCE)  
Wytyczna odnośnie niskiego napięcia (73/23/EWG,  
93/68/EWG)

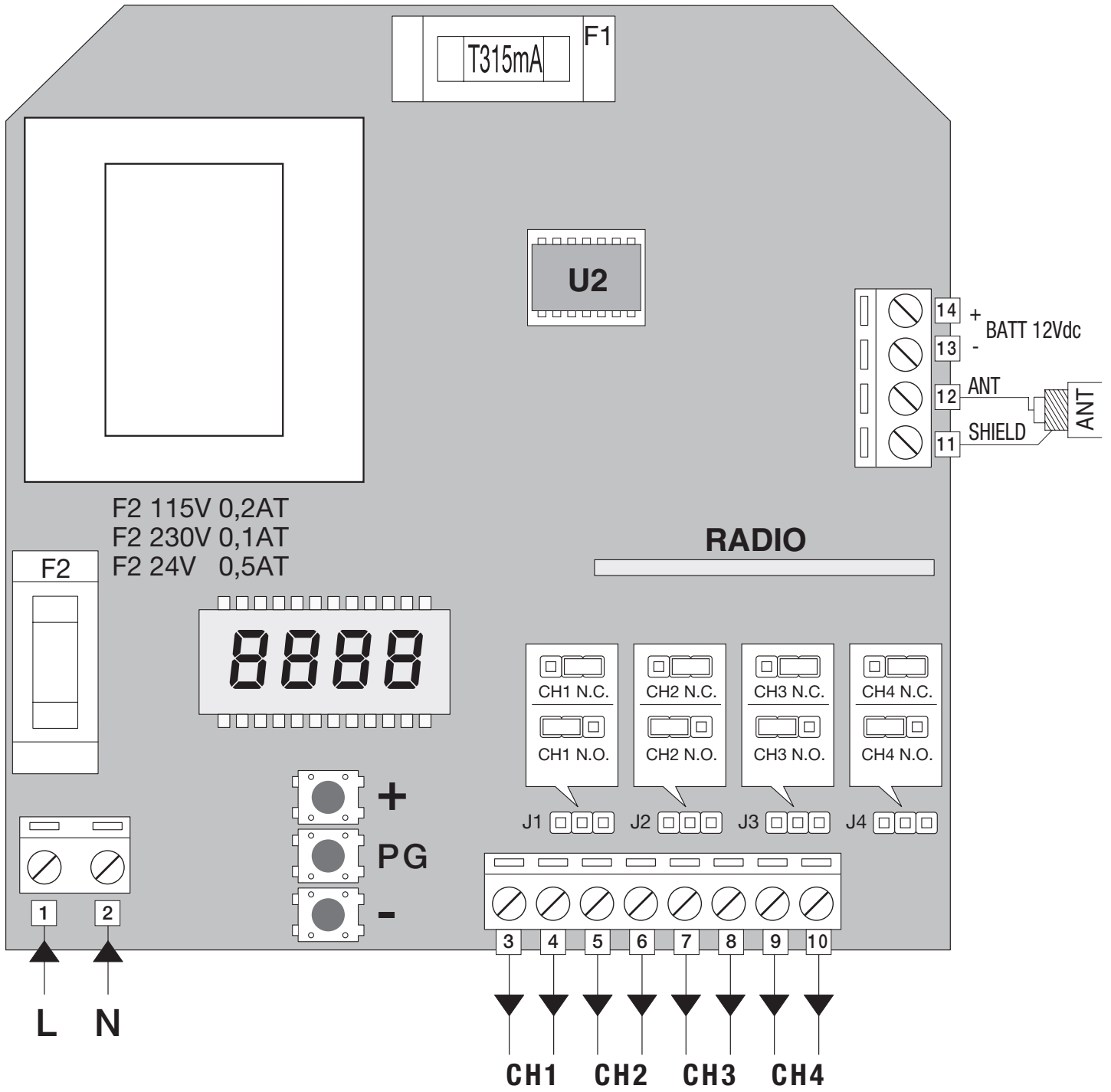
Direttiva apparecchiature radio 1999/5/CEE  
Radio and Telecommunications Terminal Equipment  
(R&TTE) 1995/5/EEC  
Richtlinie 1999/5/EWG betr. Funkanlagen und  
Telekommunikationsendeinrichtungen  
Directive 1999/5/CE concernant les équipements hertziens  
et les équipements terminaux de tél écommunications et la  
reconnaissance mutuelle de leur conformité  
Directiva 1999/5/CE Equipos Radioeléctricos y Equipos  
Terminales de Telecomunicación  
Dyrektywa 1999/5/WE w sprawie urządzeń radiowych i  
końcowych urządzeń telekomunikacyjnych oraz wzajem-  
nego uznawania ich zgodności



Benincà Luigi, Responsabile legale.  
Sandrigo, 01/10/2006.

**BENINCA®**

Automatismi Benincà SpA  
Via Capitello, 45  
36066 Sandrigo (VI)  
ITALIA



## RR.4WBP Programmable, Four-channel Radio Receiver SPECIFICATIONS

- Four output, independent and freely configurable channels
- Radio receiver, with 433.92MHz radio frequency and programmable code transmitters (self-learning and dipswitches)
- Programming through built-in LCD display
- It is possible to store up to 16 transmitter codes into memory
- Versions with 230VAC, 115VAC or 24VAC/CC power supply are available.
- Input for 12VDC emergency battery, with automatic charge.

INPUT/OUTPUT FUNCTIONS		
Input, No.	Function	Description
1-2	Power supply	Input, 230Vac 50Hz (1-Phase/2-Neutral) in the 230V version Input, 115Vac 60Hz (1-Phase/2-Neutral) in the 115V version Input, 24 Vac/dc (1+ /2 -) in the 24V version
3-4	Channel 1	Output, channel 1. 230 Vac max 5A. Normally Open (N.O.) Contact, switchable in Normally Closed (N.C.) through jumper 1.
5-6	Channel 2	Output, channel 2. 230 Vac max 5A. N.O. Contact, switchable in N.C. through jumper 2.
7-8	Channel 3	Output, channel 3. 230 Vac max 5A. N.O. Contact switchable in N.C. through jumper 3.
9-10	Channel 4	Output, channel 4. 230 Vac max 5A. N.O. Contact, switchable in N.C. through jumper 4.
11-12	Antenna	Antenna connection of the built-in radio module (11-screen/12-signal).
13-14	Battery	Input for emergency battery, 12Vdc (13:- / 14:+). It allows the operation of the receiver in case of power failure of the mains, During the mains operation the battery is recharged. Recharge time, about 15 hours for a battery 12V/1,2Ah.

### Note:

The U2 memory may contain 16 transmitter codes maximum. If required, this memory can be removed and installed onto another receiver.

### PROGRAMMING

The programming of the various functions of the control unit is carried out by using the LCD display in the receiver and presetting the desired values in the programming menus described hereunder.

- 1 - Press the <PG> key, the display shows the first Parameters Menu "PAR".
- 2 - By using the keys <+> or <->, select the desired Menu (PAR>>LOG>>RADIO>>....).
- 3 - Press the <PG> key, the display shows the first function available on the Menu.
- 4 - By using the keys <+> or <->, select the function to be modified.
- 5 - Press the <PG> key, the currently preset value for the selected function is displayed.
- 6 - By using the <+> or <-> keys, select the value to be assigned to the function.
- 7 - Press the <PG> key, "PRG" is displayed which means the programming has been successful.

### Note:

You can return to the upper menu without making changes if you press the <+> and <-> keys simultaneously in a Function Menu.

Press PG to select the desired value. OK is shown to confirm a successful programming.

After 60 sec wait, the receiver exits the programming mode and the display switches off.

Each single function, which is available in the control unit, is described in the following tables.

## PARAMETERS

MENU	FUNCTION	
<i>nch1</i>	The operating mode of channel 1 is preset. The descriptions of the single submenus are shown hereunder:	
	<i>inp</i>	Monostable. The relay activates for 1 sec when the corresponding key is pressed; then the relay returns to its original status.
	<i>tg</i>	Bistable. When the associated key in the transmitter is pressed, the relay activates. It remains in its new status until the key is pressed again.
	<i>tme</i>	Timed. The switching time of the relay can be set between 1 second and 10 minutes. By using the <+> and <-> keys, select the desired time. The presettable values are: from 1 to 10s with 1s steps from 30s to 300s with 30s steps from 300s to 600s with 60s steps.
	<i>cont</i>	The relay switches each time the corresponding key in the transmitter is pressed and returns to its original status after its realise.
<i>nch2</i>	Same operating modes preset for MCH1.	
<i>nch3</i>	Same operating modes preset for MCH1.	
<i>nch4</i>	Same operating modes preset for MCH1.	

## LOGICHE

MENU	FUNCTION
<i>SAFE</i>	With this function enabled, channel 1 switches only if the corresponding key is pressed for longer than 3 seconds. This function is useful specially to control alarm installations or in cases when accidental activation is to be averted. <b>The default function is preset on OFF.</b>

## RADIO

*The receiver is supplied with free access to all functions. If necessary, a key code can be created (see key functions), which will be asked at each access attempt to the radio menu.*

MENU	FUNCTION	
<i>Add</i>	Menu to type in the transmitter codes in memory. The message FULL means that the receiver memory is complete. The submenus are described hereunder:	
	<i>ch1</i>	The key is associated to channel 1. Press, within 5 sec, the transmitter key which is to be associated to channel 1. Synchronism control is activated (see Synchronism paragraph).
	<i>ch2</i>	The key is associated to channel 2. Press, within 5 sec, the transmitter key which is to be associated to channel 2. Synchronism control is activated (see Synchronism paragraph).
	<i>ch3</i>	The key is associated to channel 3. Press, within 5 sec, the transmitter key which is to be associated to channel 3. Synchronism control is activated (see Synchronism paragraph).
	<i>ch4</i>	The key is associated to channel 4. Press, within 5 sec, the transmitter key which is to be associated to channel 4. Synchronism control is activated (see Synchronism paragraph).

<i>Add</i>	<i>FIH</i>	The four keys of a four channel transmitter are automatically associated, each one to the corresponding channel. (Key1:ch1, key2:ch2, key3:ch2 and key4:ch4). Press, within 5 seconds, any key of a four channel transmitter. Synchronism control is activated (see Synchronism paragraph).
	<i>KEY</i>	A key code to protect functions of the radio menu is created. Type a 4-digit number by pressing + and - keys to increase/decrease the number. Keep the key pressed to accelerate increase/decrease- To confirm the desired value, press OK. Important note: take note of the typed-in code and keep it carefully.
<i>dEL</i>	Menu to erase previously typed in transmitter codes from memory. The single submenus are described hereunder:	
	<i>codE</i>	The receiver is in a waiting mode, waiting for a memorized transmitter key to be pressed. The transmitter is erased from the receiver memory.
	<i>indh</i>	Remove a control unit code for which the position in memory is know, see function Find>Code
	<i>KEY</i>	It erases the key code from memory to gain access to all functions of the radio menu.
<i>rES</i>	The receiver memory is completely erased. All transmitter codes and relevant associations and channel parameters are cancelled. A confirmation of the operation is being asked.	
<i>F ind</i>	Search Menu for transmitter codes stored in memory. The single submenus are described hereunder:	
	<i>codE</i>	La ricevente si pone in attesa di un codice, premere un pulsante del trasmettitore, se presente visualizza la posizione in memoria.
	<i>n tH</i>	The number of transmitter codes stored in the receiver memory is displayed.