



CDVI

EN

FR

PROFIL100EC



***Illuminated Mullion Weatherproof Keypad Remote Electronics
Clavier codé rétro-éclairé avec électronique déportée***

Range: Digicode® / **Gamme :** Digicode®

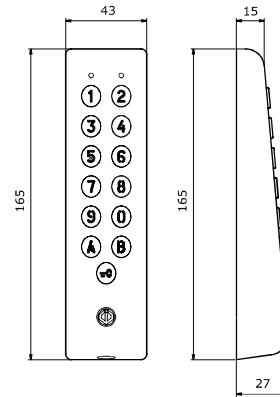
INSTALLATION MANUAL
MANUEL D'INSTALLATION

PROFIL100EC

Illuminated Mullion Weatherproof Keypad with Remote Electronics

1] PRODUCT PRESENTATION

- **Stainless steel.**
- **Narrow:** Ideal for installation on an aluminium section.
- **Backlit.**
- **2 relays.**
- **Recommended for activating and deactivating your alarm system.**
- **Surface-mount.**
- **Free voltage.**
- **Installation with Diax® screws.**
- **PCB of remote electronics protected with a varnish coating.**
- **100 user codes.**



- WEEE & RoHS
- IP64
- CE certification
- Environmental tests: vibrations
- 25°C to +70°C

- Audible and visual feedback.
- Dimensions (L x W x D): 165 x 43 x 27mm.
- Power supplies: 12V to 24V ac or 12V to 48V dc.
- Consumptions: 30 to 100mA.

Remote electronics, supplied with the PROFIL100EC keypad

- IP52
- 25°C to +70°C
- CE certification

2] NOTES & RECOMMENDATIONS

Cable

- The distance between the PROFIL100EC and the remote electronic can not exceed more than 10 meters.
- Make sure that the cable is not near by a high voltage cables (ex: 230V ac).
- Recommended cable between the PROFIL100EC and the remote electronics: 2 twisted pairs (4 wires) SYT1 0.8MM.

Mounting recommendations

Mount the keypad on a flat surface to avoid any vandalism and to insure the best mounting.

Security advice

- For security advice reasons, change the factory default master code.
- When selecting a master code and user code avoid simple codes (example : **3 4 5 6 7**).

Installation recommendations

To secure the system from back electromagnetic fields do not forget to mount the varistor in parallel on the lock.

Recommended power supplies suitable for the PROFIL100EC

ARD12 (230V input) or BS60 (230V input).

3] MOUNTING KIT

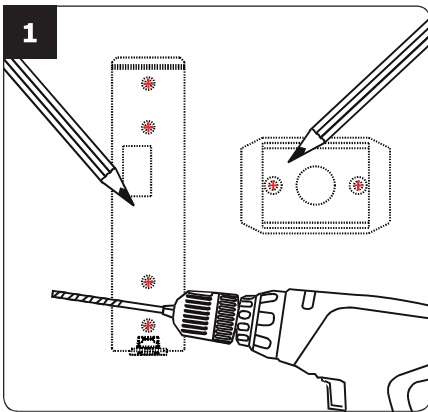
| | Mounting plate for remote electronics box | Wiring sealed cap | Varistor | (M5x8 Diax® screw) | T20 Diax® Spanner | Plastic anchors | (M4x30) mounting screws |
|--------------------|---|-------------------|----------|--------------------|-------------------|-----------------|-------------------------|
| Remote electronics | 1 | 2 | - | - | - | 2 | 2 |
| PROFIL100EC | - | - | 1 | 1 | 1 | 2 | 2 |

PROFIL100EC

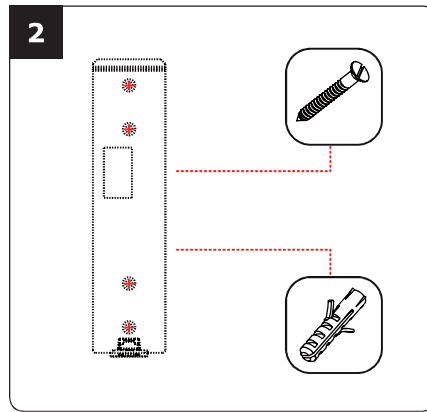
Illuminated Mullion Weatherproof Keypad with Remote Electronics

4] MOUNTING INSTRUCTIONS

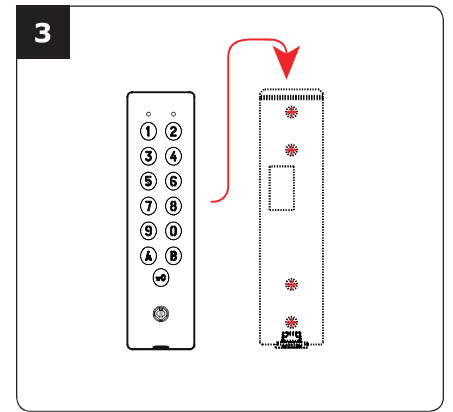
Once you have made sure that the mounting kit is complete and that you prepared the cables of the PROFIL100EC keypad and its remote electronic then you can proceed and mount the product. Make sure that you have all the appropriate tools (drill, screw drivers and a meter tape...) and follow the mounting instructions for the PROFIL100EC and its remote electronic.



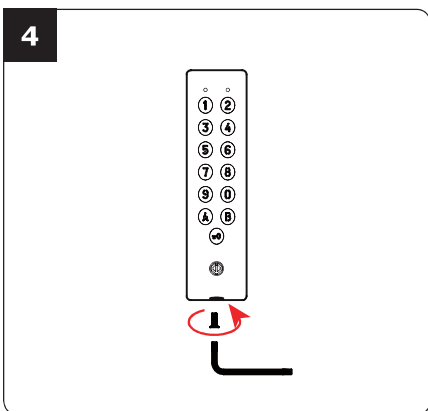
Verify the distance between the PROFIL100EC keypad and its remote electronic (refer to page 3, Notes and Recommendations). Place the back plate of the PROFIL100EC on the wall and the bracket of the remote electronic then mark with a pen the hole location then drill the 2 mounting holes (5mm drill bit \varnothing and 35mm hole depth) and the hole wiring access.



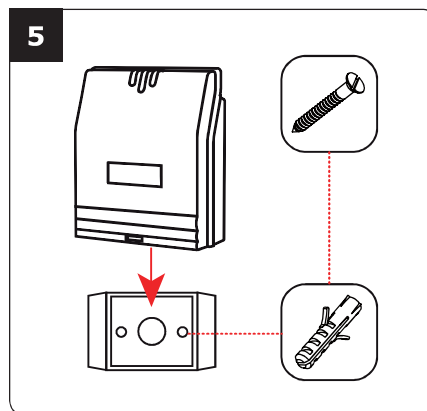
Insert the 2 plastic anchors in the holes. Mount the back plate of the PROFIL100EC with the (M4x30) mounting screws.



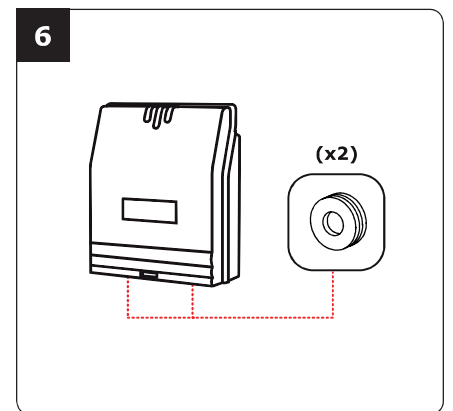
Insert the cable in the hole access area of the back plate. Then mount the keypad on the back plate, placing first the top in the hooks and then the bottom.



Fasten the PROFIL100EC keypad to the back plate by using the supplied (M5x8) Diax® screw and T20 Diax® spanner hardware.



Insert the 2 plastic anchors in the holes. Place the bracket of the electronic and screw on the wall using the supplied M4x30 screws. Slide the box from up to down on the bracket.

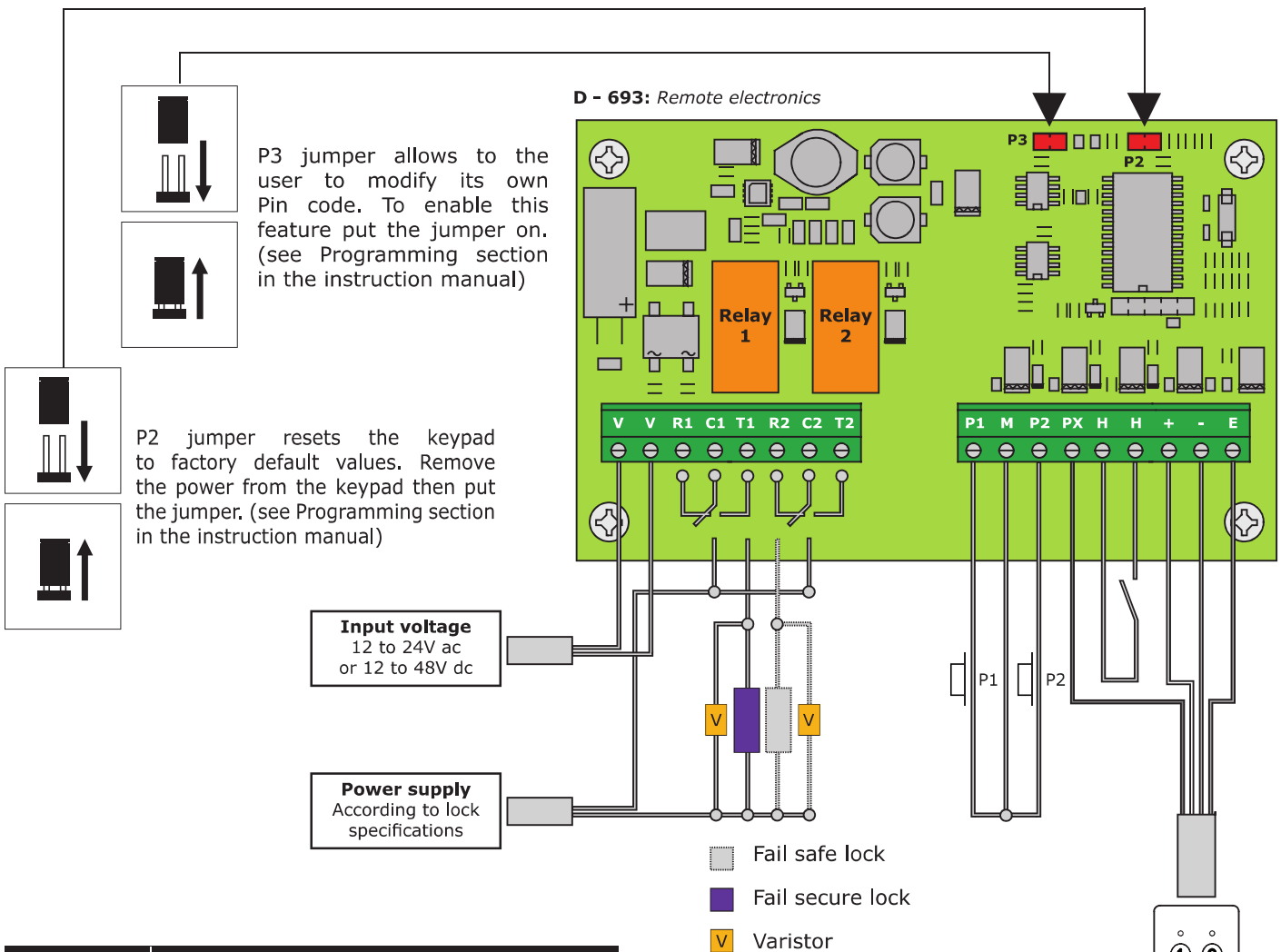


Insert the cable in the remote electronic and wire the cable to the terminals. Don't forget to install the varistor on the lock (refer to page 3, Notes and Recommendations).

PROFIL100EC

Illuminated Mullion Weatherproof Keypad with Remote Electronics

5] WIRING DIAGRAM



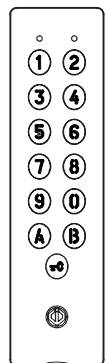
| Outputs | Description |
|---------|--|
| V | Input voltage 12V to 24V ac or 12V to 48V dc |
| V | Input voltage 12V to 24V ac or 12V to 48V dc |
| R1 | N/C contact relay 1 |
| C1 | Common relay 1 |
| T1 | N/O contact relay 1 |
| R2 | N/C contact relay 2 |
| C2 | Common relay 2 |
| T2 | N/O contact relay 2 |
| P1 | Request-to-exit input relay 1 |
| M | Common of inputs |
| P2 | Request-to-exit input relay 2 |
| PX | Request-to-enter input |
| H | Timer Contact |
| + | White wire from keypad |
| - | Brown wire from keypad |
| E | Green or Blue wire (illumination) |

Request-to-Exit inputs

- P1 request-to-exit input activates relay 1.
- P2 request-to-exit input activates relay 2.
- Latch or toggled output.

H input can be used with a timer to enable the request-to-enter function. (Press the button on the keypad with the key logo

When the contact is open then the request-to-enter is disabled. When the contact is closed then press the button with the key logo to enter.



PROFIL100EC

Illuminated Mullion Weatherproof Keypad with Remote Electronics

Default values

- Without codes.
- Illumination time: 10 seconds.
- Relay release time: 1 second.
- Code length: 5-digits.
- Master Code: **1 2 3 4 5**.
- Programming security time : *120 secondes.*
- Code length for sub master code:
 - *Version 1 relay (Group 1) = AB,*
 - *Version 2 relays (Group 2) = 13.*

Audible signal:

- The buzzer indicates different audible signals.
- It can be turned off by cutting

the ST1 wire on the remote electronics.

- 1 short beep: Keypad powered.
- 1 long beep: Data computing in programming or access granted.
- 2 short beeps: Enter or Exit from programming.
- 4 short beeps: data computing error.

Code length

- The master code and the User codes can be of 4 or 5-digits in length.
- All the keypad keys can be used to program a code.

- The master code and the Pin code can be of 4 or 5-digits code.
- The master code CAN NOT be used as a PIN code (User Pin code).
- To delete a specific User pin Code replace it by **0 0 0 0** if code length is 4-digits format or replace it by **0 0 0 0 0** if the code is in 5-digits format.

P2 jumper:

Reset master code and user codes

P3 jumper:

Modification of individual code by the user

A. Reset master code and user codes

1. Enter the master code twice

- (**1 2 3 4 5** default value master code).
- 2 beeps are emitted to confirm entry in programming mode.

2. Press A6 to reset the Master Code and the User codes.

- One beep is emitted.
- Press on **A** and **B** to confirm reset of all memory of the keypad.
- Wait for two beeps.
- The master code is restored to its default value **1 2 3 4 5** and all the User codes are deleted from the keypad.
- Once the reset is completed then the keypad returns to a stand-by operating mode.

OR

1. Cut the power. Place the jumper on P2.

2. Put the power back.

- Wait approximately 3 seconds.
- Two beeps are emitted to confirm reset of the keypad.
- Remove P2 jumper.

- The master code is restored to its default value **1 2 3 4 5** and all the User codes are deleted from the keypad.

B. Setting code length

1. Enter the master code twice.

- (**1 2 3 4 5** default value master code).
- 2 beeps are emitted to confirm entry in programming mode.

2. Press A4 to program the code length.

- One beep is emitted.
- Press **4** or **5** for the digit code.
- One beep is emitted to confirm programming of the code length.

3. Press A5 to modify the master code.

- One beep is emitted.
- Enter the new 4 or 5-digits master code.
- One beep is emitted to confirm programming of the new master code.

4. Press B to exit from programming mode.

- 2 beeps are emitted to confirm that the keypad is in stand-by operating mode.

4 beeps indicate a data computing error.

PROFIL100EC

Illuminated Mullion Weatherproof Keypad with Remote Electronics

C. Changing the master code

The master code is used only to enter in programming mode.

- 1. Enter the master code twice.**
(**1 2 3 4 5** default value master code).
2 beeps are emitted to confirm entry in programming mode.
- 2. Press A5 to modify the master code.**
 - One beep is emitted.
 - Enter the new 4 or 5 digits master code.
 - One beep is emitted to confirm that the master code is programmed.
- 3. Press B to exit from the programming mode.**
2 beeps are emitted to confirm that the keypad is in stand-by operating mode.

D. Adding, changing or deleting a user code

Group 1: From address 00 to address 99, relay output 1

- 1. Enter the master code twice**
(**1 2 3 4 5** default value master code).
2 beeps are emitted to confirm entry in programming mode.
- 2. To add a user code, enter the user location (from 00 to 99).**
If the user location is used 4 beeps are emitted, enter the 4 or 5-digits User code.
- 3. To Change a User code enter the user location.**
 - 4 beeps are emitted to indicate that the user location is already programmed.
 - Enter a new 4 or 5-digits code.
 - A beep is emitted to confirm the new user code.
- 4. To delete a User code enter the user location.**
 - 4 beeps are emitted.

- Press **0 0 0 0 0** in 5-digits length code or **0 0 0 0** in 4-digits length code.
- A beep is emitted to confirm the user code has been deleted.

Note:

If the Pin code is already programmed or is identical to the master code, then 4 beeps are emitted. Press B to exit from the programming mode. 2 beeps are emitted to confirm that the keypad is in stand-by operating mode.

E. Time outputs

This section allows to program the illumination time and the Relay activation time.

- 1. Enter the master code twice**
(**1 2 3 4 5** default value master code).
2 beeps are emitted to confirm entry in programming mode.
- 2. Press A0 to program the key-in keypad time and the keys lit time. 1 beep is emitted.**
 - Enter the time in 10th of second – **10** for 10 seconds up to **99** for 99 seconds
The backlighting dims 10 seconds after the last keypress or switches off after entering a valid code.
 - Press **00** for permanent illumination keys.
 - One beep is emitted to validate the time.
- 3. Press A1 to program relay 1 output time (door release time).**
 - 1 beep is emitted.
 - For a latched output enter the time in seconds – **01** for 1 second up to **99** for 99 seconds.
 - Press **00** for a toggled output.
 - One beep is emitted to validate the time.
- 4. Press B to exit from programming mode.**
2 beeps are emitted to confirm that the keypad is in stand-by operating mode.

4 beeps indicate a data computing error.

PROFIL100EC

Illuminated Mullion Weatherproof Keypad with Remote Electronics

F. Reset master code

On stand-by operating mode, put a jumper on P2.

- Wait 1 second and then remove the jumper.
- One beep is emitted.
- The master code is restored to its default value **1 2 3 4 5** in 5-digits code and **1 2 3 4** in 4-digits code.

G. Changing the code by a user

To authorize a user to modify its own User code place the jumper on P3 (to disable the function remove the jumper).

- 1. Enter the old user code.**
The relay is activated and a beep is emitted.
- 2. Enter the 2-digits sub master code (default sub master code AB).**
A beep is emitted to authorise the modification.
- 3. Enter the new user code.**
2 beeps are emitted to confirm the new code.
- 4. Check the new user code to be sure of the modification.**

H. Setting a sub master code

The Sub Master code allows the user to change its own code without entering in programming mode. For security reasons the code need to be changed periodically. This feature makes it easier and faster to change its code.

- 1. Enter the master code twice**
(**1 2 3 4 5** default value master code).
2 beeps are emitted to confirm entry in programming mode.
- 2. Press A7 to program a sub master code for the user individual Pin code modification.**
 - One beep is emitted.
 - Enter the new 2-digits sub master code.
 - One beep is emitted to confirm programming of the sub master code.

3. Press B to exit

from the programming mode.

2 beeps are emitted to confirm that the keypad is in stand-by operating mode.

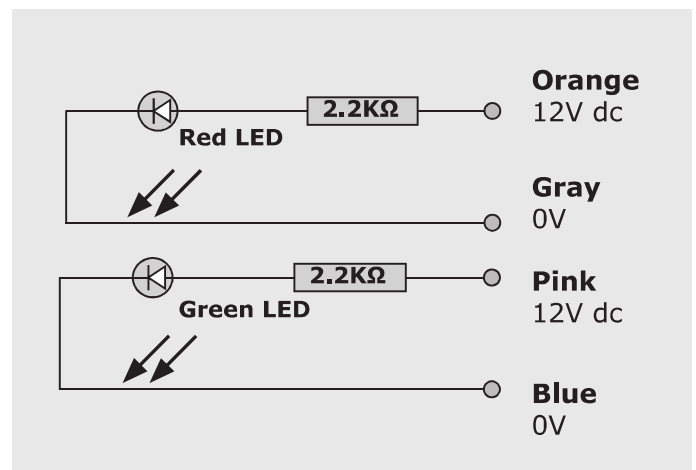
I. Audible Feedback

The audible signal is enabled in programming mode and when the relay is energised after a valid code. To enable the audible feedback on a key press:

- 1. Enter the master code twice**
(**1 2 3 4 5** default value master code).
2 beeps are emitted to confirm entry in programming mode.
- 2. Press AA.**
 - One beep is emitted.
 - Press **0** to disable the audible signal during a keypress.
 - Press **1** to enable the audible signal during a keypress.
 - One beep confirms the new setting.
- 3. Press B to exit from programming.**
2 beeps are emitted to confirm exit from programming mode.

J. Use of the red and green LEDs:

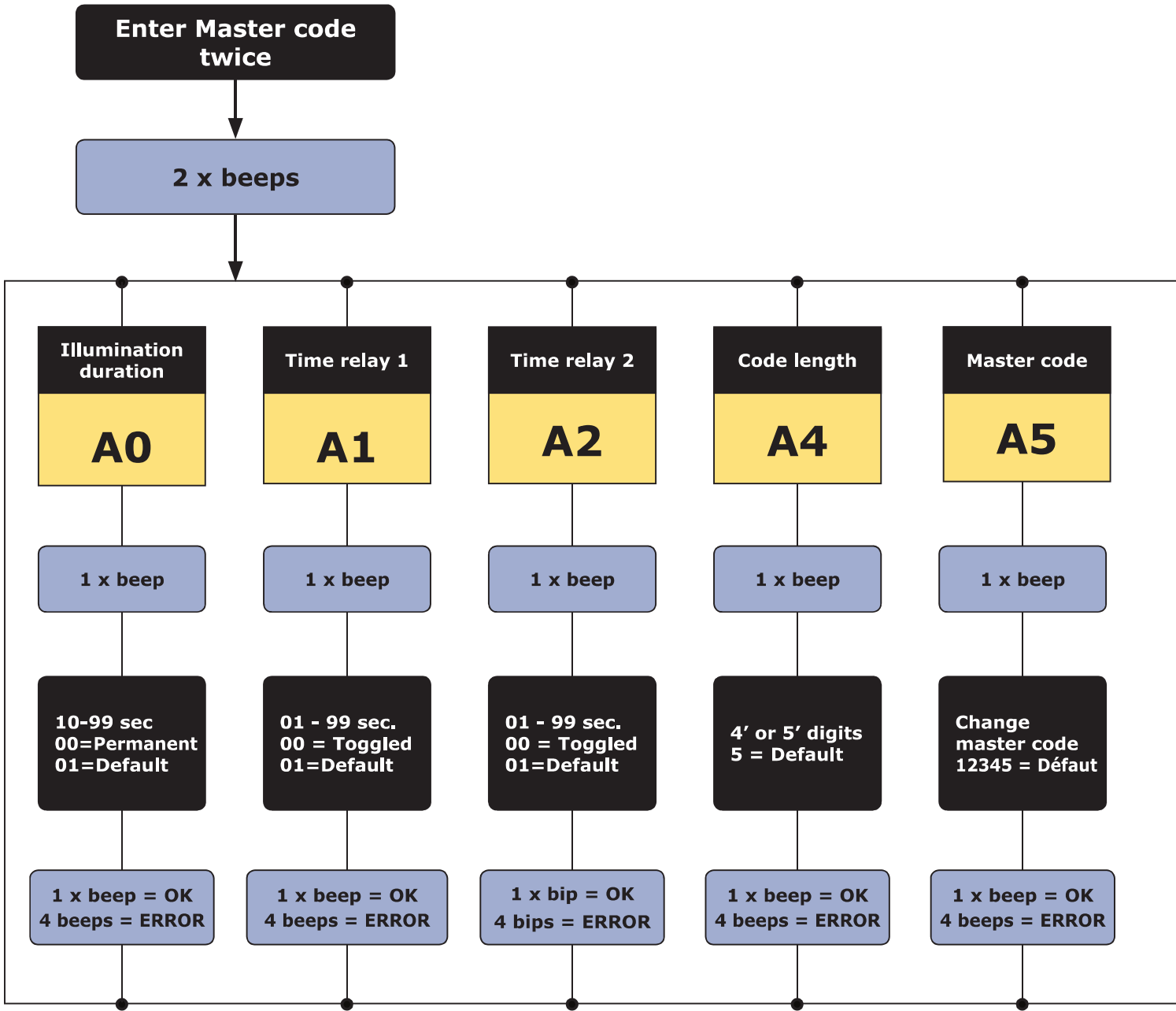
- The red and green LEDs are designed to receive 12V dc (built-in resistors),
- They are wired as follows:



PROFIL100EC

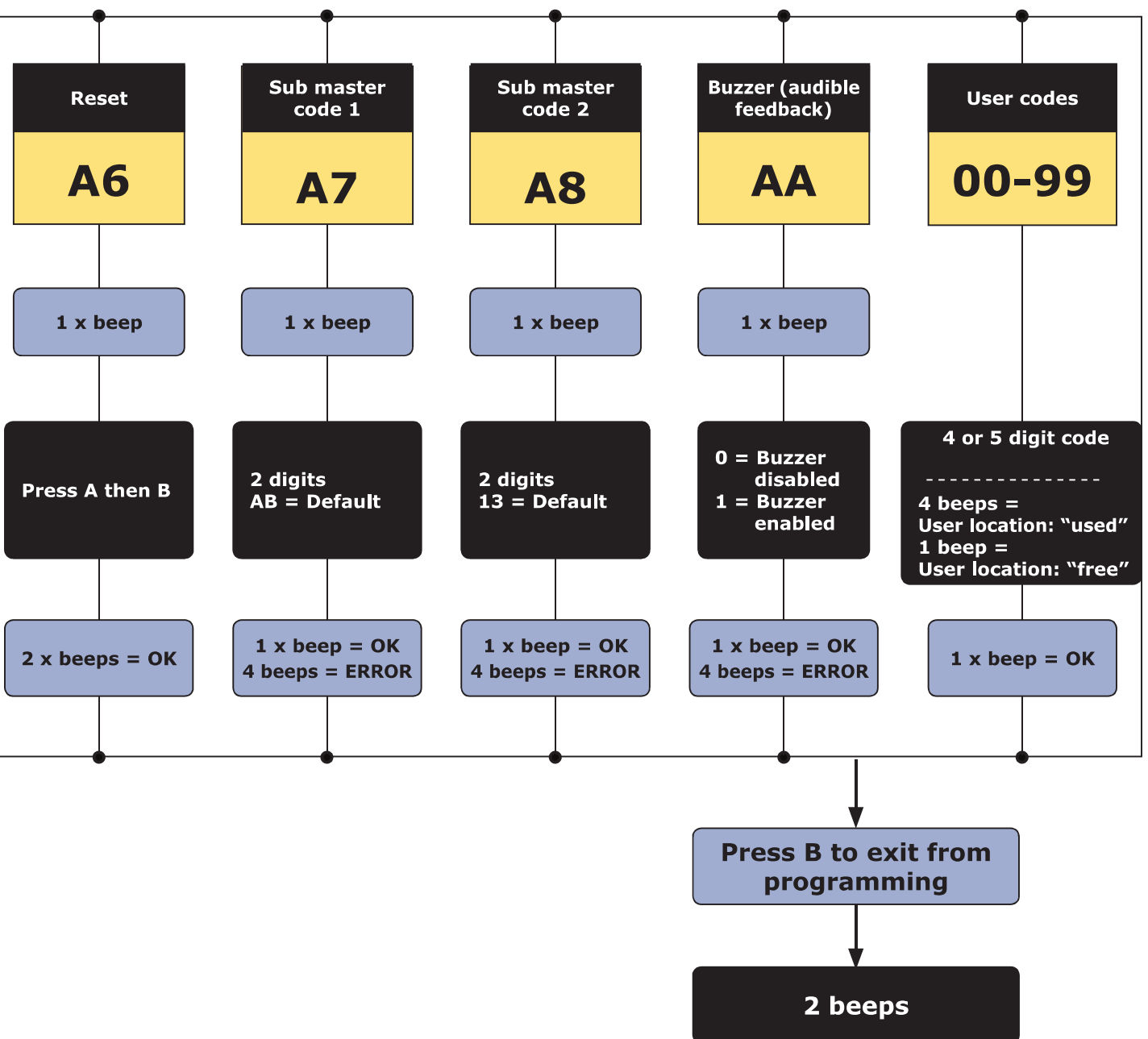
Illuminated Mullion Weatherproof Keypad with Remote Electronics

6] Chart



PROFIL100EC

Illuminated Mullion Weatherproof Keypad with Remote Electronics



PROFIL100EC

Illuminated Mullion Weatherproof Keypad with Remote Electronics

This spread sheet will help you keep track of the user codes programmed in the keypad

| User location | Code | | | | Name | User location | Code | | | | Name | User location | Code | | | | Name |
|---------------|------|--|--|--|------|---------------|------|--|--|--|------|---------------|------|--|--|--|------|
| 00 | | | | | | 34 | | | | | | 68 | | | | | |
| 01 | | | | | | 35 | | | | | | 69 | | | | | |
| 02 | | | | | | 36 | | | | | | 70 | | | | | |
| 03 | | | | | | 37 | | | | | | 71 | | | | | |
| 04 | | | | | | 38 | | | | | | 72 | | | | | |
| 05 | | | | | | 39 | | | | | | 73 | | | | | |
| 06 | | | | | | 40 | | | | | | 74 | | | | | |
| 07 | | | | | | 41 | | | | | | 75 | | | | | |
| 08 | | | | | | 42 | | | | | | 76 | | | | | |
| 09 | | | | | | 43 | | | | | | 77 | | | | | |
| 10 | | | | | | 44 | | | | | | 78 | | | | | |
| 11 | | | | | | 45 | | | | | | 79 | | | | | |
| 12 | | | | | | 46 | | | | | | 80 | | | | | |
| 13 | | | | | | 47 | | | | | | 81 | | | | | |
| 14 | | | | | | 48 | | | | | | 82 | | | | | |
| 15 | | | | | | 49 | | | | | | 83 | | | | | |
| 16 | | | | | | 50 | | | | | | 84 | | | | | |
| 17 | | | | | | 51 | | | | | | 85 | | | | | |
| 18 | | | | | | 52 | | | | | | 86 | | | | | |
| 19 | | | | | | 53 | | | | | | 87 | | | | | |
| 20 | | | | | | 54 | | | | | | 88 | | | | | |
| 21 | | | | | | 55 | | | | | | 89 | | | | | |
| 22 | | | | | | 56 | | | | | | 90 | | | | | |
| 23 | | | | | | 57 | | | | | | 91 | | | | | |
| 24 | | | | | | 58 | | | | | | 92 | | | | | |
| 25 | | | | | | 59 | | | | | | 93 | | | | | |
| 26 | | | | | | 60 | | | | | | 94 | | | | | |
| 27 | | | | | | 61 | | | | | | 95 | | | | | |
| 28 | | | | | | 62 | | | | | | 96 | | | | | |
| 29 | | | | | | 63 | | | | | | 97 | | | | | |
| 30 | | | | | | 64 | | | | | | 98 | | | | | |
| 31 | | | | | | 65 | | | | | | 99 | | | | | |
| 32 | | | | | | 66 | | | | | | | | | | | |
| 33 | | | | | | 67 | | | | | | | | | | | |

NOTE

Relay 1 (1 output)
From user location 00 to 59.

Relay 2 (2 output)
From user location 60 to 99.

Manufacturing Access Control since 1985



All the specifications on this document (photos, drawing, features and dimensions) could be changed without prior notice.
Toutes les indications mentionnées sur le présent document (photos, dessins, caractéristiques et côtes) sont susceptibles de modifications sans notification préalable.

CDVI (Headquarters/Siège social)
FRANCE
Phone: +33 (0)1 48 91 01 02
Fax: +33 (0)1 48 91 21 21

CDVI
AMERICAS
Phone: +1 (450) 682 7945
Fax: +1 (450) 682 9590

CDVI
BENELUX
Phone: +32 (0) 56 62 02 50
Fax: +32 (0) 56 62 02 55

CDVI
TAIWAN
Phone: (0)42471 2188
Fax: (0)42471 2131

CDVI
SWITZERLAND
Phone: +41 (0)21 882 18 41
Fax: +41 (0)21 882 18 42

CDVI
CHINA
Phone: +86 (0)10 87664065
Fax: +86 (0)10 87664165

CDVI
IBÉRICA
Phone: +34 935 390 966
Fax: +34 935 390 970

CDVI
ITALIA
Phone: +39 0331 97 38 08
Fax: +39 0331 97 39 70

CDVI
MAROC
Phone: +212 5 22 48 09 40
Fax: +212 5 22 48 34 69

CDVI
SWEDEN
Phone: +46 (0)31 760 19 30
Fax: +46 (0)31 748 09 30

CDVI
UK
Phone: +44 (0)1628 531300
Fax: +44 (0)1628 531003

DIGIT
FRANCE
Phone: +33 (0)1 41 71 06 85
Fax: +33 (0)1 41 71 06 86

LA GÂCHE ÉLECTRIQUE
FRANCE
Phone: +33 (0)3 88 77 32 82
Fax: +33 (0)3 88 77 85 02