

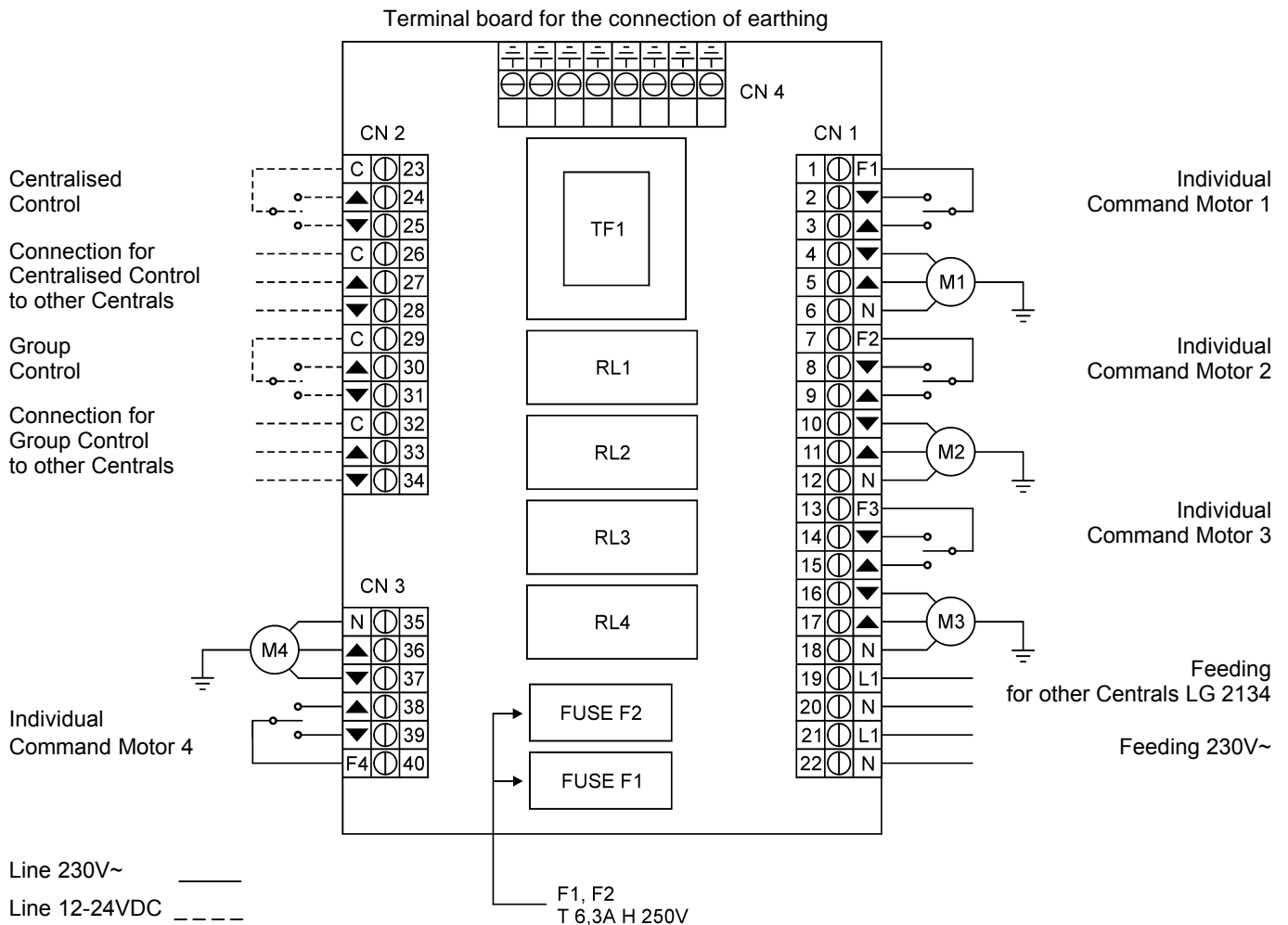
ELECTRONIC EXCHANGE LG 2134

Electronic device for individual, group and centralised control of 4 motors 230VAC.
It's possible to extend the working to more motors by connecting more centrals of the same model.

TECHNICAL CHARACTERISTICS

- Power supply:	230V~ 50-60Hz 3W
- Output for each motor:	230V~ 600W Max
- Individual commands:	230V~
- Group or centralised control:	24VDC
- Working temperature:	-20÷85°C
- Dimensions:	240x185x110mm
- Protection capability:	IP55

CONNECTION OF THE LG 2134 CENTRAL



SEAV s.r.l. declares that the product
Electronic Exchange LG 2134
Complies with the requirements of Directives EMC
2004/108/EC, LVD 2006/95/EC.



IMPORTANT NOTICE FOR THE INSTALLER

- The centre does not have any type of sectioning mechanism, it is therefore the responsibility of the installer to see to the installation of a sectioning device within the plant.
- The fixing of the electricity supply cables and their connection, must be guaranteed by means of the assembly of cable presses.