

LTX 2296 RADIO ACTUATOR AND RS 485



Radio Actuator / Transmitter LTX2296, used with the Receiver BeSafe RX New in all those cases where you have the need to have the implementation of the controls located in other sites from BeSafe RX New or to replicate remote radio commands, sent to the Receiver Besafe RX stored in memory.

IMPORTANT FOR THE INSTALLER

- The device must be powered by a low voltage source security that complies with EN61558-2-6.
- All operations, which require the opening of the case (installation, programming and repair, etc.), must be carried out by experienced staff.
- The fixing of power cables and connection cables must be guaranteed by assembling cable glands supplied optional.
- Secure the plastic cover of the device to a wall inserting the mounting screws in the provided spaces.

IMPORTANT FOR THE USER

- The device can be used by children over the age of 8 years or people with limited psychological or physical abilities or with little knowledge and experience only when supervised or trained on the operation and how to use safely to understand the dangers involved in its use.
- These instructions are available on the website www.seav.com
- Do not allow children to play with the device and keep the radio controls out of their reach.
- Frequently examine the plant to detect any signs of damage. Do not use the device if you need a repair.
- Always remember to turn off the power before cleaning or maintenance works.
- The cleaning and maintenance works shall not be made by children without being supervised.

ATTENTION: keep this instruction manual and respect the important safety instructions contained inside. The non-compliance with the prescriptions may cause damages and serious accidents.

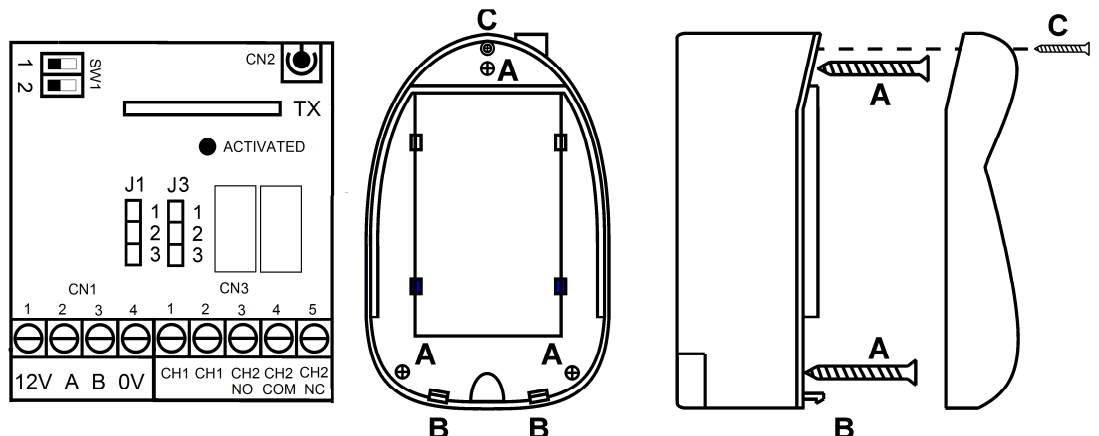
Radio Actuator / Transmitter LTX 2296

Complies with the requirements of the rules R&TTE 99//EC, EMC 2004/108/EC, LVD 2006/95/EC.

TECHNICAL CHARACTERISTICS

- Supply: 12Vdc
- Max consumption: 20 mA
- Cable length: 100 mt. Max.
- Work Frequency : 433,92 MHz
- Transmitters op. : 12-18-32 Bit o Rolling Code
- N° 2 command relè : 30VDC 1A
- Range in free space: 50-100mt.
- Working temperature: -10°C ÷ +55°C
- Dimensions: 53x82x40mm

J1 (1-2) TERMINAZIONE ON
J1 (2-3) TERMINAZIONE OFF
J3 (1-2) RELE' CH1 N.C.
J3 (2-3) RELE' CH1 N.O.



CONNECTIONS OF TERMINAL BLOCKS

CN1 :

- 1 : Supply output 12 VDC Device.
- 2 : Communication gate RS 485 signal A.
- 3 : Communication gate RS 485 signal B.
- 4 : Supply output 0 VDC device.

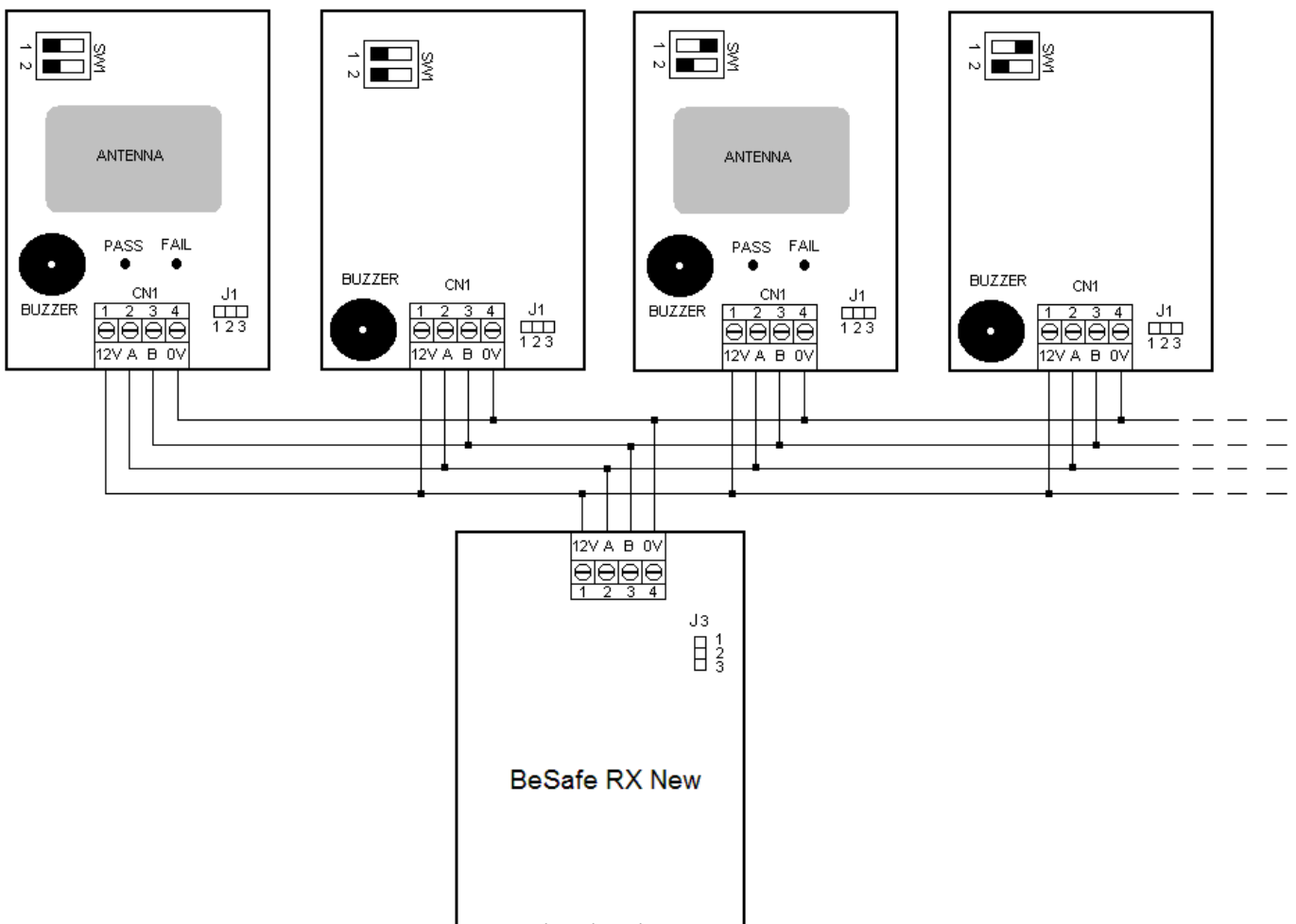
CN2 :

- 1 : Input Antenna hot spot.
- 2 : Input mass Antenna.

CN3 :

- 1 : Output Relè OUT 1 dry contact control (NO).
- 2 : Output Relè OUT 1 dry contact control (NO).
- 3 : Output Relè OUT 2 dry contact control (NO).
- 4 : Output Relè OUT 2 dry contact control (COM).
- 5 : Output Relè OUT 2 dry contact control (NC).

CONNECTING BUS TO RECEIVER BeSAFE RX NEW



It is possible to connect to every single BeSafe RX New receiver up to 2 Actuators / Transmitters LTX2296.
By dip switch SW1 in advance you must assign to each Actuator / Transmitter LTX2296 its own address:

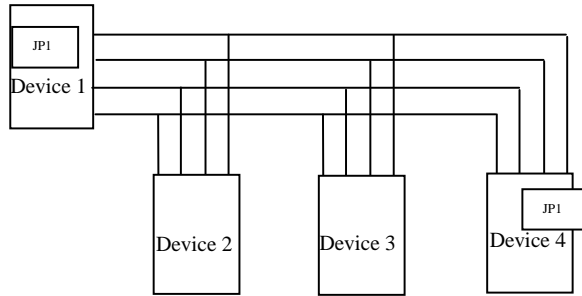
ADDRESS 1 ADDRESS 2

The communication is via standard RS485. It is possible to make connections with cable lengths up to 100 m.
In case of communication problems it is recommended to move the jumper J1 to 1-2 (insertion of the terminating resistor) on devices located at the ends of the links:

J1 pos. 1-2 = inserted termination resistance.

J1 pos. 2-3 = not inserted terminating resistor (default).

ex:



In the example above the jumpers should be placed on devices n. 1 and n. 4, irrespective of the type of device.

MODE OF OPERATION OF RADIO ACTUATOR AND RS485 - LTX2296

The Actuator / Transmitter LTX2296 does not need of any programming in advance, but just make the connection to Bus RS 485. The Actuator has a signal Led " ACTIVATED " of red colour that will turn on for every valid radio command, sent to the Receiver Besafe RX stored in memory, in this way operations or radio command codes will be repeated.