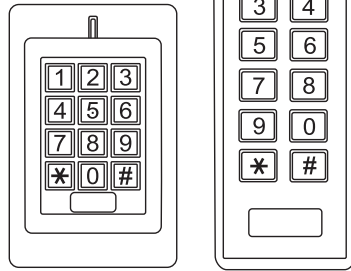


Easy Keypad (Waterproof)



Metal

ABS

User Manual

INTRODUCTION

The keypad is a single entry standalone Access Control with integrated keypad and card reader. It is an easy to install and operate device, designs in 8 wires for mounting, with user-friendly programming. The compact design makes it a good choice for door access.

The device is housed in a strong Metal/ABS(optional) case. It supports up to 1000 users in multiple access configurations (Card Only, Card or PIN, or Card + PIN). The built in card reader supports 125KHz EM / 13.56MHz Mifare cards.

Features

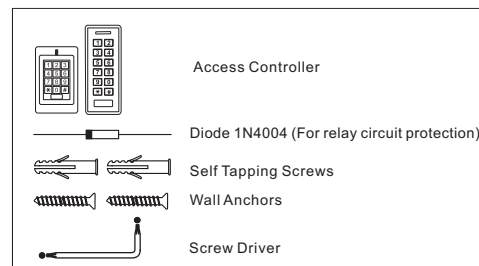
- > Backlit Keypad
- > Multi-color LED Status Display
- > One Programmable Relay Output
- > 1000 Users (990 Normal Users+10 Visitor Users)
- > Card Type: 125KHz EM Card / 13.56MHz Mifare Card
- > Access Modes: Card, PIN, Card + PIN
- > Low Power Consumption (50mA)
- > Anti-tamper Alarm
- > Latch Mode To Hold Door Or Gate Open
- > Waterproof, Conforms To IP66

Specifications

User Capacity Normal Users Visitor Users	1000 Cards/PINs 990 10
Operating Voltage Idle Current Active Current	9-18V DC 50mA 80mA
Keypad 12 Keys	
Proximity Card Reader Radio Technology Read Range	EM/Mifare(Optional) 125KHz EM Card/13.56MHz Mifare Card 3-6cm
Wiring Connections	Relay Output, Exit Button Alarm, Door Contact
Relay Adjustable Relay Output Time Lock Output Load	One (NO, NC, Common) 0-99 Seconds (5 seconds default) 3 Amp Maximum
Environment Operating Temperature Operating Humidity	Outdoor -40°C~60°C, -40°F~140°F 10%-90% Non-condensing

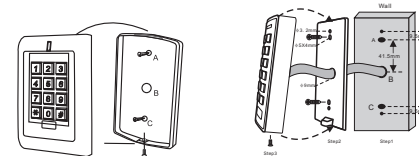
Physical Color	ABS/Zinc-Alloy Enclosure Black,White(ABS) Silver(Metal)
Dimensions	L120 x W50 x H21 mm (ABS) L117 x W76 x H25 mm (Metal)
Unit Weight	210g(ABS) 500g(Metal)
Shipping Weight	310g(ABS) 600g(Metal)

Carton Inventory



INSTALLATION

- > Remove the back cover from the unit
- > Drill 2 holes(A,C) on the wall for the screws and one hole for the cable
- > Knock the supplied rubber bungs to the screw holes(A,C)
- > Fix the back cover firmly on the wall with 4 flat head screws
- > Thread the cable through the cable hole(B)

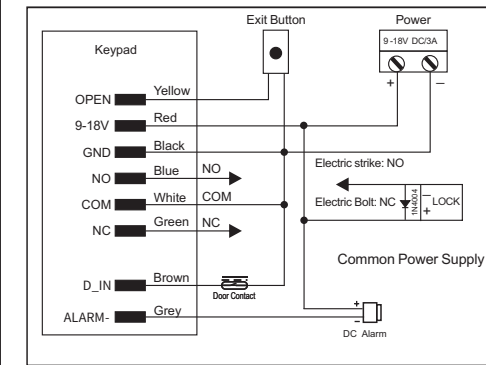


Wiring

Wire Colour	Function	Notes
Yellow	OPEN	Request To Exit Input(Rex)
Red	Power +	9-18V DC Regulated Power Input
Black	GND	Ground
Blue	NO	Normally Open Relay Output
White	COM	Common Connection For Relay Output
Green	NC	Normally Closed Relay Output
Grey	Alarm output	Negative Contact For Alarm
Brown	Contact Input	Door/gate Contact Input (Normally Closed)

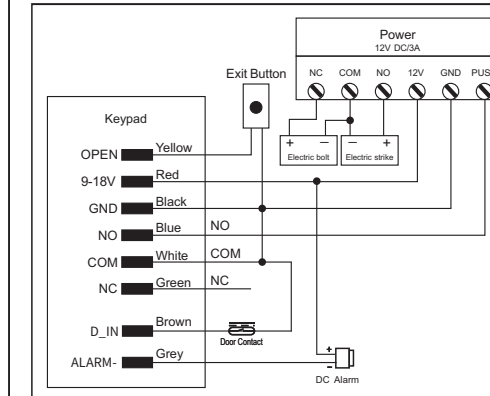
Connection Diagram

Common Power Supply:



Attention: Install a 1N4004 or equivalent diode is needed when use a common power supply, or the keypad might be damaged. (1N4004 is included in the packing)

Access Control Power Supply:



PROGRAMMING

Programming will vary depending on access configuration. Follow the instructions according to your access configuration.

Programming 1 ----- Configure the Keypad

Change the configure settings according to your application (optional). Multiple configuration settings can be changed at one time: enter program mode, change desired settings, then exit program mode.

Set Master Code

The 4-6 digit Master Code is used to prevent unauthorized access to the system. To interface with the Keypad the manager will need a Master Code (factory default code: 123456). We highly recommend immediate update and record of your Master Code.

Easy Keypad- Simplified Instruction

Function Description	Operation
Enter the Programming Mode	* (Master Code) # (123456 is the default factory master code)
Change the Master Code	0 (New Master Code) # (Repeat New Master Code) # (code: 4-6 digits)
Add Card User	1 (Read Card)
Add PIN User	1 (User ID) # (PIN) # The ID number is any number between 0 ~ 989. The PIN is any 4-6 digits between 0000 ~ 999999
Delete User	2 (Read Card) 2 (User ID) #
Exit from the programming mode	*
How to be granted access	
Card User	Read Card
PIN User	Enter (PIN) #

Programming Step	Keystroke Combination
1. Enter Program Mode	* (Master Code) #
2. Update Master Code	0 (New Master Code) # (Repeat New Master Code) #
3. Exit Program Mode	*

Set Access Configuration

- There are 3 types of access configurations for the Keypad
- > **Card or PIN (Default):** The User must present a valid Card to the Keypad or enter their PIN code followed by the # key, in order to be granted access.
 - > **Card Only:** The User must present a valid Card to the Keypad in order to be granted access.
 - > **Card + PIN:** The User must first present a valid Card to the Keypad and then enter their PIN code followed by the # key, in order to be granted access.

Programming Step	Keystroke Combination
1. Enter Program Mode	* (Master Code) #
2. Card or PIN OR 2. Card + PIN OR 2. Card only	3 0 # (factory default) 3 1 # 3 2 #
3. Exit Program Mode	*

Set Relay Configuration

The relay configuration sets the behaviour of the output relay on activation.

Programming Step	Keystroke Combination
1. Enter Program Mode	* (Master Code) #
2. Pulse Mode OR 2. Latch Mode	4 (1-99) # The relay time is 1-99 seconds. (1 is 50mS.) Default is 5 seconds. 4 0 # Sets the relay to ON/OFF Latch mode
3. Exit	*

Set Alarm Time

Please refer the following to set strike-out alarm, tamper alarm and contact alarm time.

Programming Step	Keystroke Combination
1. Enter Program Mode	* (Master Code) #
2. Set alarm timer	5 (0-3) # Factory default is 1 minute
3. Exit	*

Set Strike-out Alarm

The strike-out alarm will engage after 10 failed card/PIN attempts in 10 mins. Default is OFF. The strike-out alarm can be set to deny access for 10 minutes after engaging or it can be set disengage only after entering a valid card/PIN or Master code. (Press exit button can open the door when the keypad in deny access mode)

Programming Step	Keystroke Combination
1. Enter Program Mode	* (Master Code) #
2. Strike-Out OFF OR 2. Strike-Out ON OR 2. Strike-Out ON	6 0 # (factory default) 6 1 # Access will be strike-out for 10 minutes 6 2 # The buzzer alarms.
3. Exit	*

Set Door Open Detection

Programming Step	Keystroke Combination
1. Enter Program Mode	* (Master Code) #
2. Contact Input OFF Contact Input ON	6 3 # (factory default) 6 4 #
3. Exit	*

Programming 2 ----- Program Cards and PINS

Programming will vary depending on the access configuration. Follow the instructions according to your access configuration.

GENERAL PROGRAMMING INFORMATION

- > **User ID Number:** Assign a user ID number to the access code in order to keep track of the users of access cards or PINs. The normal user ID can be any number from 0-989, and the 10 groups of visitor is from 990-999. IMPORTANT: User IDs do not have to be proceeded with any leading zeros. Recording of User ID is critical. Modifications to user data require either the card or the User ID be available.
- > **Proximity Card:** 125 KHz EM Card/13.56MHz Mifare Card.
- > **Keypad PIN:** The PIN can be any 4-6 digits between 0000-999999 (except 1234 which is reserved).

ACCESS CONFIGURATION: CARD OR PIN & CARD ONLY -----

Add User Cards

Programming Step	Keystroke Combination
1. Enter Program Mode	* (Master Code) #
2. Add Card: Using Auto ID (Allows Keypad to assign Card to next available User ID number) OR 2. Add Card: Select Specific ID (Allows manager to define a specific User ID to associate the card to)	1 (Read Card) Cards can be added continuously. 1 (User ID) # (Read Card) The user ID is any number from 0-989.
3. Exit Program Mode	*

Delete User Cards

Programming Step	Keystroke Combination
1. Enter Program Mode	* (Master Code) #
2. Delete Card: By card OR 2. Delete Card: Select Specific ID	2 (Read Card) Cards can be deleted continuously. 2 (User ID) # The user ID is any number from 0-989.
3. Exit	*

Add or Delete a PIN

Programming Step	Keystroke Combination
1. Enter Program Mode	* (Master Code) #
2. Add a PIN Assigns PIN to user ID number OR 2. Delete a PIN Deletes the User ID number and associated PIN	1 (User ID) # (PIN) # PINs can be added continuously. 2 (User ID) # PINs can be deleted continuously.
3. Exit	*

Change a PIN

This operation is executed from outside of Program Mode.

Programming Step	Keystroke Combination
1. Change a PIN	* (User ID) # (Old PIN) # (New PIN) # (New PIN) #

ACCESS CONFIGURATION: CARD+PIN-----

Add a Card+ PIN User

Programming Step	Keystroke Combination
1. Enter Program Mode	* (Master Code) #
2. Add a User Card by ID number	1 (User ID) # (Read Card)
3. Exit Program Mode	*
4. Add PIN	* (Read Card) (1234) # (New PIN) # (New PIN) # This operation is executed from outside of Program Mode

Change PIN

Allows card user to update the PIN for their card + PIN User ID. This operation is executed from outside of Program Mode.

Programming Step	Keystroke Combination
1. Change PIN using a Card	* (Read Card) (Old PIN) # (New PIN) # (New PIN) #
OR	
1. Change PIN using ID	* (User ID) # (Old PIN) # (New PIN) # (New PIN) #

Delete User by User ID

Deleting by ID number will clear cards and PINS

Programming Step	Keystroke Combination
1. Enter Program Mode	* (Master Code) #
2. Delete User by User ID	2 (User ID) #
3. Exit Program Mode	*

Visitor User Setting

There are 10 groups Visitor PIN/card available, the users can be specified up to 10 times of usage, after a certain number of times, i.e. 5 times, the PIN/card become invalid automatically.

Programming Step	Keystroke Combination
1. Enter Program Mode	* (Master Code) #
2. Add Visitor PIN User	8 (0-9 #) (User ID #) (PIN #) PIN is any 4-6 digits number except 1234
OR	
2. Add Visitor Card User	8 (0-9 #) (User ID #) (Read Card #)
2. Delete Visitor Users	2 (User ID #)
3. Exit Program Mode	*

Note:

Number of time is 0-9, 0=10 times
User ID number must be any number between 990-999
Visitor PIN/card must be unique, should be distinguished from common PIN and card

OTHERS

Reset to Factory Default:

1. Power off
2. Press the * button, hold it and power on
3. There will be two beeps, release the button, then will have one beep
The Keypad reset to factory default successfully.

Remark: Reset to factory default, the user's information is still retained.

Erase all Users

This will delete ALL User data.

1. Enter Program Mode by press: * (Master Code) #.
2. Press 20000 #
3. Exit: *

All configuration data is retained.

Reset Strike-Out Alarm

Enter Master Code or Valid Card/PIN to silence

Sound and Light Indication

Operation Status	Red LED	Green LED	Sounds
Power on	Bright		Short Single Beep
Stand by	Bright		
Press Keypad	Flashing		Short Single Beep
Enter Master Code Entry Mode	ON		Short Single Beep
In program mode	ON	Single Flash	Short Single Beep
Entered Program Step Successfully	ON	Single Flash	Short Single Beep
Entered Program Step Incorrectly			Short Single Beep
Exit from the programming mode	Bright		3 Short Beeps
Entry Granted		ON	Short Single Beep
Open lock	Green light bright		One beep
Alarm Mode Engaged	Flashing		Alarm
Alarm	Red light Shines quickly		Beeps
Pressing * Toggles Standby / Master Code Entry	ON/Flashing		Short Single Beep