

Installation Instruction Domino Garage Door Keypad

www.dominoengineering.com

How to Code Keypad:

- Step 1. Slide switch to "program" (Switch is located on control box)
- Step 2. On keypad, press ENTER . . . then press YOUR CODE (up to six digits) . . . then press ENTER again.
- Step 3. Slide switch back to "operate"

How to Use Keypad: Press "YOUR CODE" . . . Press ENTER.

How to Erase old code: Simply set new code. The new code replaces old code.

If old code still seems to be working:

Enter your new code, **WAIT 20 seconds**. Now try your old code. It will not work. There is a 20 second time period built into the keypad after the correct code has been pressed where any number (including your old code) and the ENTER button can activate the opener. This feature is useful when you need to quickly stop or reverse the door. Simply press the ENTER button.

How to Check Battery Life: (normal battery life is 3-5 years)

- a) push button on control box activates door; or
 - b) red indicator light on keypad lights up when pressing any number, then batteries do not need checking or replacing.
- If (a) and (b) do not work and you know batteries are good, make sure the batteries are firmly placed in the battery holder and they are oriented (+ -) correctly.

Nature of Operation: The Domino Garage Door Keypad is an electronic lock that can be used to activate any garage door opener. Pressing your personal code (1 - 6 digits) and the "enter key" allows you to open, stop, or close your overhead door in the same manner as pressing your wall push button.

The Domino System consists of two parts: a permanently outside mounted keypad with a telephone type cable connecting to a **control box**, which is located inside the garage. The control box powers the keypad with 3 "AA" alkaline batteries (included), and sends the open, close, or stop signal to the garage door opener through two low voltage connecting wires (not included). (fig. 2)

Installation

1. **Outside:** Choose a convenient location to mount the keypad. (fig. 1) Drill a 1/2" hole from outside to inside the garage. Carefully, feed cable from keypad to inside of garage. Screw keypad to outside surface with 2 screws (included). Do not over tighten. The keypad is meant to "stand off" the surface so moisture can run behind the keypad.

2. **Inside:** Disconnect power to garage door opener. Using two low voltage (18-24 gauge) wires, connect the control box to push button terminals on opener. (fig. 2)
(OPTIONAL: If there is a nearby garage opener wall push button, you can connect the control box to the terminals of this wall push button.) Strip 1/4" insulation from connecting wires,

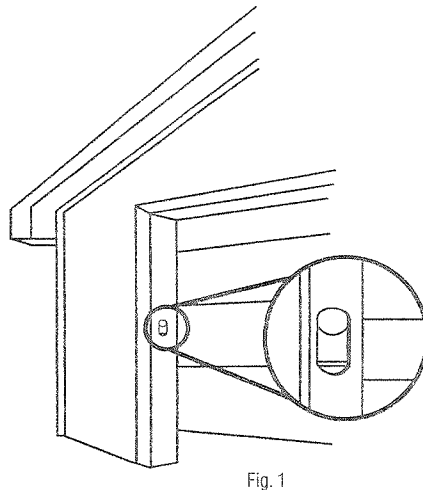


Fig. 1

insert and screw wires into the two terminals marked "OPENER" in control box. Insert 3 "AA" batteries (included), observing polarity.

3. Snap keypad cable plug, with locking tab on bottom, into receptacle marked "KEYPAD" in control box. Place styrofoam piece over batteries. **Mount control box away from garage opener rail and out of reach of small children. Cable extensions are available.** Two screws are included. Reconnect power to garage door opener.

4. Code keypad.

Convenience Features

Lockout. When operating and a wrong number is pressed, simply re-enter "your code" and press "ENTER". After 5 incorrect codes the Domino will not respond to any code during a 1 minute lockout delay.

Night-time use. Pressing any key will illuminate the keypad. The keypad will stay illuminated for 20 seconds after the last digit is pressed.

Extra Push button. Also provided for convenient operation is an additional push button, located next to the program switch on the control box. You can use this button just as you would use any other wall push button. **Do not attempt to reach around and push this control box button when standing outside the garage door.**

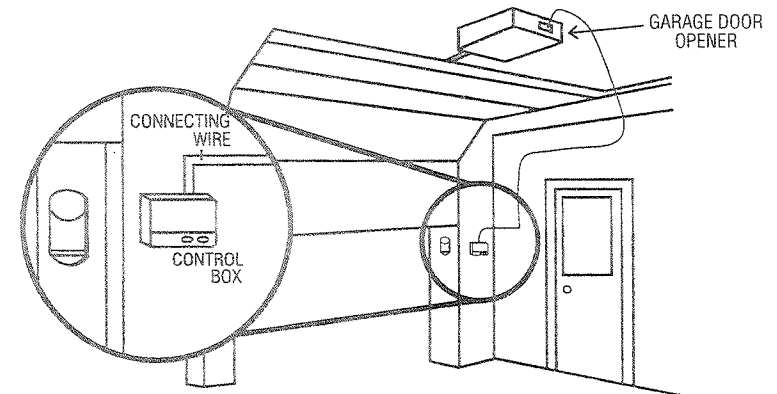


Fig. 2

Common Questions, Comments, & Answers

Can I remove the lid or get a replacement lid?

Yes, the hinged lid may be removed by gently prying out and lifting up slightly on one hinge. Contact factory for replacement lid.

Not all numbers light up when pressed.

Remove back plate of Keypad, lift out circuit board and rubber keypad. Clean black contacts on back side of rubber keypad as well as the gold grids on circuit board (with rubbing alcohol). Reassemble.

Warranty

Domino Engineering Corporation will repair or replace at its discretion, any Domino Garage Door Keypad failing to operate properly for any reason, (except vandalism and abusive use) within a period of 12 month from date of purchase. Send failed unit and \$5.00 (P & H) to: Domino Engineering. A new or repaired unit will be shipped.

Extended Warranty

Domino Engineering Corporation will repair or replace at its discretion, any Domino Garage Door Keypad failing to operate properly for any reason, (except vandalism and abusive use) within a period of 5 years from date of purchase. Send failed unit and \$25.00, plus \$5.00 shipping & handling, to: Domino Engineering Corp., 208 S. Spresser St., P.O. Box 376, Taylorville, IL 62568-0376. 1-800 7-DOMINO. A new or repaired unit will be shipped.