

# **1 BUTTON CARETAKER CALLING Kit WITH KEYSAFE & PROXIMITY READER**



## **GENERAL POINTS**

The 1 button caretaker calling kit with keysafe & proximity reader is a system which calls a telephone using the push button of the panel. The keysafe is opened by dialing the 4 digits phone code programmed on the website. You can also open the keysafe with a key fob.

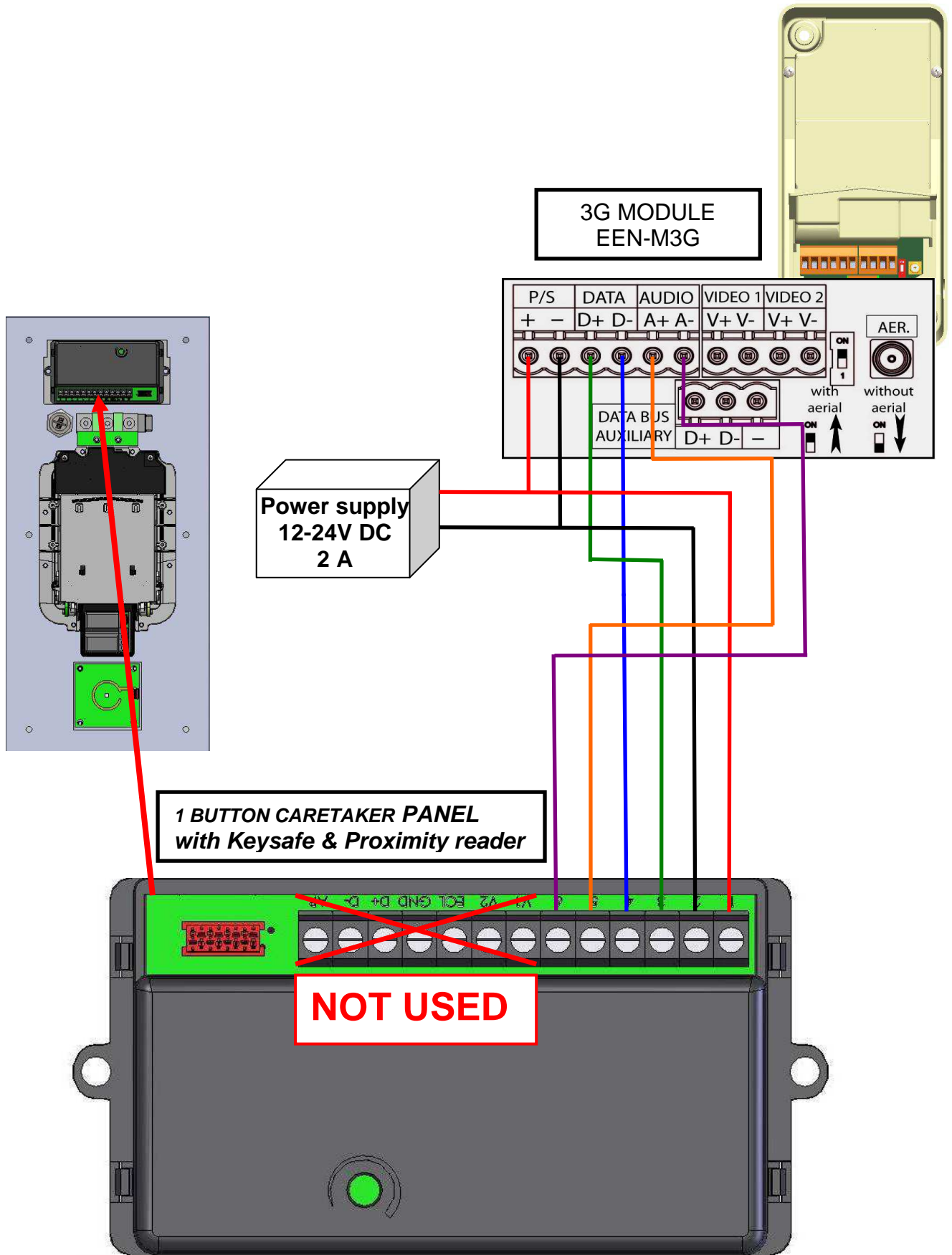
The intercom calls the landlord thanks to a 3G Module connected to the 3G/GSM network. The phone number of the landlord is set up using the following website:

**[www.intratone.com](http://www.intratone.com)** (in the "management website" tab).

To open the key safe:

- A visitor press the push button to call the landlord. The keysafe is opened by dialing the 4 digits phone code
- By using an authorised master key fob on the proximity reader.

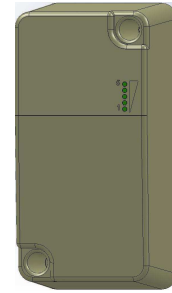
# CABLING



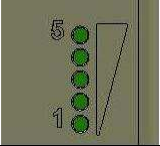
# POST-FITTING CHECK

## A) ON THE 3G MODULE EEN-M3G-D

You can check the 3G/GSM Network on the 3G module:



### Meaning of the LEDs

	Behaviour	Explanation
①②③④⑤	LED ON from 1 to 5	Test LEDs functionality
○ ○ ○ ○ ✱	LED No 5 flash	Search the network
✱ ✱ ✱ ✱ ○	4 first LEDs ON	In this example reception level : 4 / 5
○ ✱ ✱ ✱ ○	The 3 middle LEDs are ON <b>from time to time.</b>	Indicate the only the GSM network has been found

#### Note :

- If the 3G network is available then LEDs are ON permanently.
- If the 3G network is not available then the network downgrade to GSM.
- The LEDs behave has indicated in the section ○ ✱ ✱ ✱ ○.
- If the 3G module is tune to the GSM network, it will try to reconnect itself to the 3G network frequently.

## B) ON THE PANEL (ONLY YOU HAVE ALREADY UPDATED FROM WEBSITE)

- Launch a call with a push button to check the quality of the audio communication.
- Open the key safe during a call with the 4 digits code (compulsory) programmed on the website.
- Open the key safe with the masterkey programmed on the website.

**You must leave the key fob on the reader during 5 sec to open the key safe**