

INSTALLATION AND CONNECTION OF EEN-TAF NOTICE BOARD



GENERAL POINTS

The digital Notice Board is an electronic device which can replace paper-based publication of information in apartment-building entrance halls.

Three models are available:

- Two models for interior installation:
 - o A built-in model which can be fitted within a utility column or a wall-fitting.
 - o Flush-mount model.
- A surface-mounted model for exterior installation with a built-in temperature control and connection behind the back-box.

A) A 3G MODULE – A NOTICE BOARD

This panel must be connected to a 3G module (with a specific communication channel dedicated to it). You can, nevertheless, connect it to a "Real-time" central unit from the range.

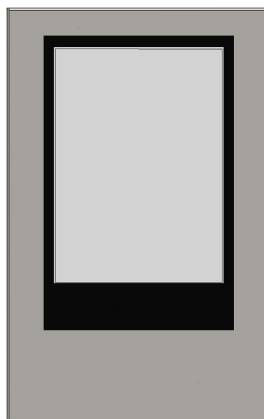
Please note:

A single panel per 3G Module.

B) PANEL CONFIGURATION

It is mainly configured using the following website: www.intratone.com in the "management website" tab. Nonetheless, some settings can be changed directly on the Panel using switches on the panel's electronic board:

- Contrast settings.
- Resetting the Panel.

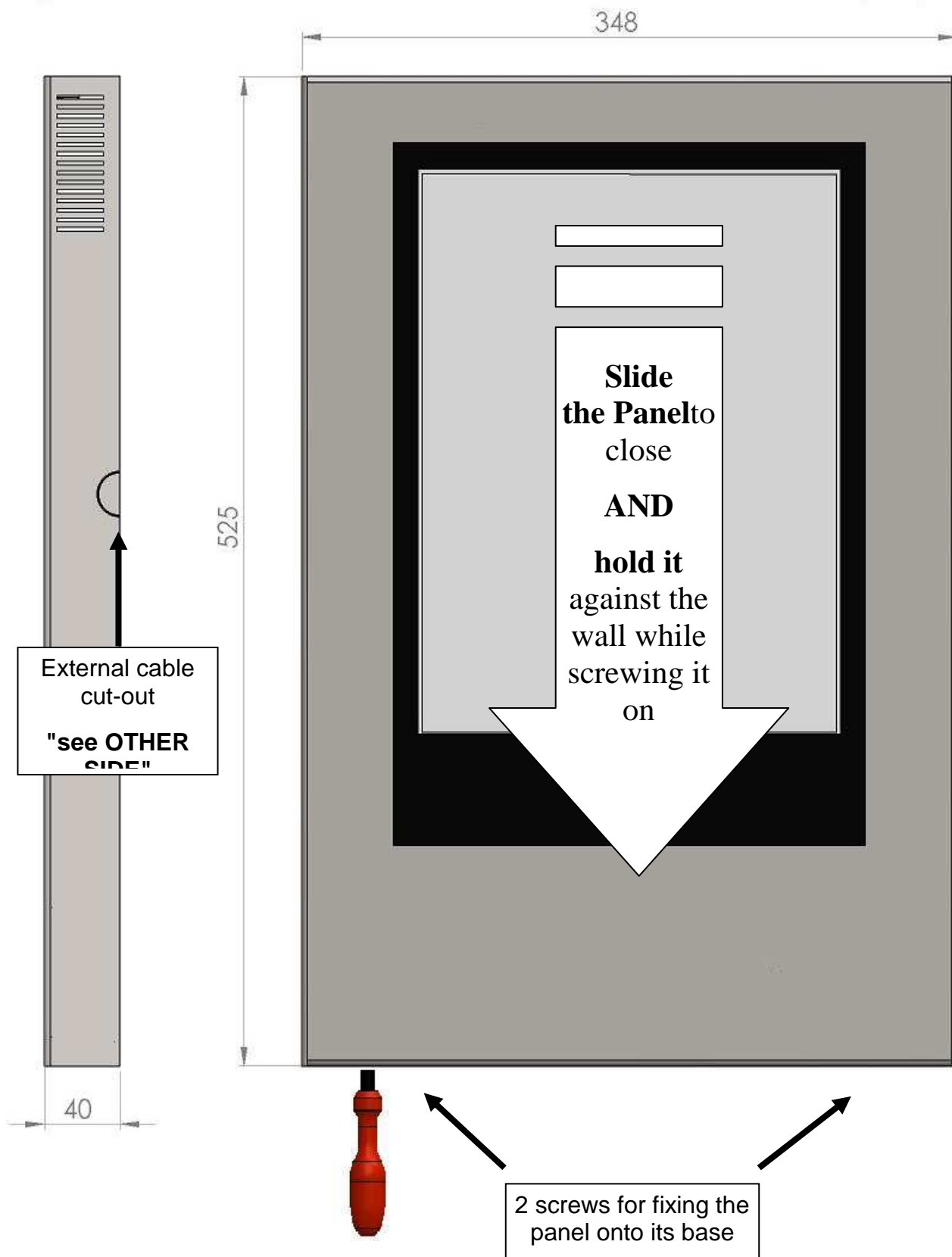


CONTENTS

GENERAL POINTS -----	1
A) A 3G MODULE – A NOTICE BOARD -----	1
B) PANEL CONFIGURATION -----	1
CONTENTS -----	2
DIMENSIONS AND ASSEMBLY OF THE PANEL -3	
A) "SURFACE-MOUNTED – INTERIOR VERSION" : DIMENSIONS AND FITTING --	3
B) «SURFACE-MOUNTED – INTERIOR VERSION» : REMOVAL OF CABLE CUT-OUT	4
C) "SURFACE-MOUNTED – INTERIOR VERSION": DIMENSIONS -----	5
D) "SURFACE-MOUNTED – EXTERIOR VERSION" : DIMENSIONS-----	6
E) "SURFACE-MOUNTED – EXTERIOR VERSION": DIMENSIONS OF BRACKET-----	7
F) "FLUSH-MOUNTED – INTERIOR VERSION" : CUT-OUT FOR THE WALL PLATE ---	8
G) "FLUSH-MOUNTED – INTERIOR VERSION": DIMENSIONS-----	9
H) "FLUSH-MOUNTED – INTERIOR VERSION" : FITTING THE WALL PLATE -----	10
WIRING -----	11
A) GENERAL POINTS-----	11
B) DIFFERENT MODELS-----	11
C) A SINGLE POWER SUPPLY -----	11
D) DUAL POWER SUPPLIES -----	12
EQUIPMENT CONFIGURATION-----	12
A) ON-SITE CONFIGURATION OF CONTRAST: SWITCH No.6 -----	12
B) RESETTING THE PANEL -----	13
C) CONFIGURATION USING THE FOLLOWING WEBSITE: WWW.INTRATONE.COM IN THE "MANAGEMENT WEBSITE" TAB.-----	13
POST-INSTALLATION CHECK -----	13
TROUBLESHOOTING -----	13
CERTIFICATE OF CONFORMITY-----	14

DIMENSIONS AND ASSEMBLY OF THE PANEL

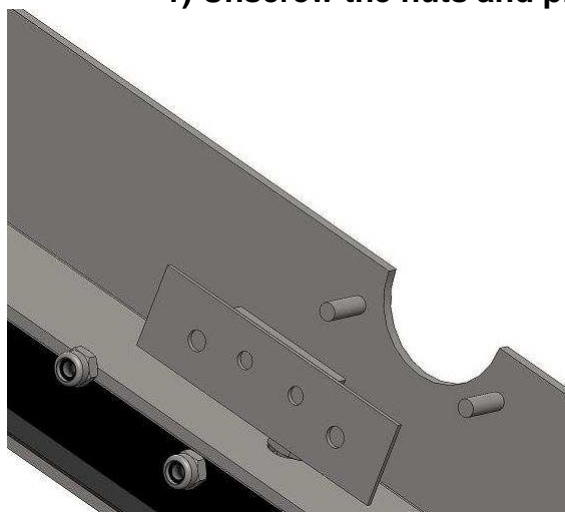
A) "SURFACE-MOUNTED – INTERIOR VERSION" : DIMENSIONS AND FITTING



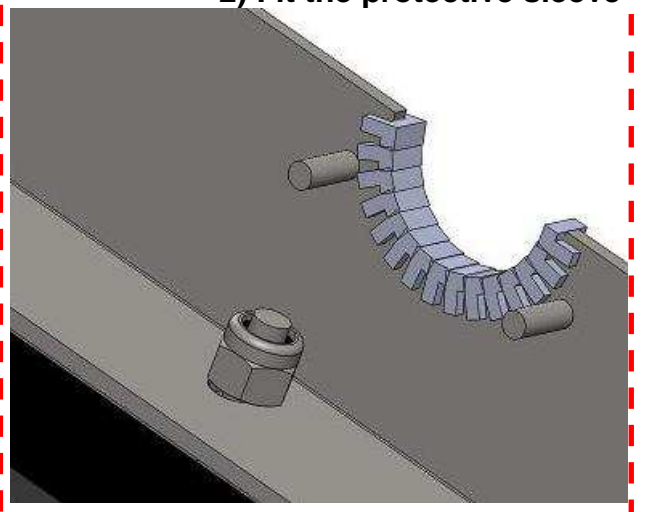
B) «SURFACE-MOUNTED – INTERIOR VERSION» : REMOVAL OF CABLE CUT-OUTS



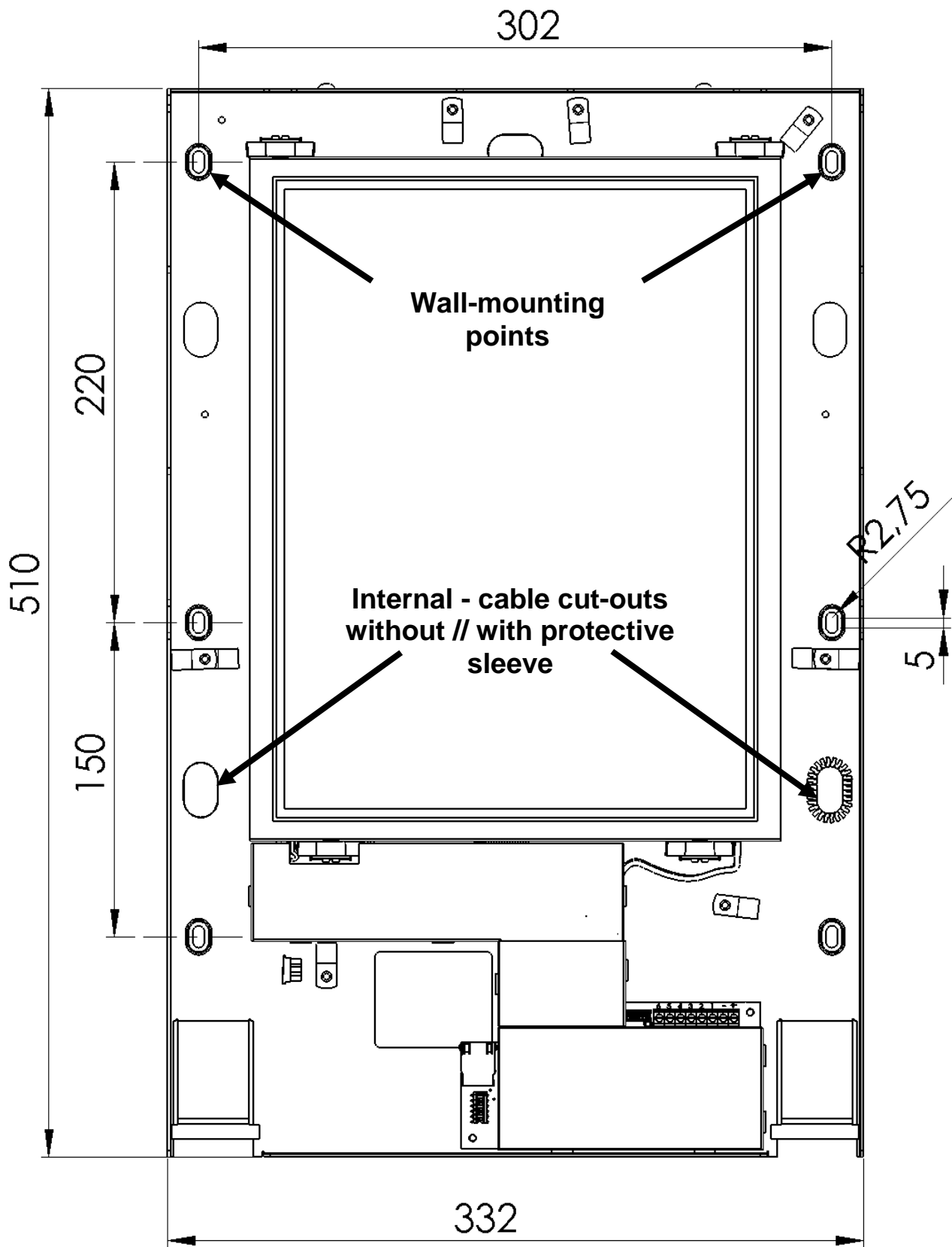
1) Unscrew the nuts and plate



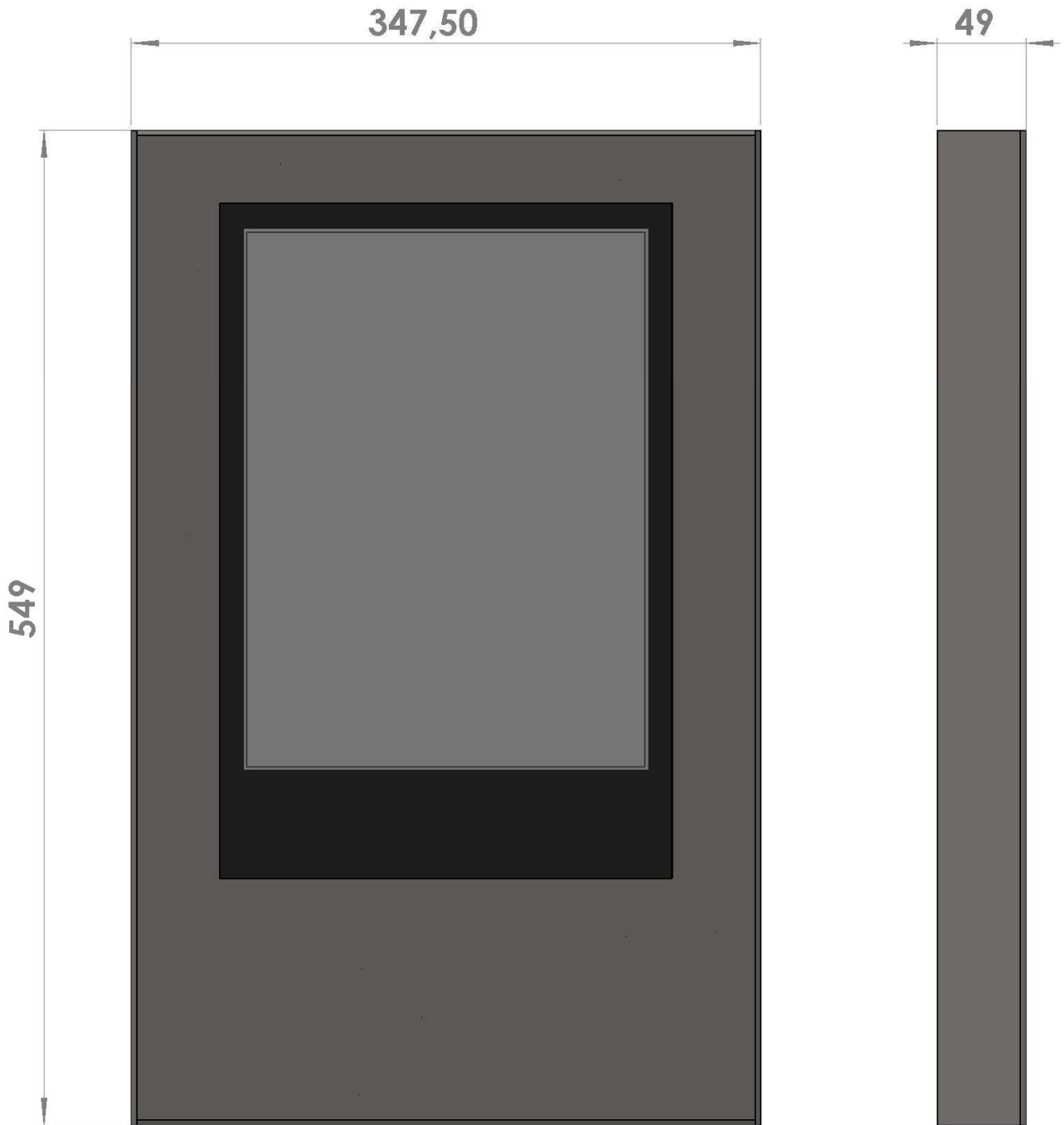
2) Fit the protective sleeve



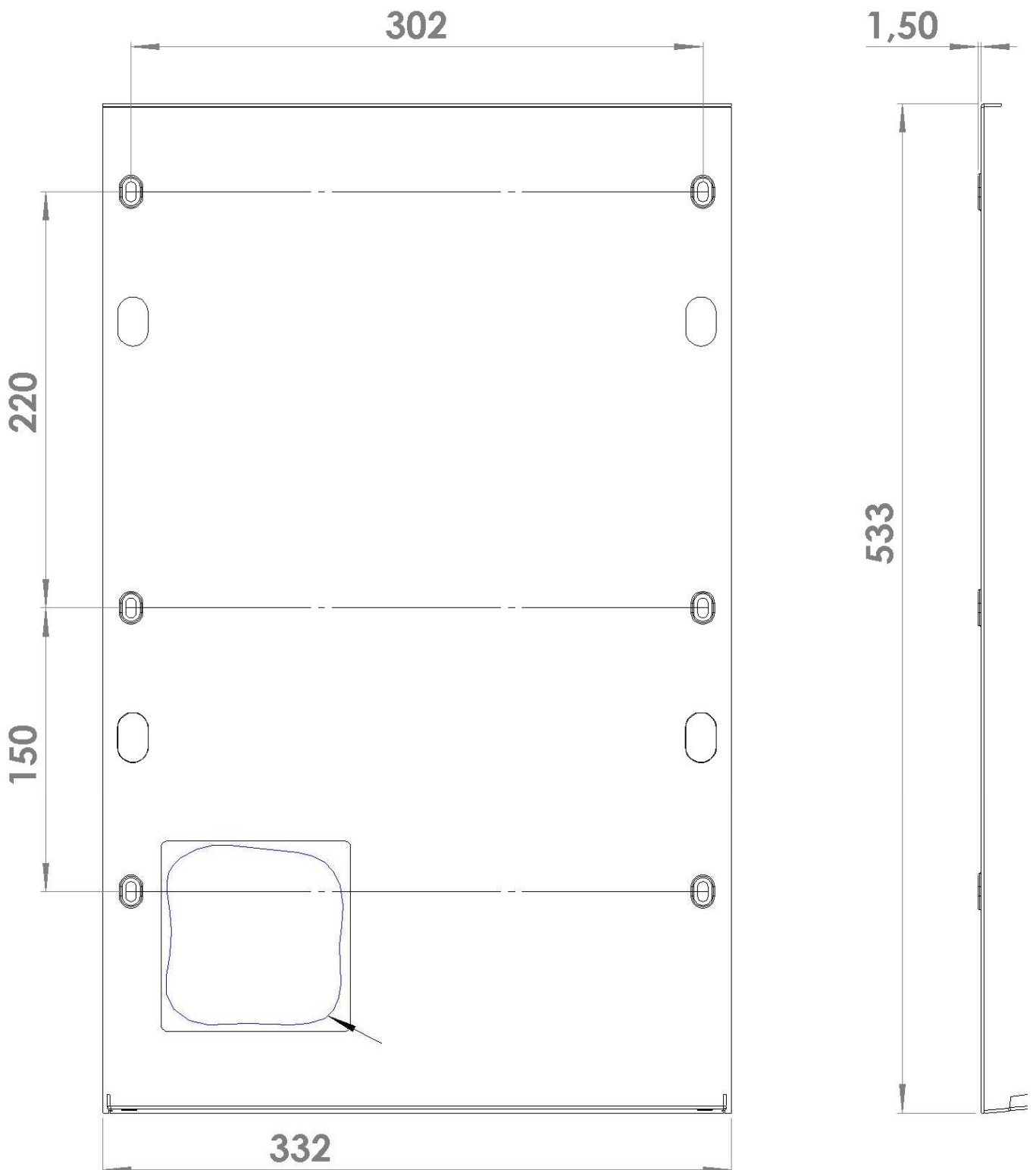
C) "SURFACE-MOUNTED – INTERIOR VERSION": DIMENSIONS



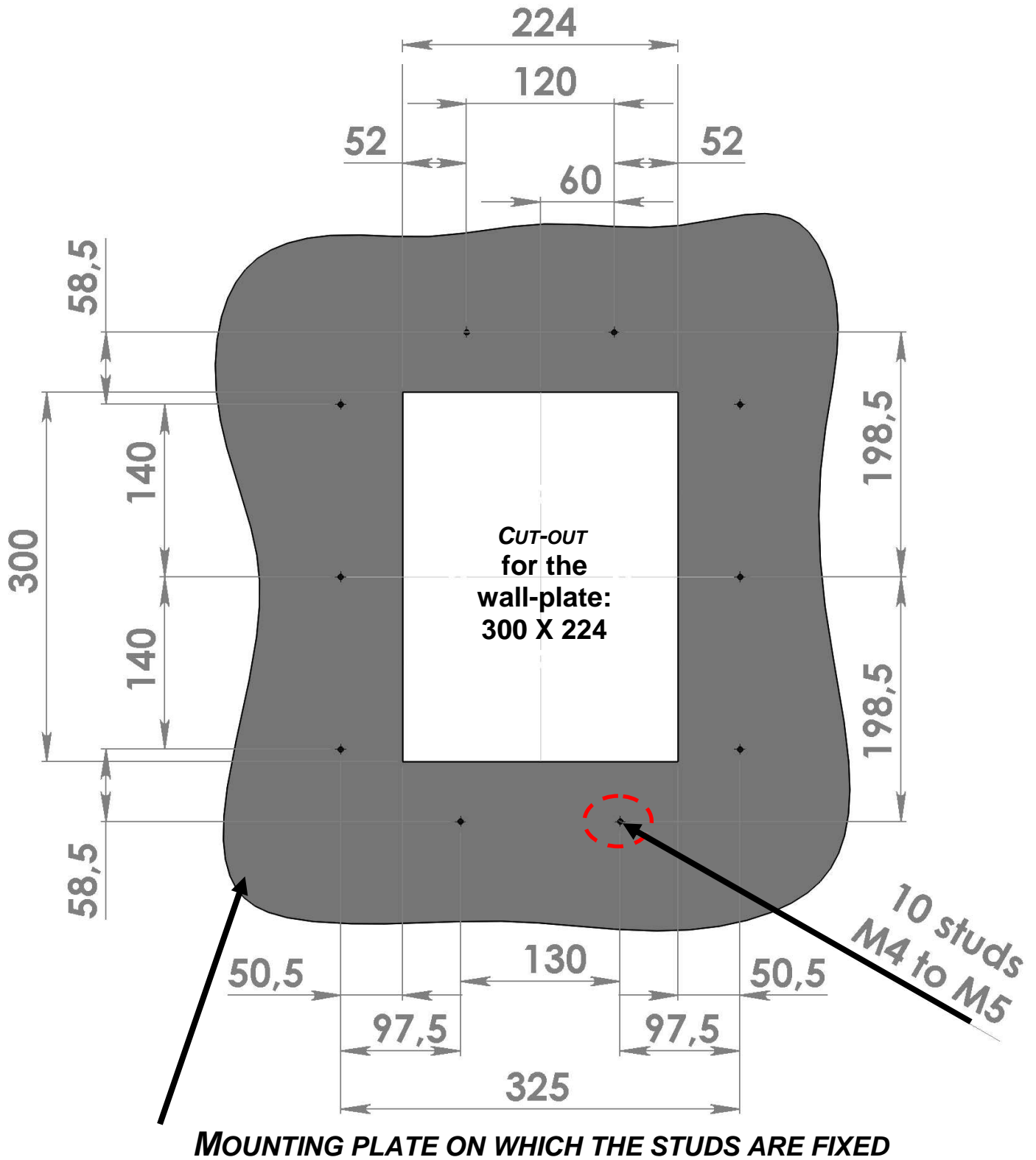
D) "SURFACE-MOUNTED – EXTERIOR VERSION" : DIMENSIONS



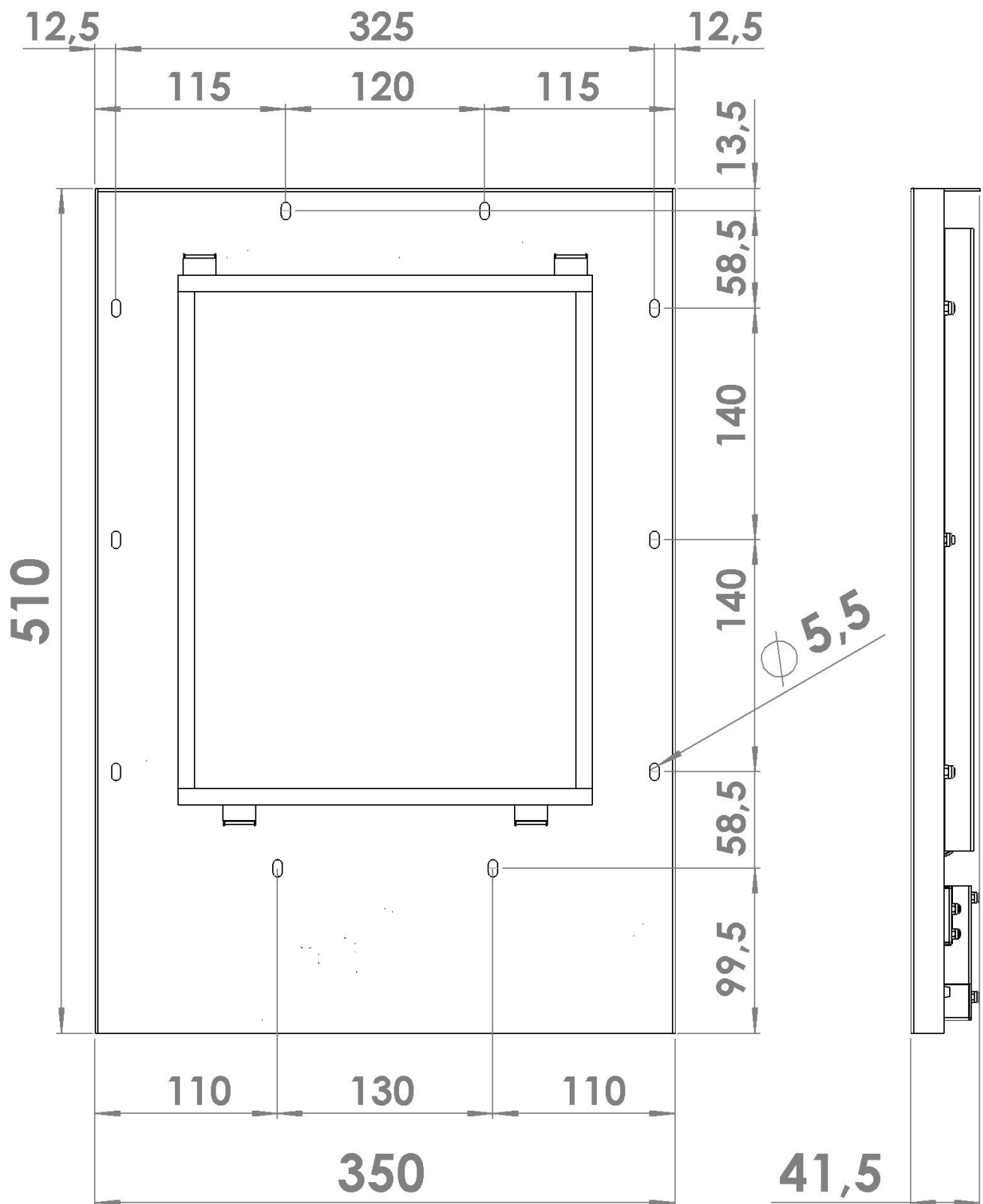
E) "SURFACE-MOUNTED – EXTERIOR VERSION": DIMENSIONS OF BRACKET



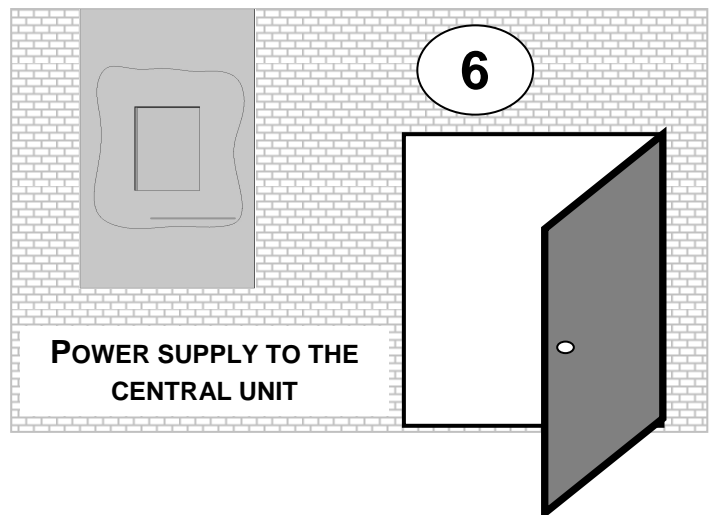
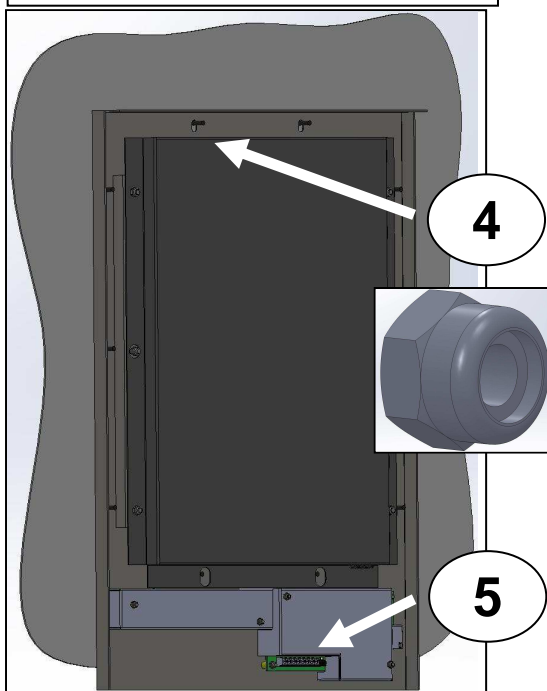
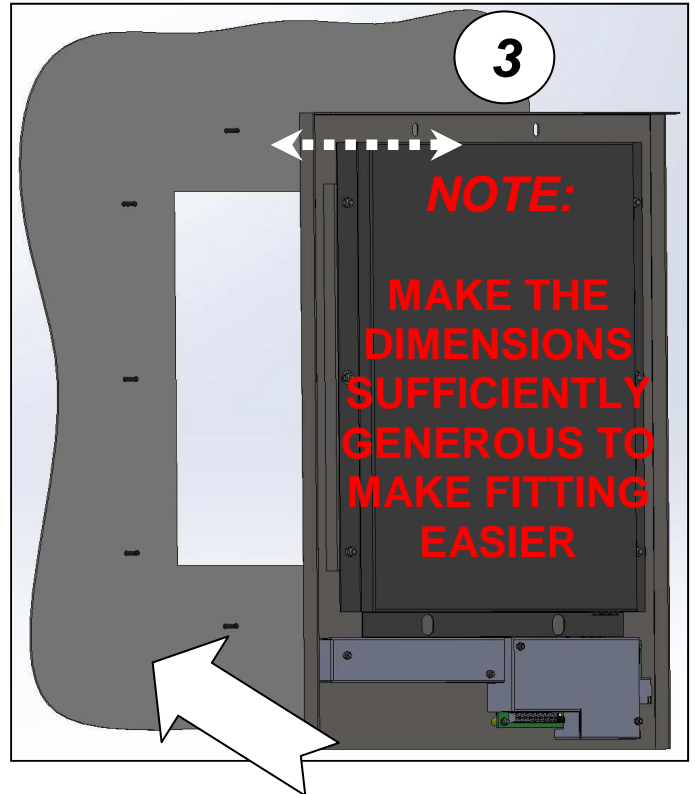
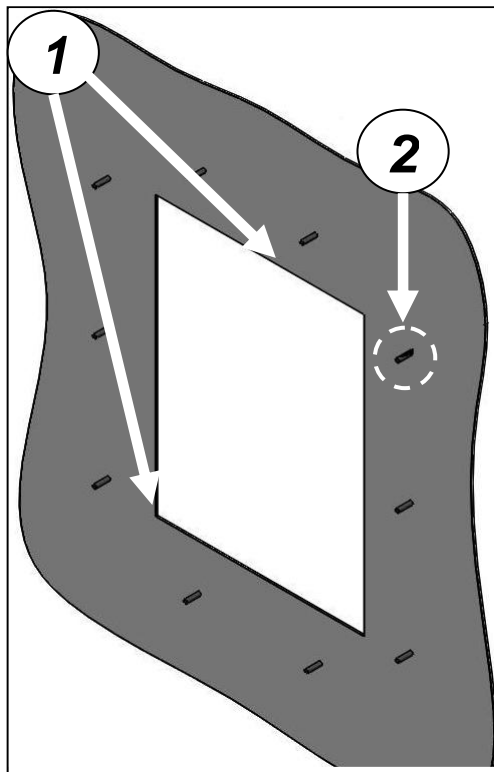
F) "FLUSH-MOUNTED – INTERIOR VERSION" : CUT-OUT FOR THE WALL PLATE



G) "FLUSH-MOUNTED – INTERIOR VERSION": DIMENSIONS



H) "FLUSH-MOUNTED – INTERIOR VERSION" : FITTING THE WALL PLATE



- ① Make the cut-out
- ② Fit the 10 studs onto the mounting plate on the utility column.
- ③ Insert the panel onto the studs and hold it against the column
- ④ Screw the 10 nuts onto the studs
- ⑤ Wire up the equipment
- ⑥ Final view on the utility column

WIRING

A) GENERAL POINTS

Power supply : **24V – 2A** (interior versions) or **3A (exterior version)**

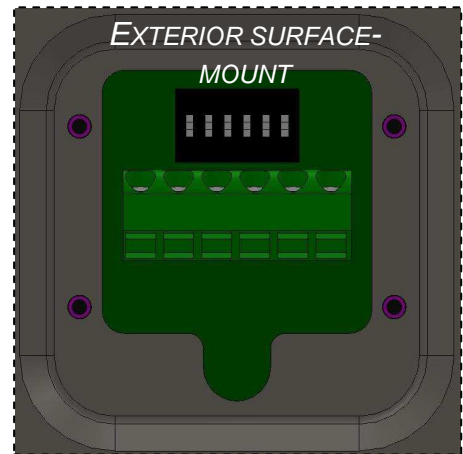
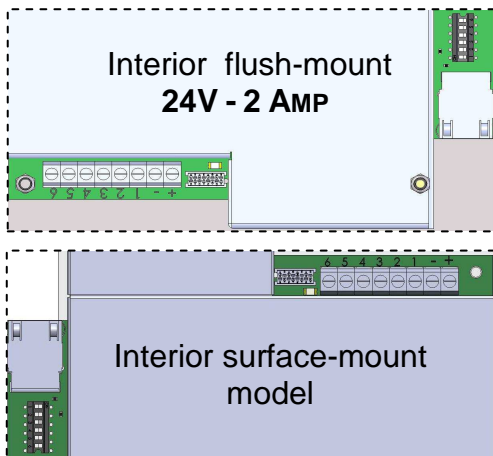
Twisted-pair wiring

Diameter: **0.8** – Max. length: **100m**

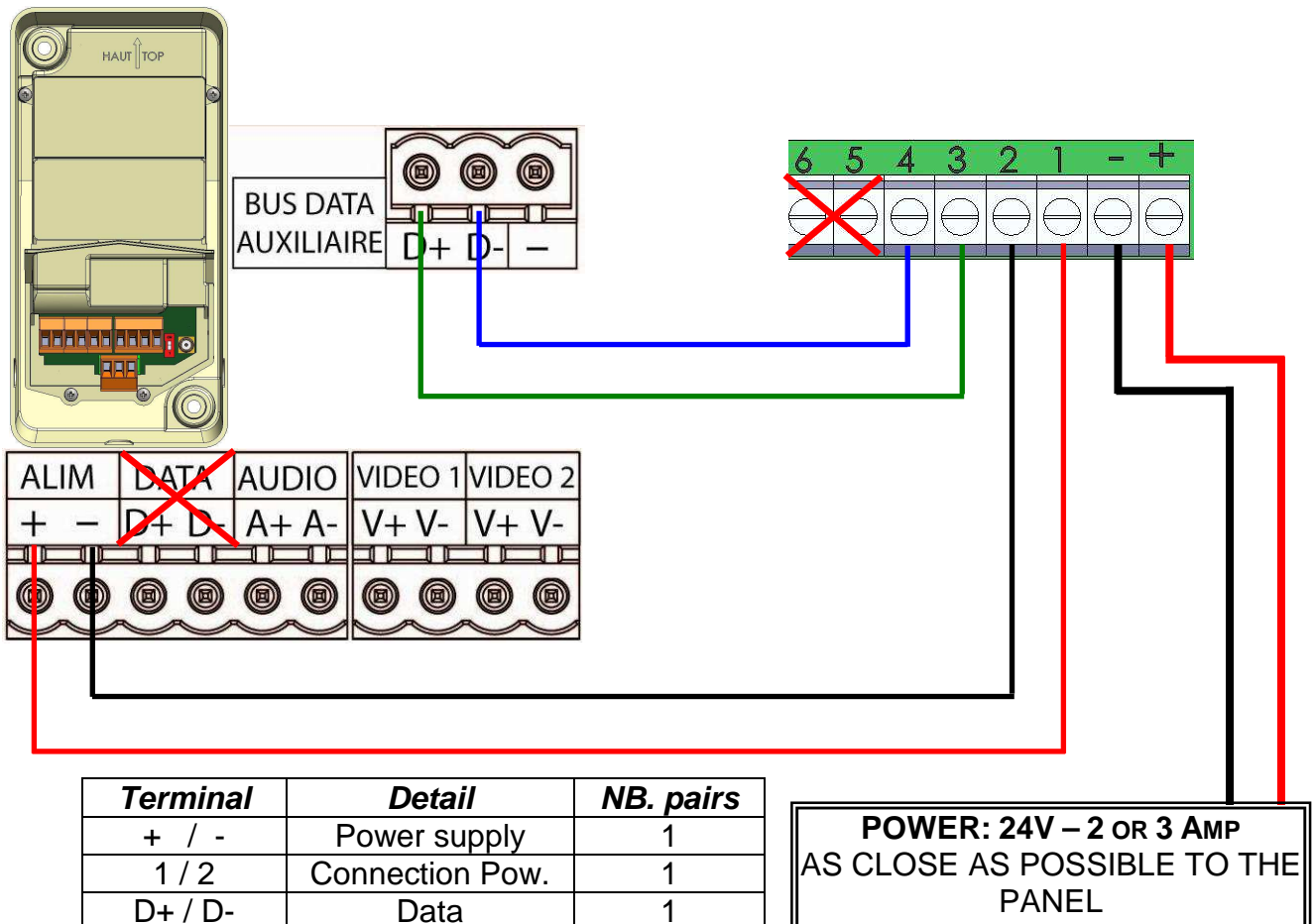


Panel connections with a 3G Module: Always use the " Auxiliary data bus "

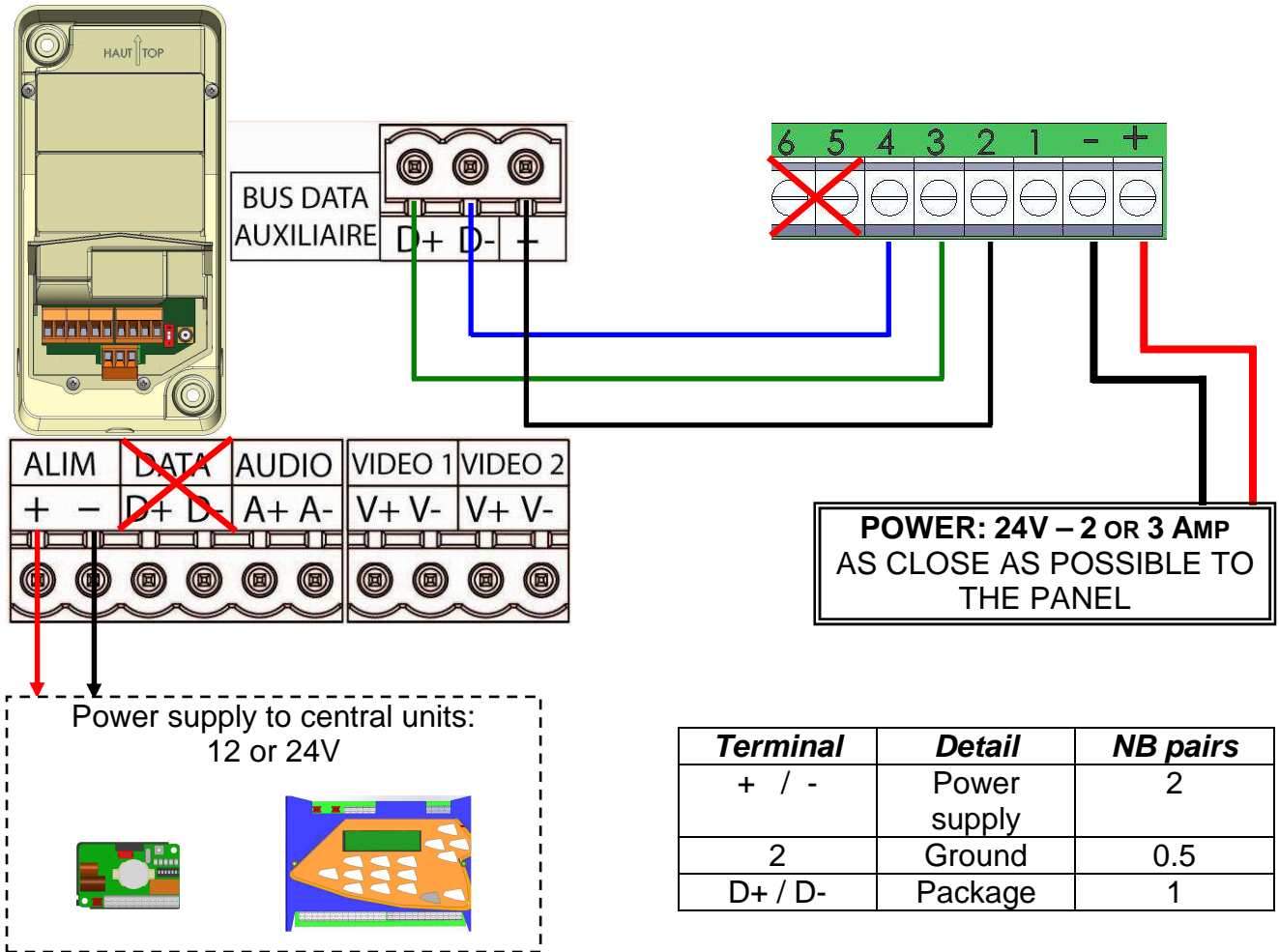
B) DIFFERENT MODELS



C) A SINGLE POWER SUPPLY



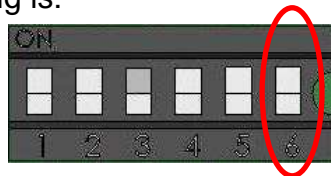
D) DUAL POWER SUPPLIES



EQUIPMENT CONFIGURATION

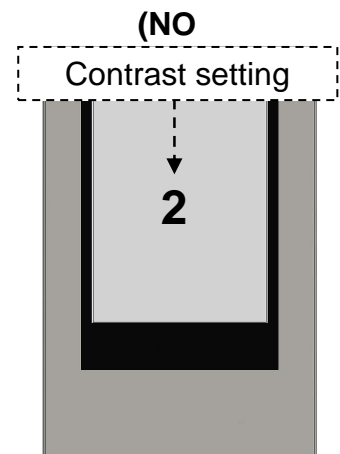
A) ON-SITE CONFIGURATION OF CONTRAST: SWITCH No.6

Adjustment of the panel's contrast is by means of switch no.6.
There are 4 different levels of contrast.
The factory setting is:



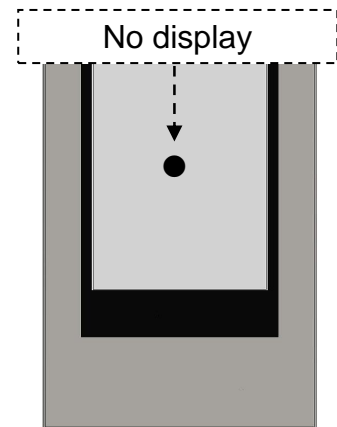
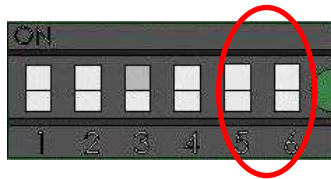
How to proceed:

1. Turn switch **no.6 to ON**
2. You will see a number between 1 and 4 displayed indicating the contrast setting.
3. **Select the** required contrast setting.
4. Turn switch **no.6 to OFF**.
5. This saves the contrast setting.



B) RESETTING THE PANEL

Resetting the panel returns it to the factory settings.
This is done by means of switches no.5 and 6:
"Follow the instructions displayed on the panel"



How to proceed:

1. Turn switch **no.5 to ON then no.6 to ON**
2. The panel displays a message: "Follow the instructions".
3. **Switch** the panel on and off.
4. **Wait** for the panel to be fully switched on
5. Turn switch **no.5 and 6 to OFF.**
6. The panel is reset to its factory settings.

C) CONFIGURATION USING THE FOLLOWING WEBSITE: WWW.INTRATONE.COM IN THE "MANAGEMENT WEBSITE" TAB.

The Notice Board must be configured beforehand on the following website:
www.intratone.com in the "management website" tab before use.

If you have a fleet contract, you will need to declare this equipment using your Intratone contract number and the telephone number of the 3G Module connected.

POST-INSTALLATION CHECK

Before leaving the installation, the following points should be checked:

- Are you sure the power supply is 24V?
- Is the contrast correct?
- Check that the power supply is of the correct amperage

TROUBLESHOOTING

<i>What is the fault?</i>	<i>What is causing the fault?</i>	<i>How to fix the fault?</i>
The panel does not turn on	- Power is not 24V - + / - wiring	- See Power recommendation - Check + / - wiring
Even after update: "No display"	- Switch positions - D+ / D- wiring	- Switch 1 to 4 to ON - Check D+ / D- wiring

CERTIFICATE OF CONFORMITY