

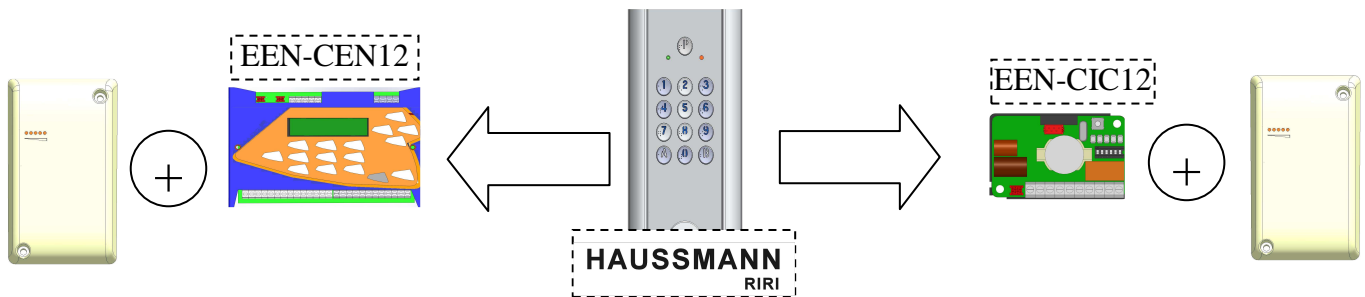
The HAUSSMANN RIRI keypad

YOUR HAUSSMANN RIRI KEYPAD IS EVOLVING

Until now, you could only use the keypad itself, but now it is possible to connect other equipment to it enabling you to control keypad codes remotely in real time.

- Real-time use facilitates keypad code updates without going on-site. It is also possible to take advantage of options such as event logs, alarms, timeslots for all codes, etc.
- Use of the stand-alone keypad remains unchanged.

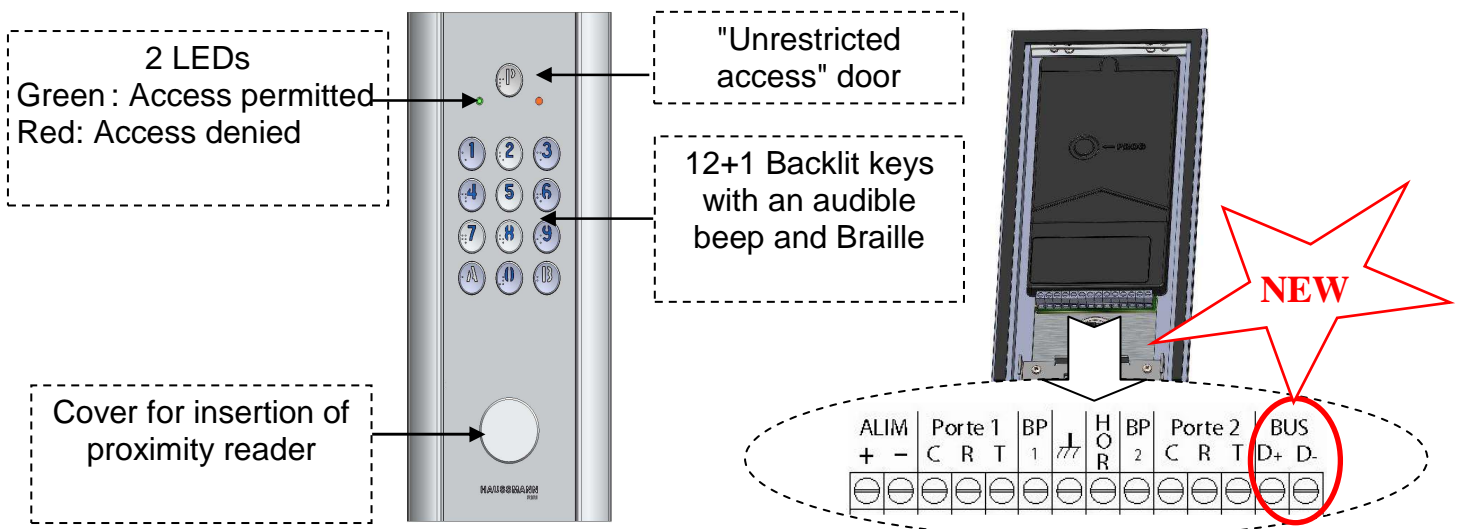
A GSM unit and 2 central units now complete the product-offering compatible with the Haussmann keypad:



Your Haussmann Riri coded keypad was designed to be adaptable to everyone's needs: being simple to use on a daily basis, this is the only coded keypad which complies fully with disability legislation. Thanks to real-time operation, you can now manage it remotely from the www.intratone.com website in the "management website" tab.

Everything is arranged to help you save time on fitting: it adapts to fit all facades (built-in and surface-mounting) and all existing built-in boxes.

Your keypad has also been designed to reduce electricity consumption to a minimum; it enables you to save up to 1kW/p.a. per apartment block.



CONTENTS

YOUR HAUSSMANN RIRI KEYPAD IS EVOLVING	1
CONTENTS	2
GENERAL POINTS.....	2
REAL-TIME OPERATION.....	2
ALERT AND UNRESTRICTED ACCESS IN REAL-TIME.....	5
ENTERING PROGRAMMING MODE.....	6
STAND-ALONE KEYPAD OPERATION	7
CONNECTION TO A DOOR.....	9
DIMENSIONS.....	10
SURFACE-MOUNT INSTALLATION	11
BUILT-IN INSTALLATION.....	11
FITTING RECORD FORM FOR A STAND-ALONE KEYPAD	13

GENERAL POINTS



Power supply:

STAND-ALONE KEYPAD	WITH A CENTRAL UNIT - IN REAL TIME
12V / 24V AC or DC 150 mA	12V / 24V DC only 2A up to 2 doors 3A with 3 or 4 doors

Time settings:

STAND-ALONE KEYPAD	WITH A CENTRAL UNIT - IN REAL TIME
0.2 seconds or 1 to 99 seconds, by programming in 1 sec. increments	0.2 seconds or 1 to 99 seconds, configurable on the central unit

Unrestricted access:

STAND-ALONE KEYPAD	WITH A CENTRAL UNIT - IN REAL TIME
When the connection between an external clock (not supplied) is made between the "Hor" ("Clock") terminal and ground: the door opens on pressing the button  <i>(if no codes for timeslots predefined).</i>	Configuration on the www.intratone.com website in the "management website" tab: the door opens on pressing the button 


Standards:



IP (IP65) standard; EC (EN50082-1 / EN 55022) standard
 The keypad must not be disposed of with unsorted urban waste but must follow the WEEE (Waste Electrical and Electronic Equipment Directive) collection and recycling channel.

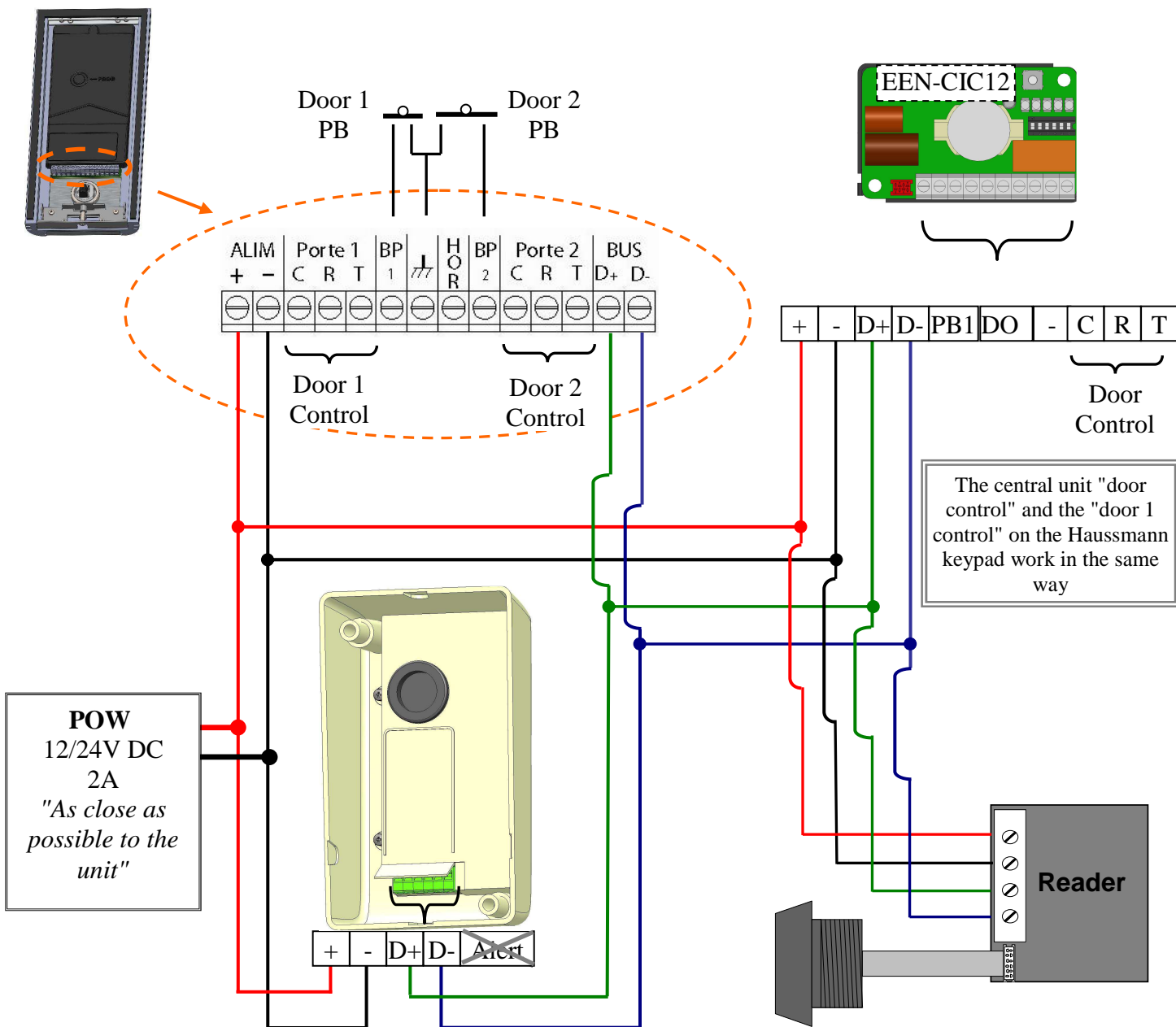
REAL-TIME OPERATION

"Real-time" operation takes priority when the Haussmann Riri keypad is connected to a central unit with a GSM unit. In this case, "stand-alone keypad" settings are totally disabled. The management website enables configuration:

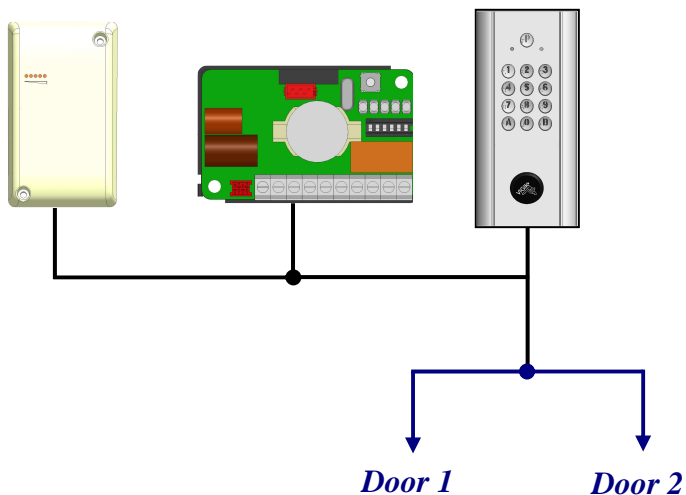
- Of 40 keypad codes, whether or not associated with timeslots
- Of the unrestricted access timeslot used via the button: 

"Real-time" central units also include traditional access-control functionality. The "1 door EEN-CIC12" or "EEN-CEN12" types of central unit provide different capabilities.

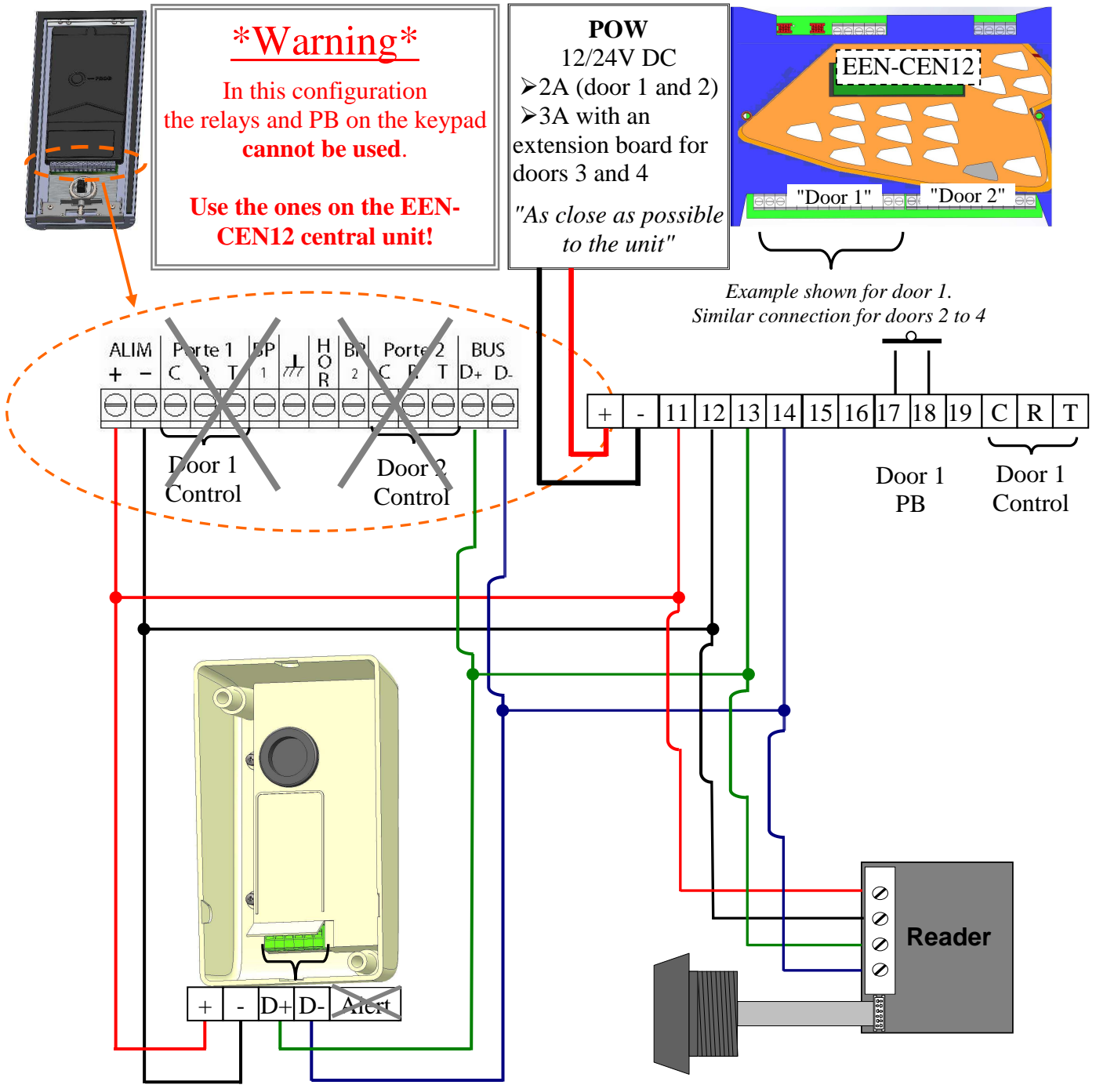
Cabling for the HAUSSMANN RIRI keypad with an EEN-CIC12 central unit and a GPRS unit



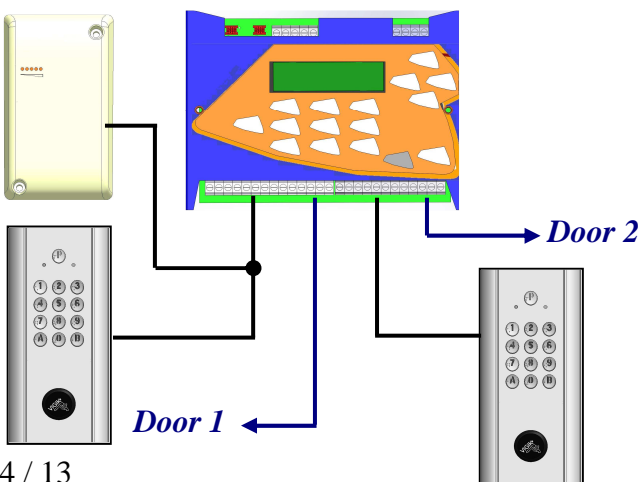
Examples of possible configurations:



Cabling for the HAUSSMANN RIRI keypad with an EEN-CEN12 central unit and a GPRS unit



Another example of possible configurations:



Note:
By using an extension board, up to 4 doors can be connected.

ALERT AND UNRESTRICTED ACCESS IN REAL-TIME

Both of these functions can be configured through the management website: www.intratone.info.

Alert

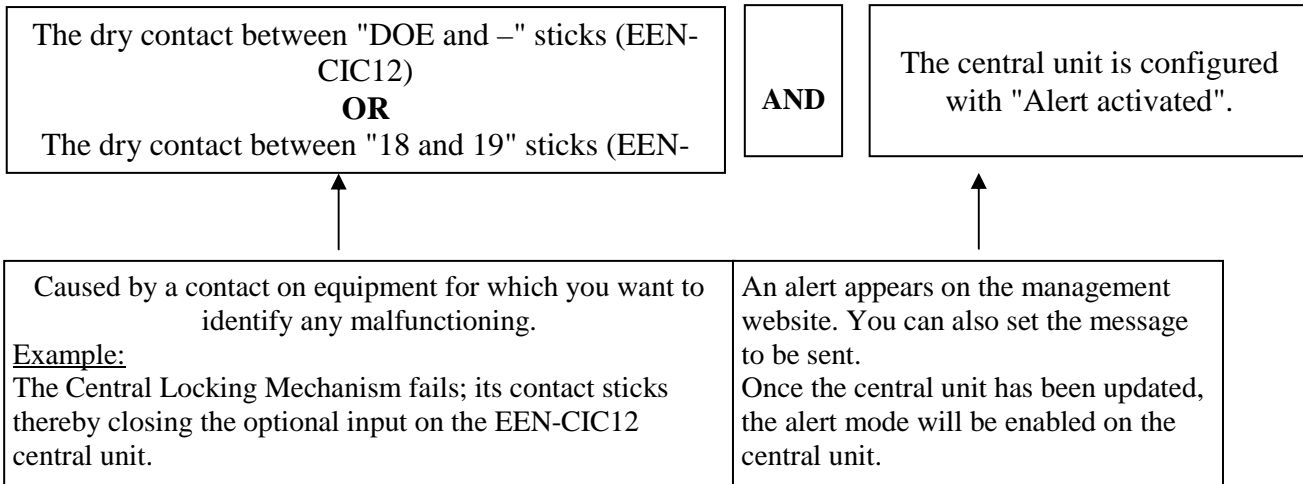


**The "Alert" terminals on the GPRS unit are operational only if you connect the GPRS unit to a central unit.
Only the alert terminals on the central units may be configured in this case.**

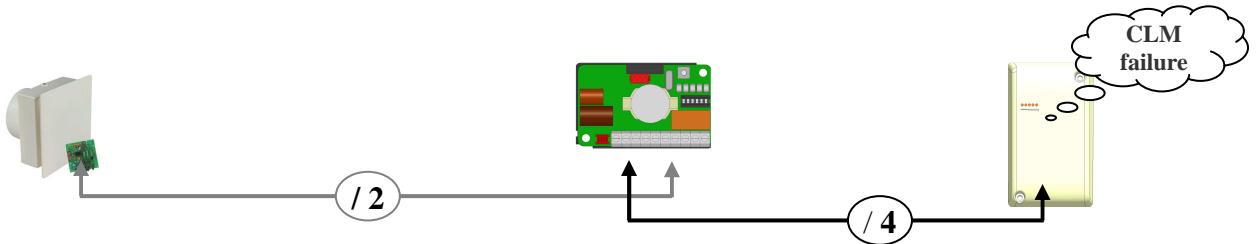
Alerts are managed on the central units and require the use of a GPRS unit.

ALERT + KEYPAD + CENTRAL UNIT + GPRS UNIT

But alerts must be enabled using the management website.



CLM failure + *ALERT Activated* = *EMAIL*



Note:

With the HCEN central unit, alarms can be implemented on doors 2, 3 or 4: Fit dry-contact points 28 / 29; 38 / 39 or 48 / 49 on the central unit.

Unrestricted access:

A press of the button by a visitor will trigger the opening of door 1 on the HAUSSMANN RIRI keypad during the unrestricted access timeslot.

This function may be useful in the event of independent professionals using the premises. It will then not be necessary to know a keypad code to open the door on working days.

Refer to the "unrestricted access" functionality on the management website.

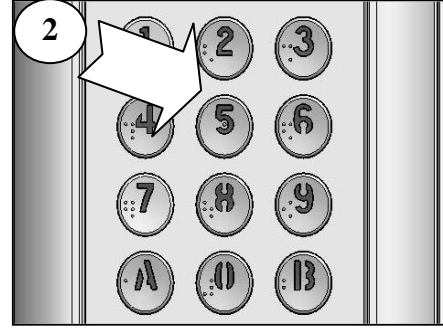
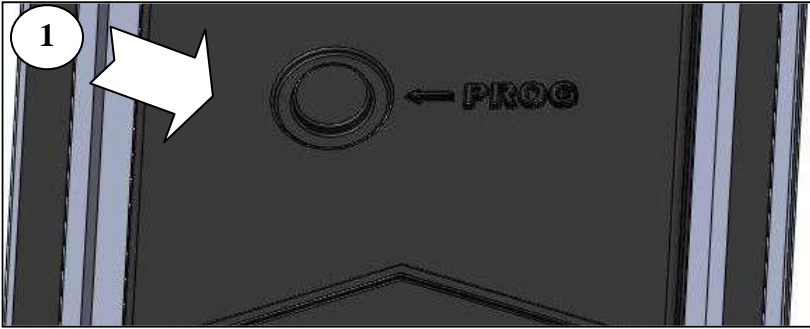
Note:

The clock should not be connected to the and on the keypad. This is only necessary with a stand-alone keypad.

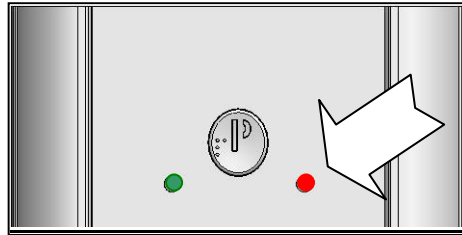
ENTERING PROGRAMMING MODE

Entering programming mode can be done in two ways:

- 1) Press the "PROG" button on the back of the board (on fitting)
- 2) Enter a master code directly into the keypad outside.



The red LED lights up to confirm that you are in programming mode.



The buzzer emits:

- **2 short beeps to confirm** setting saved or a positive response.
- **1 long beep in the event of an input or programming error.**

After five seconds of no activity, any incomplete programming sequence is deleted and the buzzer emits a beep.

In real-time use:

This programming mode enables you to manage the master code and door-opening time.

In stand-alone keypad use:

This programming mode enables you to manage access codes and the master code, the door-opening time and to check memory capacity.

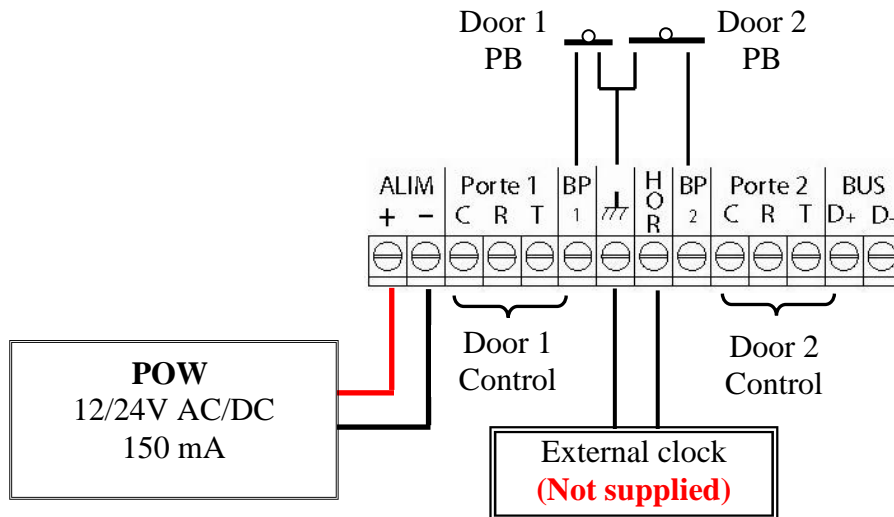
STAND-ALONE KEYPAD OPERATION

The HAUSMANN RIRI keypad can work as a stand-alone. It just needs to be programmed and installed at the entrance to the building.

In this functioning mode, the keypad must be configured outside.

Enter programming mode as described above and use the following functions:

Stand-alone keypad cabling



Add access codes

To program the codes, proceed as follows:

ENTER PROGRAMMING MODE		Example: Add the code "1234" in position 1
TYPE IN THE CODE NO.:		<p style="font-size: 1.5em; margin: 0;">⓪ ⓫ + ⓬ + ⓭ ⓮ ⓯ ⓰</p> <p style="margin: 0;">"2 beeps to confirm setting saved"</p> <p style="margin: 0;">"1 long beep for an error"</p>
- to open door 1 only	01 to 30	
- to add the master code	06	
- to open door 2 only	32 to 49	
- to open doors 1 and 2	50 to 53	
- to open door 1 only at pre-set times	54 and 55	
- to open door 2 only at pre-set times	56 and 57	
- to open doors 1 and 2 only at pre-set times	58 and 59	
TYPE IN THE NUMBER OF DIGITS FOR THE CODE:	4 to 8 digits	
TYPE IN THE CODE TO BE SAVED:	0 to 9; A and B	

NB: Use the button inside the keypad to enter programming mode during installation.

Delete access codes

To delete the codes, proceed as follows:

ENTER PROGRAMMING MODE		Example: Delete the 1st access code.
TYPE IN THE CODE NO. FOLLOWED BY THE A KEY	01 to 59	<p style="font-size: 1.5em; margin: 0;">⓪ ⓫ + A</p> <p style="margin: 0;">"2 beeps to confirm cancellation"</p>

Programming door-opening times

The time settings enable you to adjust the contact time for the CRT relays on door 1 and/or 2. This duration (from 0.2 sec to 99 sec) is valid for the codes, the exit PB and the unrestricted-access button.

To program the time settings for doors 1 and 2, proceed as follows:

ENTER PROGRAMMING MODE		Example: Opening time up to 0.2s.
TYPE: ①	Door 1 and 2	① + ①
SET THE OPENING TIME	from 0 to 99	"2 beeps to confirm setting saved"

To program the time settings for door 1 only, proceed as follows:

ENTER PROGRAMMING MODE		Example: Opening time up to 15s.
TYPE: ⑥①	Door 1 only	⑥① + ①⑤
SET THE OPENING TIME	from 0 to 99	"2 beeps to confirm setting saved"

To program the time settings for door 2 only, proceed as follows:

ENTER PROGRAMMING MODE		Example: Opening time up to 99s.
TYPE: ⑥②	Door 2 only	⑥② + ⑨⑨
SET THE OPENING TIME	from 0 to 99	"2 beeps to confirm setting saved"

Note:

The factory default setting for door 1 and 2 opening times is 5 sec.

Check stored codes

"Is the memory empty?" by typing in the code ⑥⑥. The beep will vary depending on the response.

ENTER PROGRAMMING MODE		
- response: 2 short beeps (YES)	Completely empty: no codes have been programmed.	
- response: 1 long beep	Completely full: all codes have been programmed.	
- response: 1 short beep	At least 1 code has been saved.	


"Is a code available?" by typing in the code followed by ①. The beep will vary depending on the response.

ENTER PROGRAMMING MODE	CODE	Example: Is the 9th code available?
TYPE IN THE CODE NO. and ①	01 to 59	
- response: 2 beeps (YES)	Available	①⑨ + ①
- response: 1 long beep (NO)	In use	

Exit programming mode


When exiting programming mode, two short beeps sound and at the same time the green LED lights up twice. The red LED goes out, thus confirming the return to normal operation.

Exiting programming mode is automatic:

1. after 30 seconds of no activity
2. when the button  on the keypad is pressed

The button and the timeslots

The HAUSSMANN RIRI keypad can be used with an external clock which enables

- either the use of the button  in "unrestricted access" mode **to open 1 door only**.
- or the programming codes associated with timeslots.

Connect the clock to the  and  on the keypad.

USE OF UNRESTRICTED ACCESS MODE:

When the clock is on, each press on a button  on the keypad triggers door opening in "unrestricted access" mode.


When the clock is off, the door remains shut and the red LED on the keypad lights up for 1 sec.

USE OF CODES ASSOCIATED WITH TIMESLOTS:

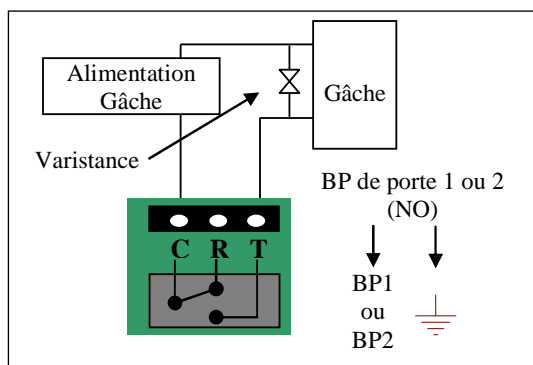
When the clock is on, the codes saved with the timeslots trigger door-opening.

When the clock is off, the same codes do not open the door and the red LED on the keypad lights up for 1 sec.

Important note:

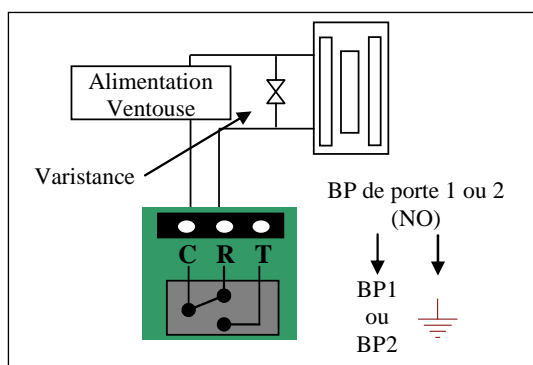
If you have programmed codes with timeslots, then the button  is disabled.
To resume unrestricted access mode, delete codes 54 to 59.

CONNECTION TO A DOOR



controlled by a lock mechanism:

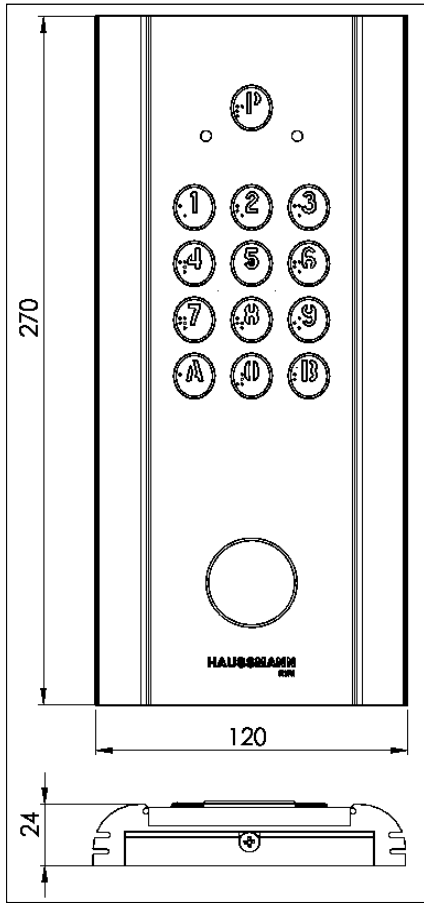
- At rest, the lock mechanism keeps the door locked,
- When the relay is activated by the central unit, current passes through it and the lock mechanism opens the door (by pressing on the pushbutton or the use of an authorised fob on the proximity reader).
- The power supplied to the electric lock mechanism must be less than 42 V AC or 60 V DC. If the power supply voltage exceeds these values, use an intermediate relay (of the correct capacity) to control the electric lock.



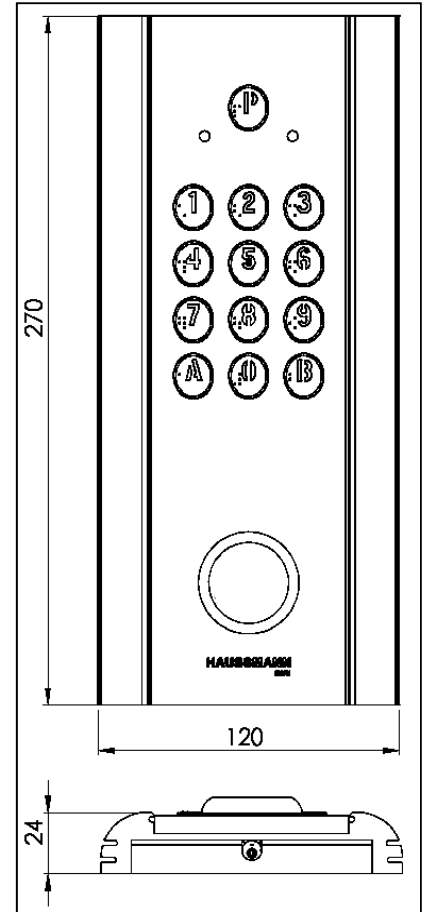
Controlled by a magnet lock

- At rest, power is supplied to the magnet and it keeps the door locked,
- When the relay is activated by the central unit, the magnet's power supply is cut; the magnet releases the door (by pressing on the push button or the use of an authorised badge on the proximity reader).
- The power supplied to the electromagnet must be less than 42 V AC or 60 V DC. If the power supply voltage exceeds these values, use an intermediate relay (of the correct capacity) to control the electric lock.

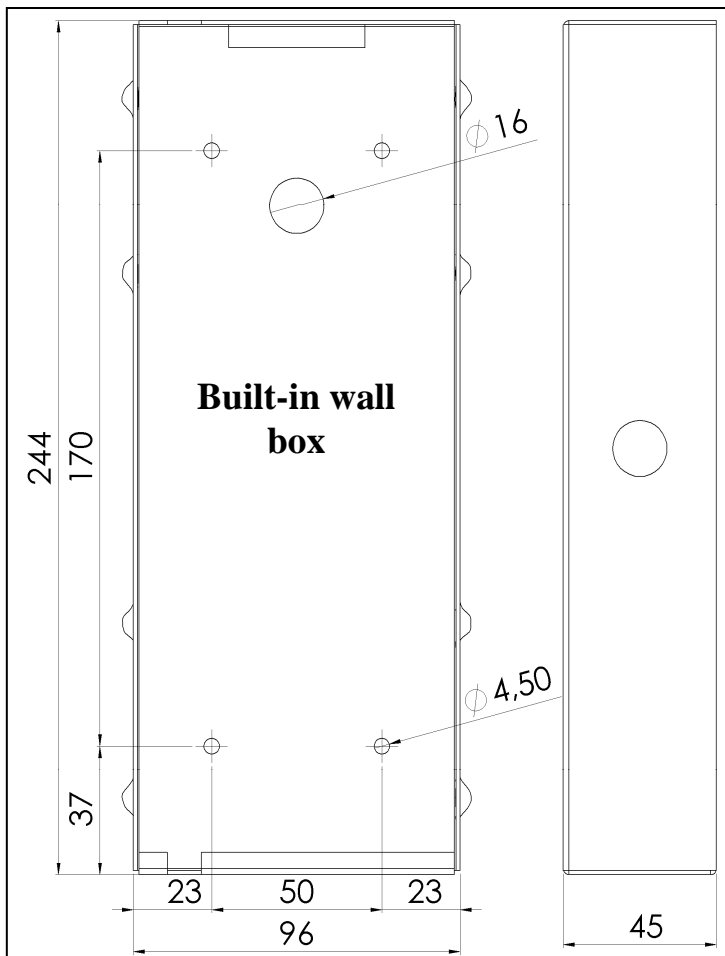
DIMENSIONS



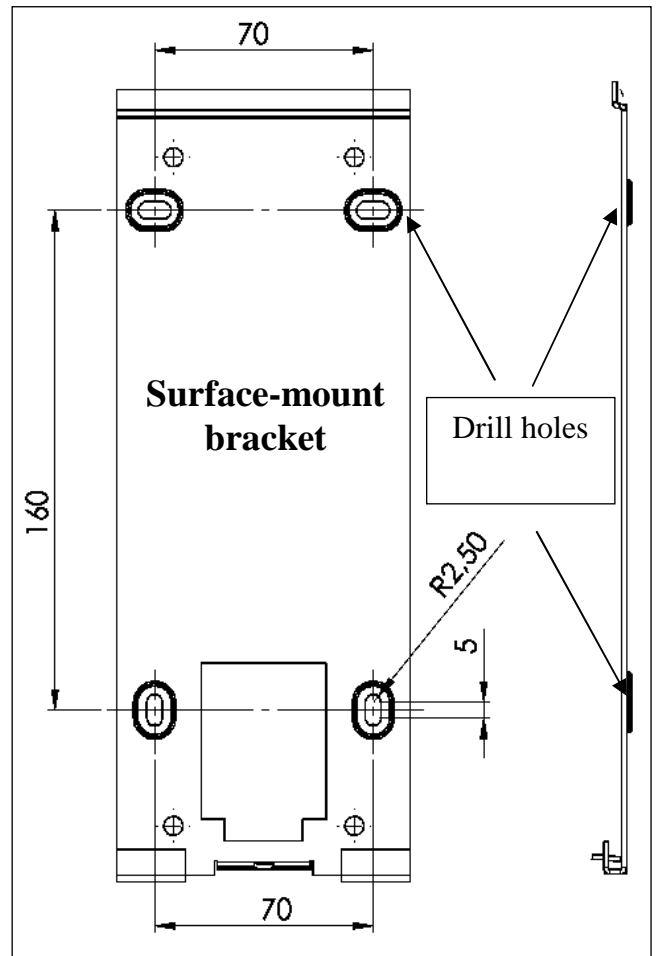
**Keypad
without
reader**



**Keypad
with
reader**



**Built-in wall
box**

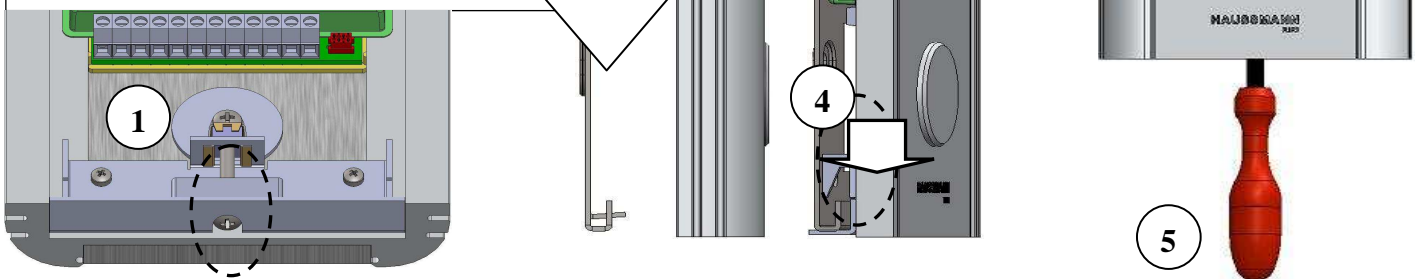


**Surface-mount
bracket**

Drill holes

SURFACE-MOUNT INSTALLATION

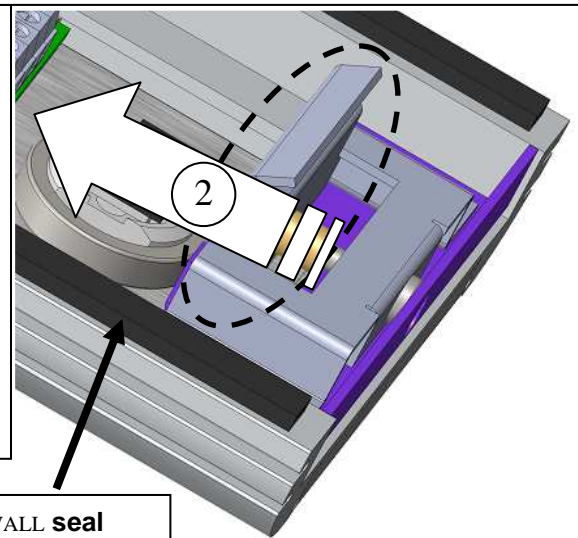
- ① Unscrew until just touching.
- ② Fit the call panel on the wall.
- ③ Place over the fixing points.
- ④ Clip onto the fixing points.
- ⑤ Screw the keypad to the wall (holding the call panel against the wall)

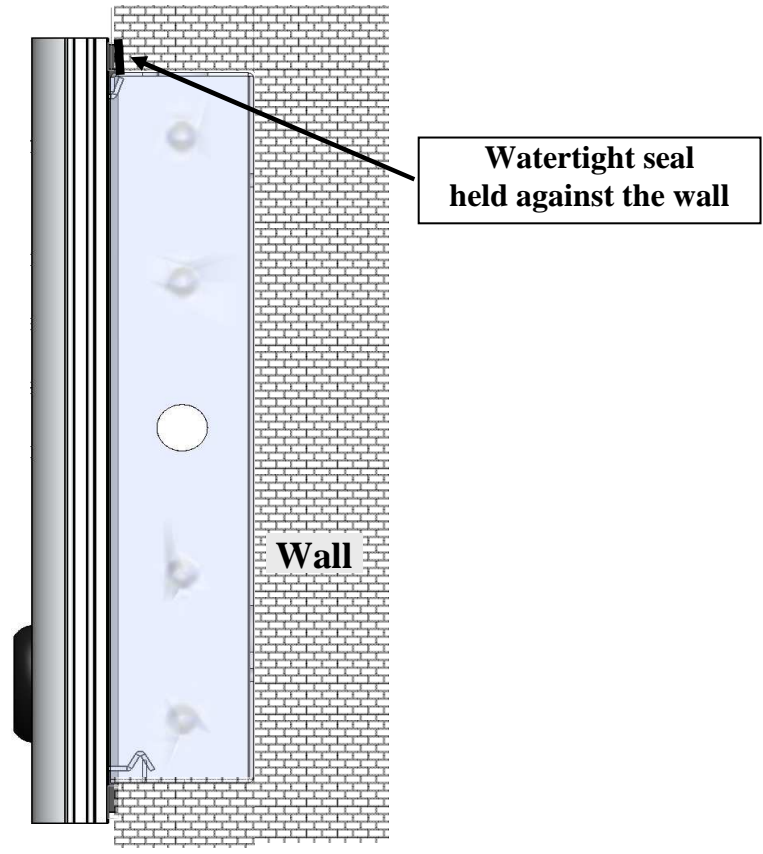
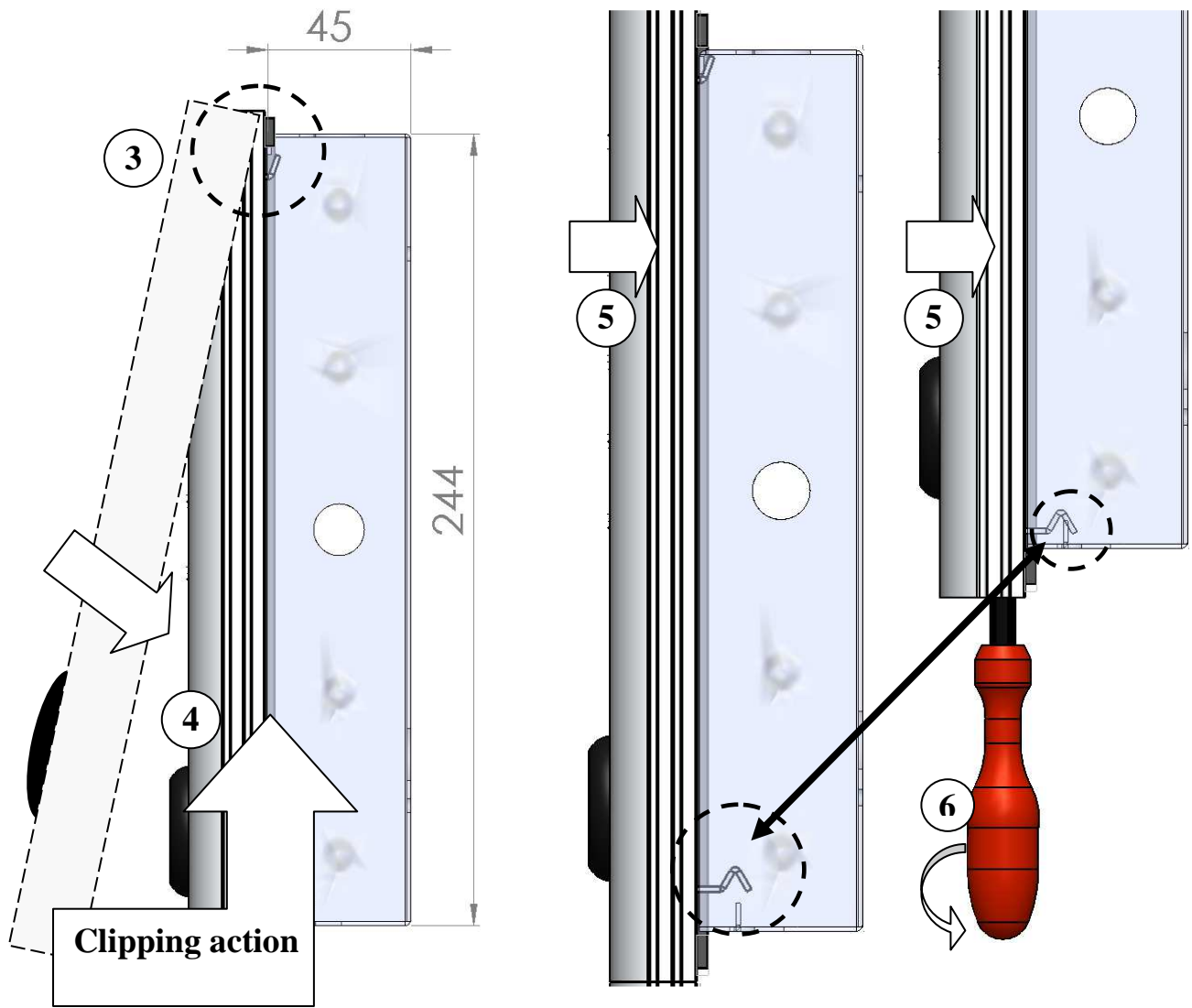


BUILT-IN INSTALLATION

- ① Prepare the cavity for installation
Check the dimensions carefully!
(particularly the depth: the box should be flush with the wall)

- ② Unscrew until just touching
- ③ Hook onto the fixing point
- ④ Hold against the wall and lift up the keypad
- ⑤ Hold the keypad down
- ⑥ Screw the keypad to the wall





FITTING RECORD FORM FOR A STAND-ALONE KEYPAD

DATE : CUSTOMER:	KEYPAD SERIAL NUMBER:
FITTING ADDRESS:	
TELEPHONE:	

No.		CODE	CODE
01	/		
02	/		
03	/		
04	/		
05	/		
Master			
07	/		
08	/		
09	/		
10	/		
11	/		
12	/		
13	/		
14	/		
15	/		
16	/		
17	/		
18	/		
19	/		
23	/		
21	/		
22	/		
23	/		
24	/		
25	/		
26	/		
27	/		
28	/		
29	/		
30	/		

No.		CODE	CODE
32	/		
33	/		
34	/		
35	/		
36	/		
37	/		
38	/		
39	/		
40	/		
41	/		
42	/		
43	/		
44	/		
45	/		
46	/		
47	/		
48	/		
49	/		
50	X		
51	X		
55	X		
53	X		
54			
55			
56			
57			
58	X		
59	X		

Key:

/	Door 1
/	Door 2
X	Door 1 and door 2

/	Door 1 with Timeslot
/	Door 2 with Timeslot
/	Door 1 and door 2 with Timeslot