

Installation and cabling of the 3G Module



This 3G module (ref: EEN-M3G) enables audio and video communications.

- Audio Panel + 3G Module ⇨ Audio call
- Visio Panel + 3G Module ⇨ Audio and Visio call

When you do not have any 3G network on site, the 3G Module will search the GSM network automatically and will resume to these functionalities:

- Audio call (without Visio)
- Update in real time on the GSM network.

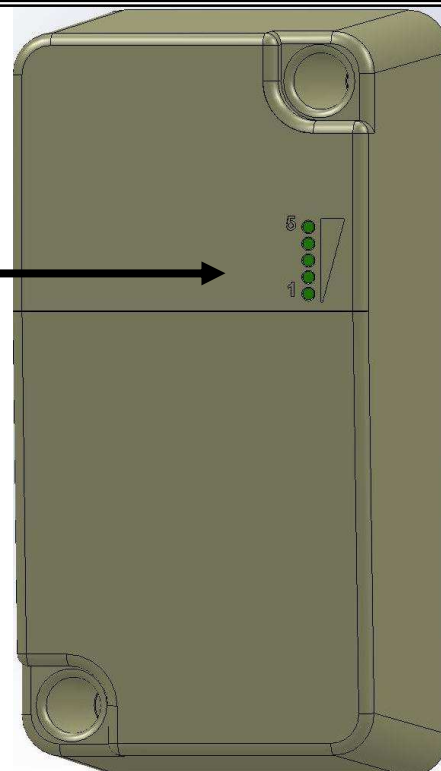
It does exist an external aerial to hide the 3G Module in a technical room and install the aerial outdoor.

Connectors are now dedicated to the electronic notice board (Auxiliary Data Bus).

The LEDs show the quality of the network on site:

«The more LEDs are on, the better is the reception ».

Operational level will be optimal from 3 LEDs on.



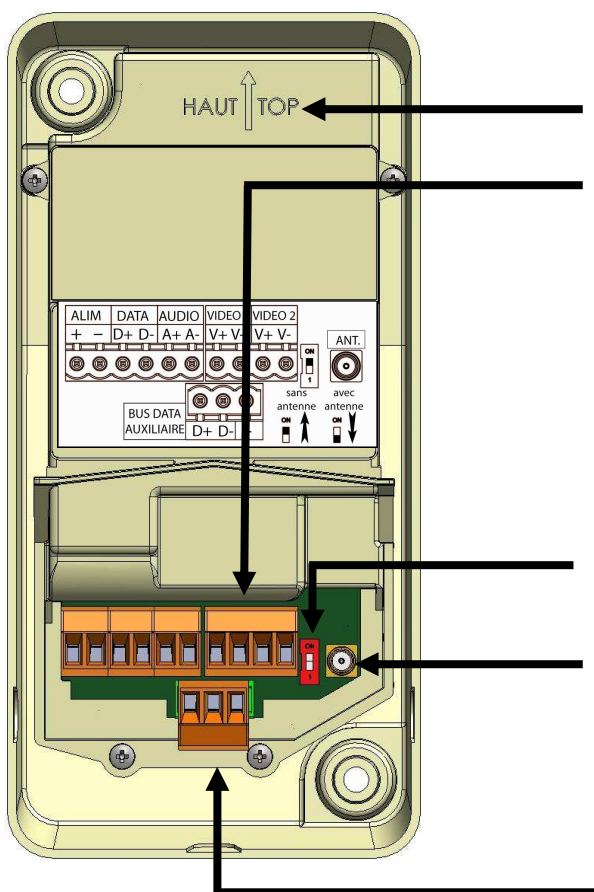
A low level of reception may result in impossibility to make calls or updates. We therefore advise you to carry out several tests in order to find the location that provides the best level of reception.

The 3G Module can be moved up to **100m**; an aerial can be installed if necessary.

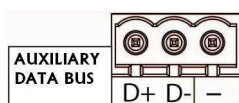
The 3G Module can be fitted both **outdoor and indoor**.

➤ **NEVER FIT THE MODULE INSIDE A METAL CASE!**

Description of the 3G Module



See installation guide for EEN-TAF-15-0



Installation direction to respect **necessarily**

Be careful to respect the connections V+ and V- for each Video connector.

Video 1: Cable this connector on the connectors V+ and V- of a Visio Panel.

Video 2: Permit to:

- Cable another Visio Panel (V+ and V).
- Plug a secondary camera, please contact our technical support.

Switch: To use an aerial (see below)

Connector external aerial: change switch position

- To use an external antenna, switch the switch down (1 position).
- Without aerial, leave the switch ON (like manufactory setting).

Auxiliary Data Bus: dedicated to « EFR-TAF »

WARNING: always use the connectors to connect an electronic noticeboard (EEN-TAF-15-0).

Meaning of the LEDs


	Behaviour	Explanation
---	-----------	-------------

①②③④⑤	Led ON from 1 to 5	Test LEDs functionality
○○○○●	LED No flash	Search the network
●●●●○	4 first LEDs ON	In this example reception level : 4 / 5
○●●●○	The 3 middle LEDs are ON from time to time.	Indicate the only the GSM network has been found

Note :

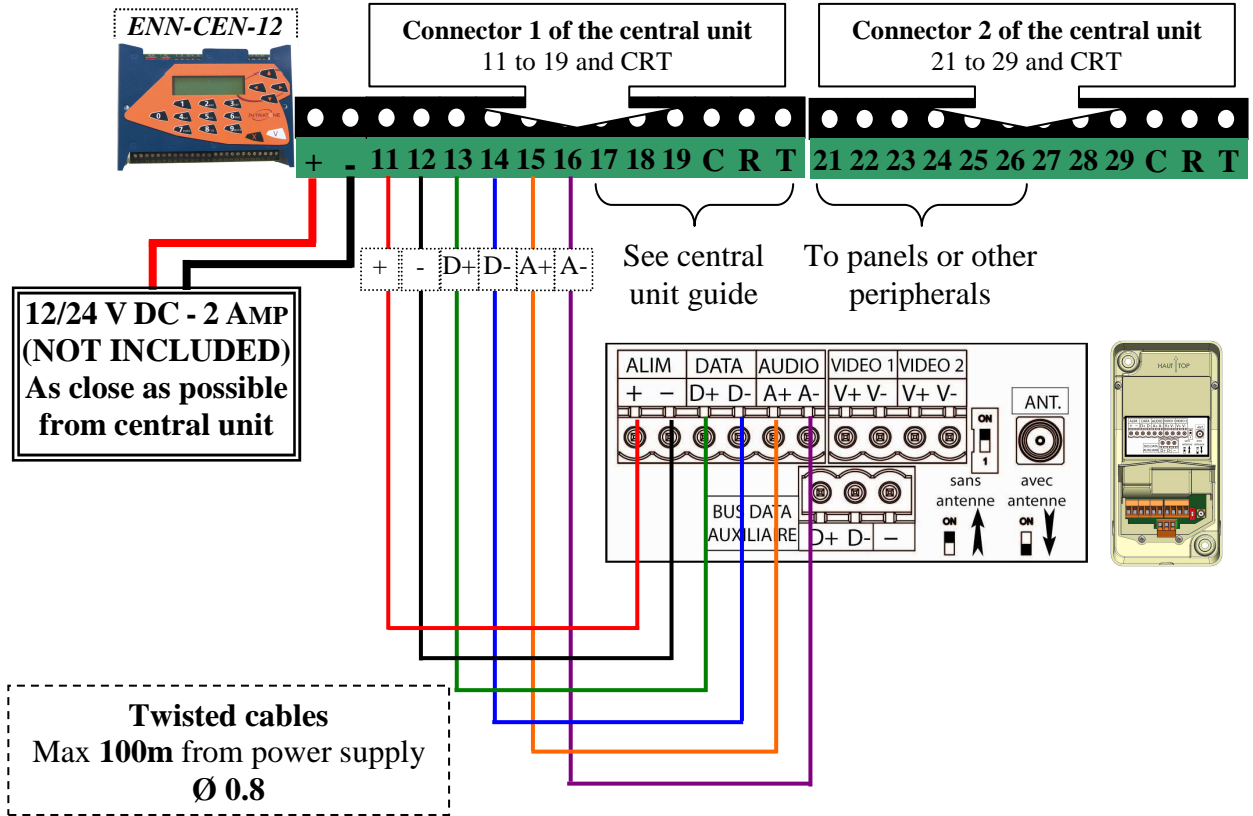
- If the 3G network is available then LEDs are ON permanently.
- If the 3G network is not available then the network downgrade to GSM. In the case only the LEDs behave has indicated in the section ○●●●○.
- If the 3G module is tune to the GSM network, it will try to reconnect itself to the 3G network frequently.

Connection of the 3G module to a central EEN-CEN-12 :

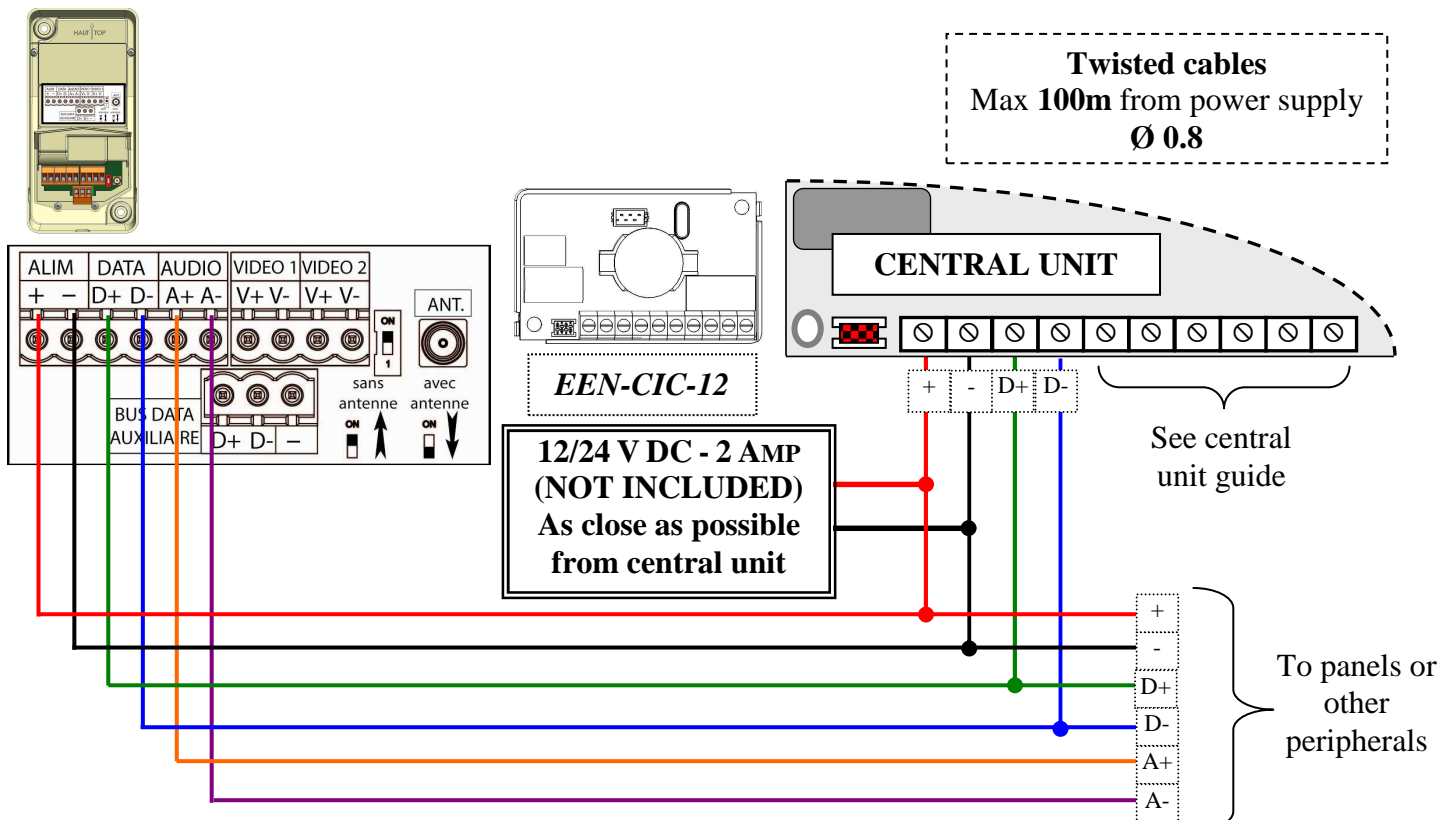


ON TERMINAL BLOCKS 11 TO 16 OF THE RESIDENTIAL CENTRAL UNIT

- ✓ Always connect 3G module to these terminal blocks
- ✗ Never connect a panel nor display board to these terminal blocks.



Connection of the 3G module to a central EEN-CIC-12 :



Norms :

EC standards:

- The 3G module complies with the **R&TTE Directive 1999/5/EC**: electrical safety standard **EN 60950**(2001) applied, **EMC standard EN 301 489-3** (2002) applied, **radio standard EN 300 330-2** (2001) applied.
- The 3G module complies standards
 - o **3GPP 51.010-1** : 3G
 - o **EN 301 511** : GSM (Radio spectrum)
- The 3G module complies with EMC standards **EN 301 489-1** and **EN 301 489-7**.

Cabling:

- -The cables connected to the central unit must not be placed in the vicinity of other sources of electrical power (e.g. mains power supply).
- 3-pairs twisted cable using min 0.80 mm diameter wire.

Operating warranty

- The 3G module is guaranteed to operate within a temperature range of between -20°C and +70°C and for relative humidity that does not exceed 70%.
- **The 3G module must be installed as indicated TOP / BOTTOM in the guide.**

End of life product recycling:

- The 3G module and its accessories must not be disposed of with unsorted municipal waste, but must follow the WEEE (Waste Electrical and Electronic Equipment) collection and recycling

Sizes:

