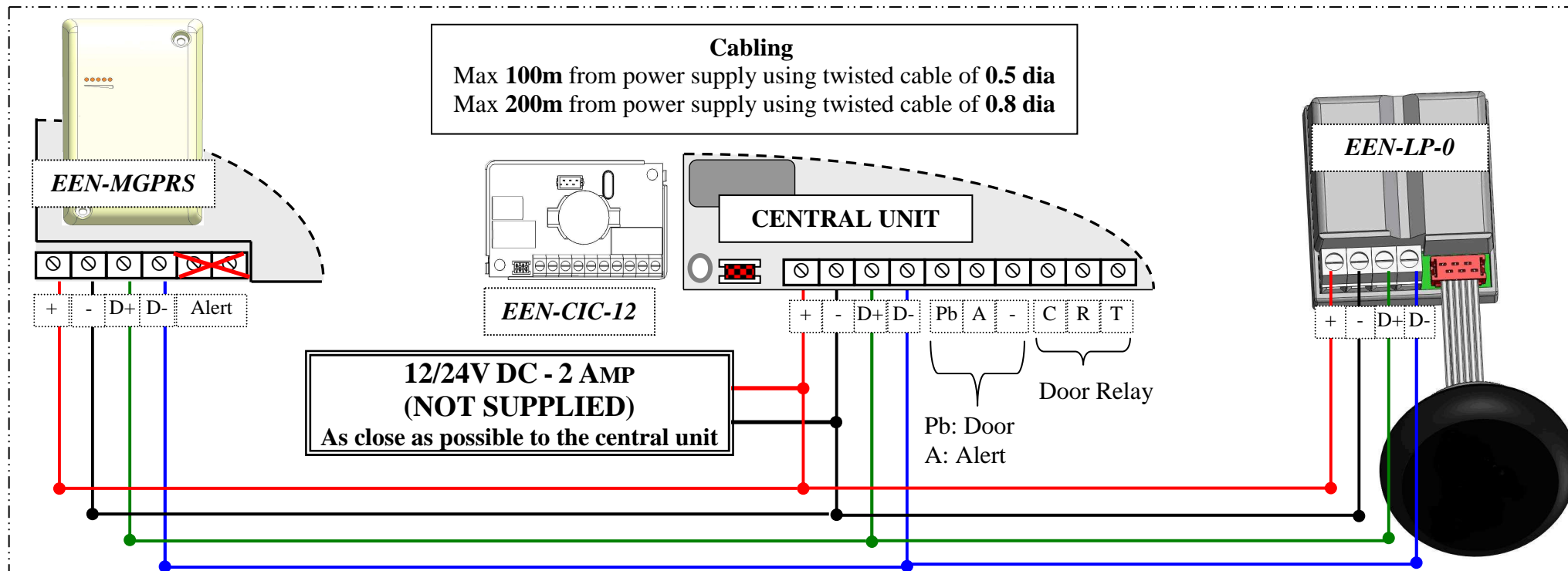


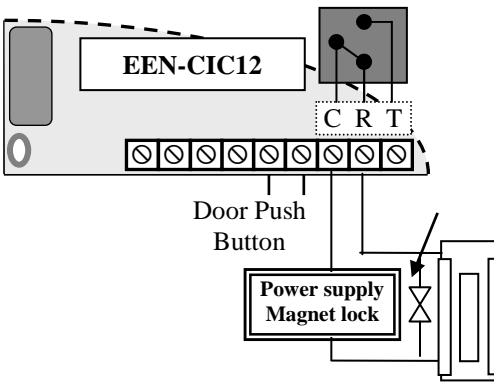
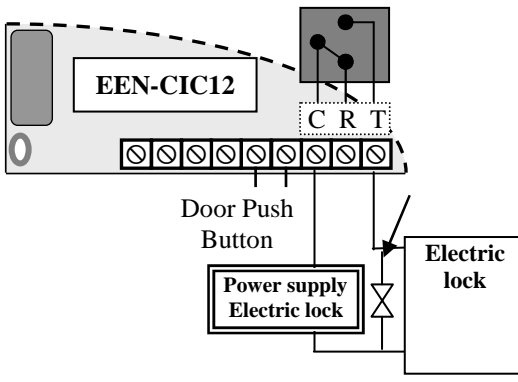
WIRING DIAGRAM



- **NEVER PUT THE EEN-MGPRS BLOCK IN A METAL BOX**
- The leds on the EEN-MGPRS block display the reception quality of the nearby GPRS network signal: "The more leds lit up, the better the signal". **For optimum performance, ensure that you have 3 leds lit up.**
- **REMEMBER TO NOTE THE SERIAL NO. OF THE EEN-CIC12 CENTRAL UNIT.**
 You will need this together with the EEN-MGPRS contract no. in order to create your equipment on:
www.intratone.com in the "management website" tab



CABLING AND SETTINGS FOR A DOOR CONNECTED TO THE EEN-CIC12 CENTRAL UNIT

MAGNET LOCK	ELECTRIC LOCK	SWITCHES AND SETTINGS																																																																								
		<table border="1" style="width: 100%; border-collapse: collapse;"> <tr> <td style="text-align: center;">NOT USED</td> <td style="text-align: center;">S1</td> <td colspan="6" style="text-align: center;">/</td> </tr> <tr> <td style="text-align: center;">NOT USED</td> <td style="text-align: center;">S2</td> <td colspan="6" style="text-align: center;">/</td> </tr> <tr> <td style="text-align: center;">NOT USED</td> <td style="text-align: center;">S3</td> <td colspan="6" style="text-align: center;">/</td> </tr> <tr> <td style="text-align: center;">**TIME</td> <td style="text-align: center;">S4</td> <td style="text-align: center;">ON</td> <td style="text-align: center;">05 sec</td> <td style="text-align: center;">ON</td> <td style="text-align: center;">10 sec</td> <td style="text-align: center;">OFF</td> <td style="text-align: center;">20 sec</td> </tr> <tr> <td style="text-align: center;">TYPE OF BUTTON</td> <td style="text-align: center;">S5</td> <td style="text-align: center;">ON</td> <td style="text-align: center;">NO</td> <td style="text-align: center;">OFF</td> <td style="text-align: center;">NC</td> <td colspan="2"></td> </tr> <tr> <td style="text-align: center;">TYPE OF BUTTON</td> <td style="text-align: center;">S6</td> <td style="text-align: center;">ON</td> <td style="text-align: center;">NO</td> <td style="text-align: center;">OFF</td> <td style="text-align: center;">NC</td> <td colspan="2"></td> </tr> </table> <table border="1" style="width: 100%; border-collapse: collapse;"> <thead> <tr> <th style="text-align: center;">Flashing</th> <th style="text-align: center;">SLOW</th> <th style="text-align: center;">LED OFF</th> <th style="text-align: center;">FAST</th> </tr> </thead> <tbody> <tr> <td style="text-align: center;">LED 1</td> <td style="text-align: center;">Reader ☺</td> <td style="text-align: center;">Check power</td> <td style="text-align: center;">Reader ☹</td> </tr> <tr> <td style="text-align: center;">LED 2</td> <td style="text-align: center;"><input checked="" type="checkbox"/></td> <td style="text-align: center;"><input checked="" type="checkbox"/></td> <td style="text-align: center;"><input checked="" type="checkbox"/></td> </tr> <tr> <td style="text-align: center;">LED 3</td> <td style="text-align: center;">Central unit operational</td> <td style="text-align: center;">Central unit with factory settings</td> <td style="text-align: center;">Memory problem</td> </tr> <tr> <td style="text-align: center;">LED 4</td> <td style="text-align: center;">GSM module ☺</td> <td style="text-align: center;">GSM module ☹</td> <td style="text-align: center;"><input checked="" type="checkbox"/></td> </tr> <tr> <td style="text-align: center;">LED 5</td> <td style="text-align: center;"><input checked="" type="checkbox"/></td> <td style="text-align: center;"><input checked="" type="checkbox"/></td> <td style="text-align: center;"><input checked="" type="checkbox"/></td> </tr> </tbody> </table>	NOT USED	S1	/						NOT USED	S2	/						NOT USED	S3	/						**TIME	S4	ON	05 sec	ON	10 sec	OFF	20 sec	TYPE OF BUTTON	S5	ON	NO	OFF	NC			TYPE OF BUTTON	S6	ON	NO	OFF	NC			Flashing	SLOW	LED OFF	FAST	LED 1	Reader ☺	Check power	Reader ☹	LED 2	<input checked="" type="checkbox"/>	<input checked="" type="checkbox"/>	<input checked="" type="checkbox"/>	LED 3	Central unit operational	Central unit with factory settings	Memory problem	LED 4	GSM module ☺	GSM module ☹	<input checked="" type="checkbox"/>	LED 5	<input checked="" type="checkbox"/>	<input checked="" type="checkbox"/>	<input checked="" type="checkbox"/>
NOT USED	S1	/																																																																								
NOT USED	S2	/																																																																								
NOT USED	S3	/																																																																								
**TIME	S4	ON	05 sec	ON	10 sec	OFF	20 sec																																																																			
TYPE OF BUTTON	S5	ON	NO	OFF	NC																																																																					
TYPE OF BUTTON	S6	ON	NO	OFF	NC																																																																					
Flashing	SLOW	LED OFF	FAST																																																																							
LED 1	Reader ☺	Check power	Reader ☹																																																																							
LED 2	<input checked="" type="checkbox"/>	<input checked="" type="checkbox"/>	<input checked="" type="checkbox"/>																																																																							
LED 3	Central unit operational	Central unit with factory settings	Memory problem																																																																							
LED 4	GSM module ☺	GSM module ☹	<input checked="" type="checkbox"/>																																																																							
LED 5	<input checked="" type="checkbox"/>	<input checked="" type="checkbox"/>	<input checked="" type="checkbox"/>																																																																							
<p>The voltage of the electric magnet power supply or of the electric lock must be less than 42 V AC or 60 V DC. If the power supply voltage exceeds these values, use an intermediate relay (of the correct capacity) to control the electric lock.</p>																																																																										

IMPORTANT: Installation of the varistors supplied with the central unit ensures the system's proper functioning and longevity

1. The varistor must be fitted as close as possible to the electric lock or the magnet lock.
2. Open access times should be avoided in the case of doors fitted with electric locks!
3. The varistor is 12V.

IF YOU INSTALL SEVERAL POWER CABLES, ENSURE THAT GROUNDS (-) ARE ALL CONNECTED.

The complete pack for managing single-door access with		
1 proximity reader (EEN-LP-0)	1 central management unit for 1 door (EEN-CIC12)	1 (EEN-MGPRS-DATA) module.
