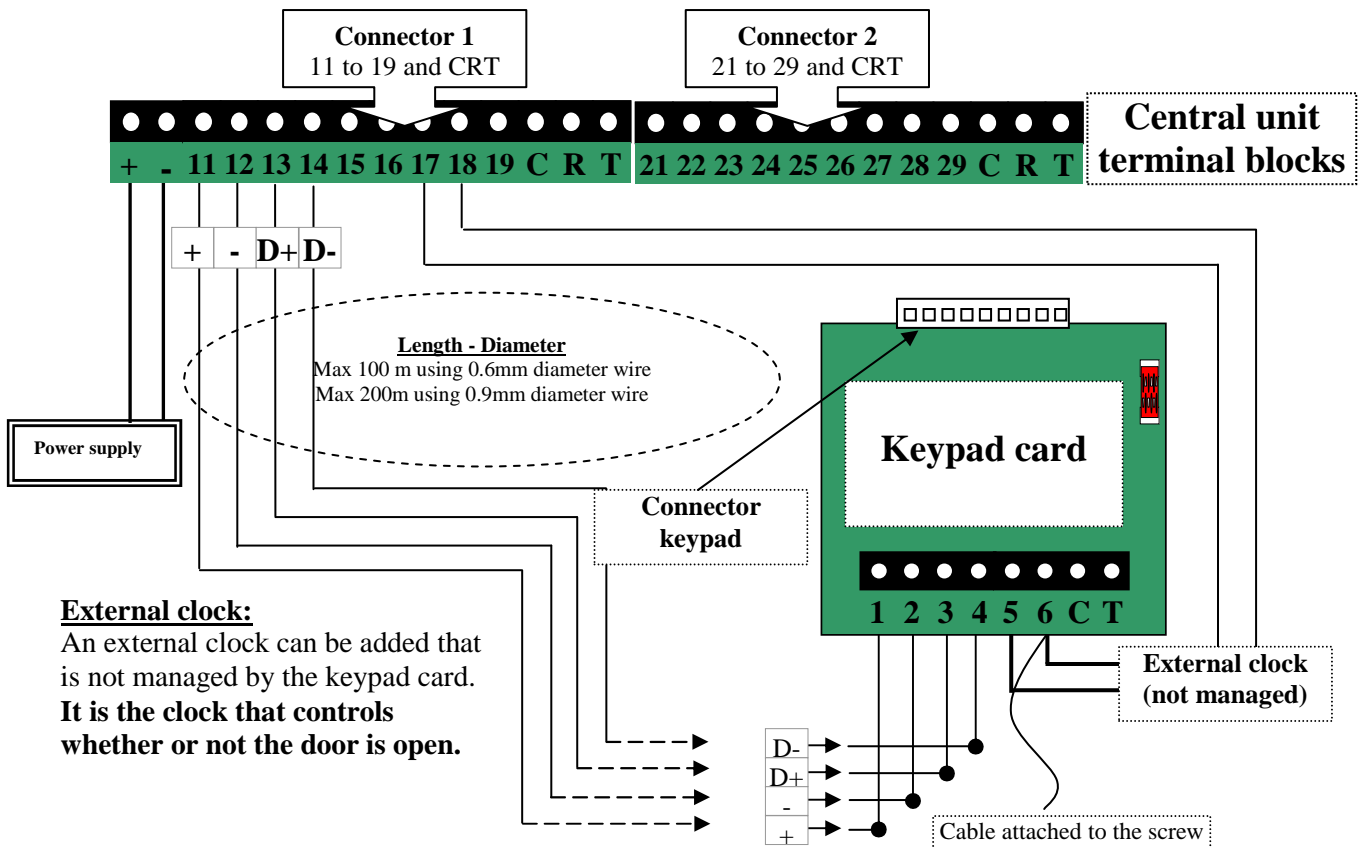


Instructions for connecting the keypad alone to the central unit



Example of cabling a keypad to connector 1



Note: An extension board can be added to increase the number of doors controlled to 4.

Recessed box



