

Central unit installation guide:



Central unit's time setting^(*):

The INTRATONE RW 1-door central unit's time has been set in the factory, allowing immediate operation with no setting necessary. The time and date are saved by the battery. *If you remove or replace the battery (central unit off), the time and date will however remain in memory for one week.*

Door opening settings^(*):

The INTRATONE RW 1-door central unit is delivered ready to control a door fitted with a NO (Normally Open) pushbutton and provides a dry contact (PSTN relay) for 5 seconds.

Resident access control:

The INTRATONE RW 1-door central unit offers access control for residents using INTRATONE electronic keys. This read-writeable access control is controlled completely via the Internet through the www.intratone.info portal.

EC standards:

The INTRATONE RW 1-door central unit complies with the **R&TTE Directive 1999/5/EC**: electrical safety standard **EN 60950(2001)** applied, **EMC standard EN 301 489-3** (2002) applied, **radio standard EN 300 330-2** (2001) applied.

Cabling:

The cables used to connect the proximity reader and the pushbutton must be installed in accordance with the instructions describing the level 2, protected environment, of the NF EN 61000-4-4 standard.

-The cables connected to the central unit must not be placed in the vicinity of other sources of electrical power (e.g. mains power supply).

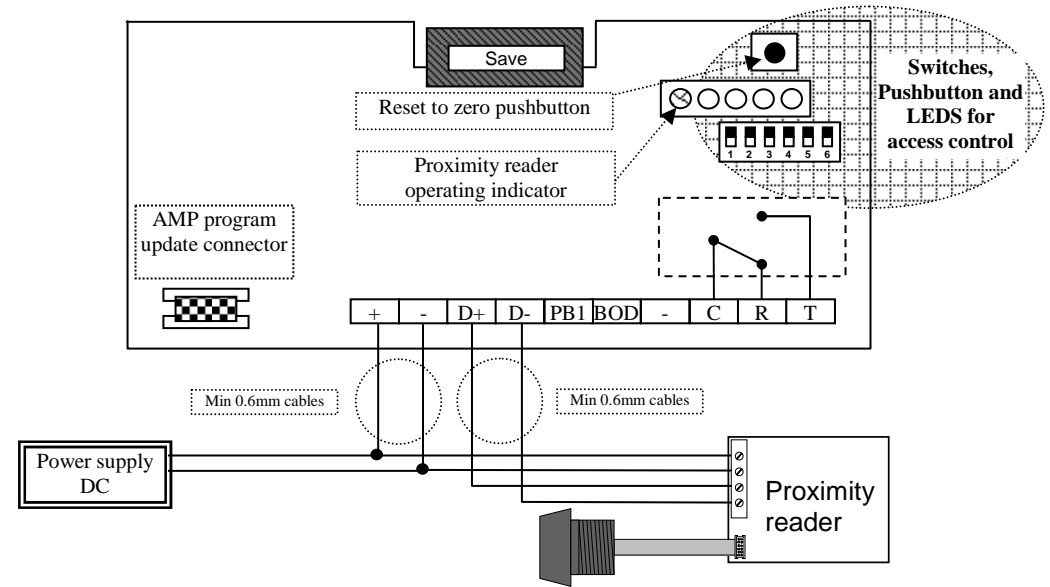
End of life product recycling:



The central unit and its accessories must not be disposed of with unsorted municipal waste, but must follow the WEEE (Waste Electrical and Electronic Equipment) collection and recycling channel.

(*): The INTRATONE RW 1-door central unit can be configured using the INTRATONE Portable Programming Terminal (ask your dealer for further information).

Connecting the INTRATONE RW 1-door central unit



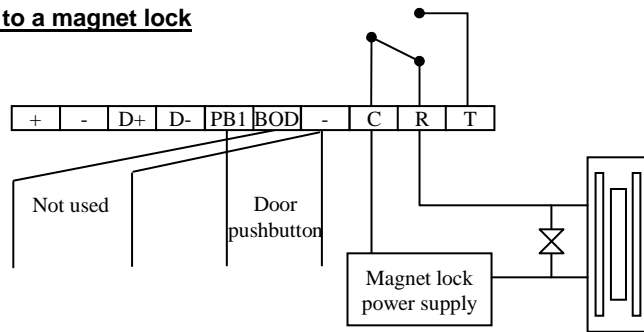
Power supply required specifications:

- Direct current (DC) : 10V – 24V for 150mA
The central unit's power supply must comply with the EN60950 :2000 standard for limited power sources.

Proximity reader operating indicator behaviour (wait 10 seconds after power supply on):

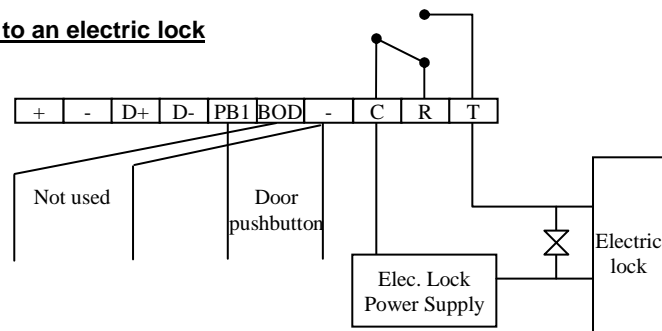
- Slow flashing:
 - The read head **AND** its proximity reader are working normally.
 - **AND** the central unit is working normally.
- Fast flashing:
 - Read head absent.
 - **OR** proximity reader is absent.
 - **OR** time and date in the central unit are incoherent.
 - **OR** writing error in the central unit's memory save.

Connection to a magnet lock



At rest, the magnet is powered and the door is locked. When the relay is activated by the central unit, the electric current releases the magnet lock (by pressing on a pushbutton or the use of an authorised badge).

Connection to an electric lock



At rest, the lock striker keeps the door locked mechanically. When the relay is activated by the central unit, the electric current releases the electric lock (by pressing on a pushbutton or the use of an authorised badge).

WARNING

The magnet or electric lock power supply voltage must be less than 42 V AC or 60 V DC. If the power supply voltage exceeds these values, use an intermediate relay (of the correct capacity) to control the electric lock.

IMPORTANT NOTE

A transil diode is required to protect the central unit from voltage spikes caused by cutting off power to the electric or magnet lock.

The transil diode must be connected as close as possible to the electric lock or magnet

The transil diode must have the following characteristics:

- Bi-directional.
- The limit value must be greater than the electric or magnet lock power supply voltage.

⚠Before you leave:

- *Have you checked the central unit LED (slow flash)?*
- *The pushbutton (opening of the door)?*