

4000 Series Surface Boxes

4000 Series Surface Back Boxes and Front Support Frames



SURFACE BACK BOX

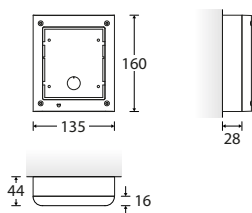
Art. 4881



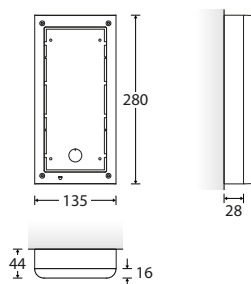
Art. 4882



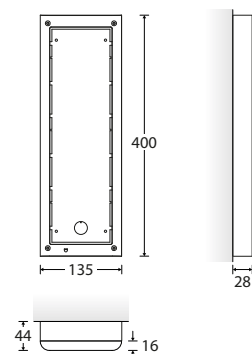
Art. 4883



1 MODULE



2 MODULE



3 MODULE

Art.	4881	4882	4883
DESCRIPTION	4000 Series surface back boxes and front support frames		
HOUSED MODULE SIZE	1 module	2 module	3 module
FINISH & MATERIALS	Front support frame and surface back box: embossed metallized "gun-metal" grey		
FRONT SUPPORT FRAME SIZE (MM)	135 (W) x 160 (L) x 16 (D)	135 (W) x 280 (L) x 16 (D)	135 (W) x 400 (L) x 16 (D)
BACK BOX SIZE (MM)	135 (W) x 160 (L) x 28 (D)	135 (W) x 280 (L) x 28 (D)	135 (W) x 400 (L) x 28 (D)
SYSTEM COMPATIBILITY	Compatible with the full range of both audio and video 4000 series modules, also compatible with the full range of both audio and video VR4K series modules. Compatible with the surface 4000 series rainshields: 4891 , 4892 and 4893 .		
NOTES	The front support frame is provided with a waterproof gasket, fixing brackets and torx pin security screws for fixing to the back box. Also provided is a torx pin screwdriver or torx key wrench.		

4000 Series Surface Boxes

4000 Series Surface Back Boxes and Front Support Frames



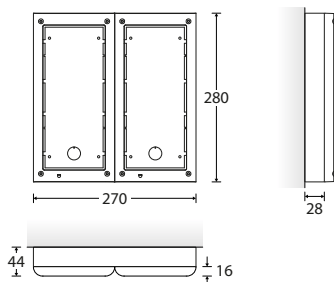
Art. 4884



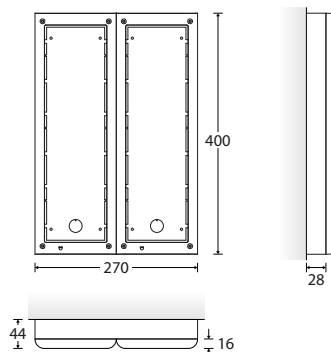
Art. 4886



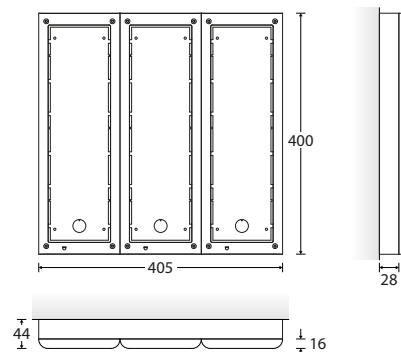
Art. 4889



4 MODULE



6 MODULE



9 MODULE

Art.	4884	4886	4889
DESCRIPTION	4000 Series surface back boxes and front support frames		
HOUSED MODULE SIZE	4 module	6 module	9 module
FINISH & MATERIALS	Front support frame and surface back box: embossed metallized "gun-metal" grey		
FRONT SUPPORT FRAME SIZE (MM)	270 (W) x 280 (L) x 16 (D)	270 (W) x 400 (L) x 16 (D)	405 (W) x 400 (L) x 16 (D)
BACK BOX SIZE (MM)	270 (W) x 280 (L) x 28 (D)	270 (W) x 400 (L) x 28 (D)	405 (W) x 400 (L) x 28 (D)
SYSTEM COMPATIBILITY	Compatible with the full range of both audio and video 4000 series modules, also compatible with the full range of both audio and video VR4K series modules. Compatible with the surface 4000 series rainshields: 4894 , 4896 and 4899 .		
NOTES	The front support frame is provided with a waterproof gasket, fixing brackets and torx pin security screws for fixing to the back box. Also provided is a torx pin screwdriver or torx key wrench.		