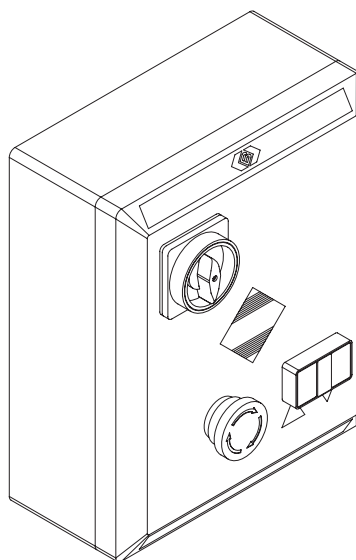


L8542618
Rev. 01/06/03

BENINCA®

CENTRALE DI COMANDO
CONTROL UNIT
STEUEREINHEIT
CENTRALE DE COMMANDE
CENTRAL DE MANDO
CENTRALKA STEROWANIA

DA.C15I



Libro istruzioni
Operating instructions
Betriebsanleitung
Livret d'instructions
Manuale de instrucciones
Książeczka z instrukcjami



UNIONE NAZIONALE COSTRUTTORI
AUTOMATISMI PER CANCELLI, PORTE,
SERRANDE ED AFFINI

Dichiarazione CE di conformità
EC declaration of conformity
EG-Konformitätserklärung

Déclaration CE de conformité
Declaracion CE de conformidad
Deklaracja UE o zgodności

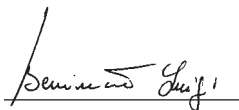
Con la presente dichiariamo che il nostro prodotto
We hereby declare that our product
Hiermit erklaren wir, dass unser Produkt
Nous déclarons par la présente que notre produit
Por la presente declaramos que nuestro producto
Niniejszym oświadczamy że nasz produkt

DA.C15I

è conforme alle seguenti disposizioni pertinenti:
complies with the following relevant provisions:
folgenden einschlägigen Bestimmungen entspricht:
correspond aux dispositions pertinentes suivantes:
satisface las disposiciones pertinentes siguientes:
zgodny jest z poniżej wyszczególnionymi rozporządzeniami:

Direttiva sulla compatibilità elettromagnetica
(89/336/CCE, 93/68/CEE)
EMC guidelines (89/336/EEC, 93/68/EEC)
EMV-Richtlinie (89/336/EWG, 93/68/EWG)
Directive EMV (89/336/CCE, 93/68/CEE)
(Compatibilité électromagnétique)
Reglamento de compatibilidad electromagnética
(89/336/MCE, 93/68/MCE)
Wytyczna odnośnie zdolności współdziałania elektromagne-
tycznego (89/336/EWG, 93/68/EWG)

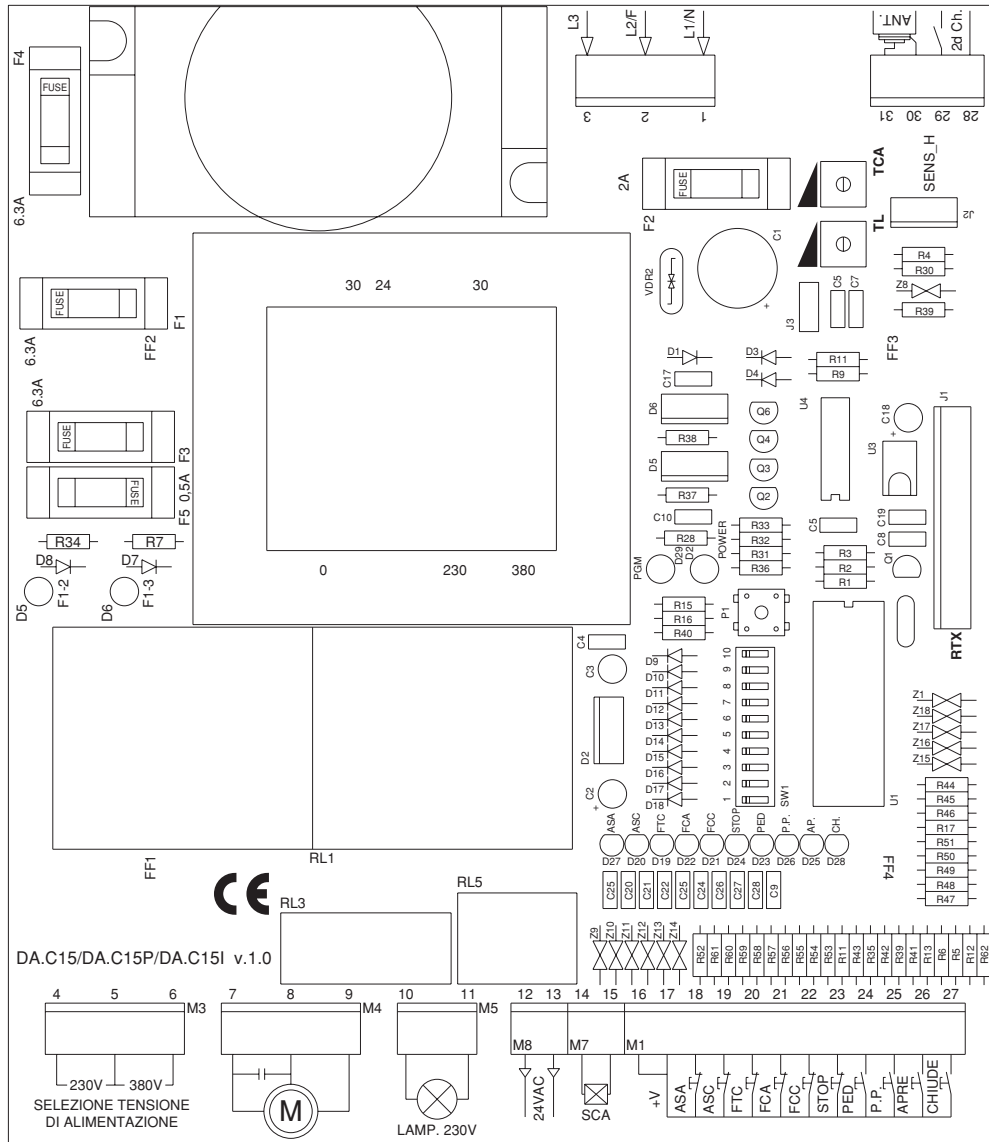
Direttiva sulla bassa tensione (73/23/CEE, 93/68/CEE)
Low voltage guidelines (73/23/EEC, 93/68/EEC)
Tiefe Spannung Richtlinie (73/23/EWG, 93/68/EWG)
Directive bas voltage (73/23/CEE, 93/68/CEE)
Reglamento de bajo Voltaje (73/23/MCE, 93/68/MCE)
Wytyczna odnośnie niskiego napięcia (73/23/EWG,
93/68/EWG)



Benincà Luigi, Responsabile legale.
Sandrigo, 05/10/2005.

BENINCA®

Automatismi Benincà SpA
Via Capitello, 45
36066 Sandrigo (VI)
ITALIA



DA.C15I Control unit with microcontroller

The "DA.C15I" control unit with microcontroller is suitable for motors with up to 1500W power. If the control unit is powered at 380V, it is advisable to replace the three 6.3A fuses located near the power supply terminal board with the three 4A fuses in the envelope stuck to the central box. On the container, two separate push-buttons are present for the OPEN and CLOSE functions.

Installation instructions.

- a) The electrical installation and functioning logic must comply with current standards.
- b) Keep the power cables (for the motor and power supply) away from the control cables (buttons, photocells, radio). To avoid interference use two separate sheaths (see EN 60204-1 15.1.3).
- c) Check all the connections again before supplying voltage.
- d) Check that the Dip-Switch settings are as required.
- e) When voltage is supplied, the "POWER" led should light up. If this is not the case, check the state of the fuses and whether 230Vac, 50Hz power is present between terminals 1 and 2 (INPUT 230VAC - respect phase/neutral wire position).
- f) The N.C. inputs not used must be connected to the common "+V".
- g) If the direction of the motor rotation is not correct, invert the "OPEN" - "CLOSE" wires of the motor as well as the wires of the "FCA" - "FCC" limit switches.

Input/Output functions

- | | |
|---------|---|
| (1,2,3) | INPUT 230/380VAC= Control unit 230/380Vac, 50Hz power supply
(respect phase/neutral wire position: 1= Neutral or L1,2= Phase or L2,3= L3) |
| (4,5,6) | SELEZIONE TENSIONE DI ALIMENTAZIONE
Connect terminals 4 and 5 if the control unit is powered at 230Vac
Connect terminals 6 and 5 if the control unit is powered at 380Vac |
| (7,8,9) | APRE/CHIUDE/COM= Connection to the corresponding 230/380Vac, 50Hz motor terminals
(the earth wire (green/yellow) must be connected to the motor housing). |
| (10,11) | LAMP230= Connection to the 230Vac blinker. |
| (12,13) | OUT 24VAC= 24Vac auxiliary power supply output (1A max.). |
| (14,15) | SCA= Output "Open gate indicator", 24Vac.
The output of the LED changes according to the status of the control unit: <ul style="list-style-type: none">• Off with gate in the closed position• Slowly flashing during the opening phase• Rapidly flashing during the closing phase• On with gate stopped in the open position |
| (16,17) | +V= Common connection to all the control inputs. |
| (18) | ASA= Input of anti-crash device in the opening phase (normally closed contact): the opening of the contact in the opening phase causes the movement reversion for a few centimetres and then the stopping of the movement. |
| (19) | ASC= Input of anti-crash device in the closing phase (normally closed contact): the opening of the contact in the closing phase causes the movement reversion for a few centimetres and then the stopping of the movement. |
| (20) | FTC= Photocell receiver input (n.c. contact). |
| (21) | FCA= Limit switch input - Opening (n.c. contact). |
| (22) | FCC= Limit switch input - Closing (n.c. contact). |
| (23) | STOP= STOP button input (n.c. contact). |
| (24) | PED= PEDESTRIAN button input (n.o. contact) |
| (25) | P.P.= STEP-by-STEP button input (n.o. contact). |
| (26) | APRE= OPEN button input (n.o. contact). |
| (27) | CHIUDE= CLOSE button input (n.o. contact). |
| (28,29) | ANT.= Input of radio board antenna |
| (30,31) | RX 2CH.= Radio board 2nd channel contact (n.o. contact). |
| J2 | SENS_H= Input for optional anti-crash card "DA.AS"
If this control unit is not used, the central pins 2, 3 should be short-circuited. |

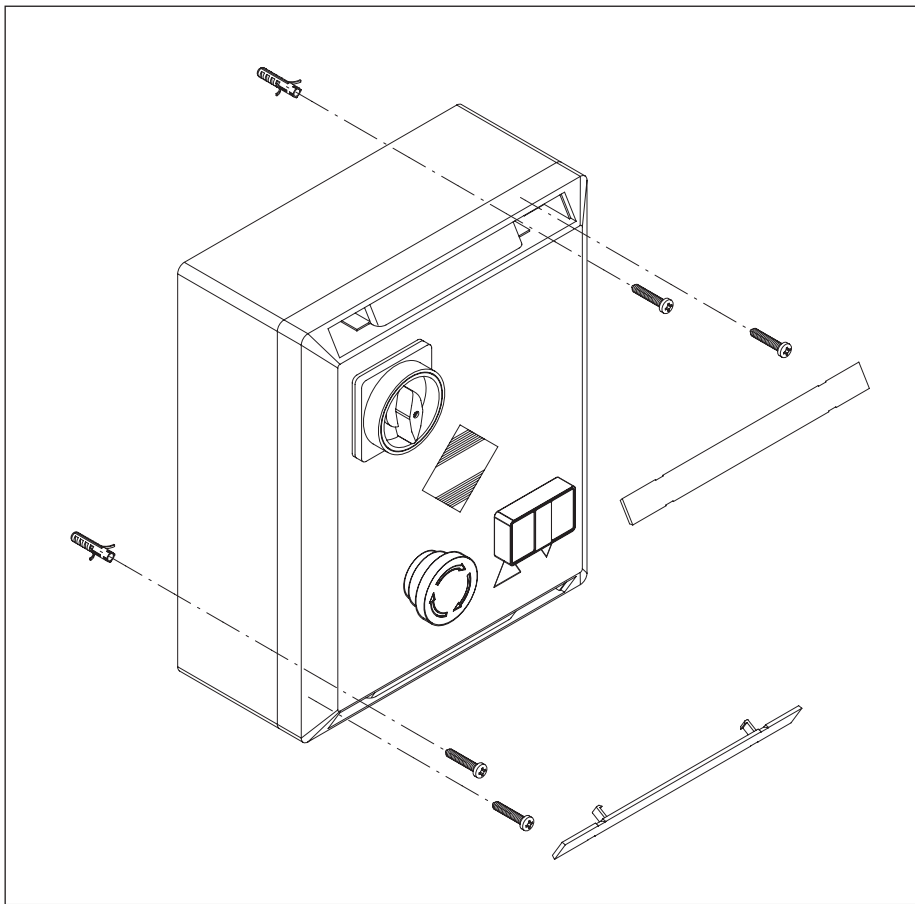
Dip-switch functions

N.B.: Every change of functions have to be done without electricity.

- DSW1** This selects the type of functioning of the P.P. button and Remote control.
Off= "OPEN" - "STOP" - "CLOSE" functioning
On= "OPEN" - "CLOSE" - "OPEN" functioning.
- DSW2** This enables or disables the automatic re-closing.
Off= Automatic re-closing enabled
On= Automatic re-closing disabled
- DSW3** This enables or disables the apartment building function (after the first opening command, the P.P. button and the Remote control are deactivated).
Off= Apartment building function disabled.
On= Apartment building function enabled.
- DSW4** This enables or disables the pre-blinking function
Off= Pre-blinking disabled.
On= Pre-blinking enabled.
- DSW5** This selects the type of intervention of the "FTC" input on opening
Off= No intervention
On= Temporary stop
- DSW6** Select the type of stop controlled by the "P.P." push-button.
Off= The stopping in the opening phase allows the automatic closure (if enabled).
On= The stopping in the opening phase inhibits the automatic closure.
- DSW7** It enables or disables the rounds sensor triggering in the opening phase.
Off= Round sensor triggering enabled.
On= Rounds sensor triggering disabled.
- DSW8** Enables/Disables the reversion of movement controlled by the "ASC" input, after the activation of the closing limit switch. This function permits to connect a sensitive rubber edge on the edge of the gate closing leaf avoiding that the sensitive device causes the movement reversion when the door must be completely closed. The closing limit switch should be positioned so that it is triggered when a few centimetres are missing to the complete closure of the gate.
Off= Enabled: the "ASC" input always controls the movement reversion for some centimetres.
On = Disabled: After the activation of the closure limit switch, the "ASC" input stops the motor.
- DSW9** It enables or disables the "death man" function. Button 26 (open), button 27 (close)
Off= "death man" function disabled
On= "death man" function enabled
- DSW10** Spare.

Trimmer functions

- TCA** This allows the automatic re-closing time to be adjusted when this is enabled by positioning the DSW2 Dip-switch on OFF. Adjustment can be from a minimum of 10 to a maximum of 200 seconds.
The minimum time is obtained by rotating the trimmer completely anticlockwise.
- TL** This allows the working time of the automation to be adjusted. If the limit switches fail, the software protection will intervene after this time has elapsed. (Add about 4 sec. to the actual stroke time of the automation).
Adjustment can be from a minimum of 10 to a maximum of 200 seconds.
The minimum time is obtained by rotating the trimmer completely anticlockwise.



BENINCA®

AUTOMATISMI BENINCA SpA - Via Capitello, 45 - 36066 Sandrigo (VI) - Tel. 0444 751030 r.a. - Fax 0444 759728
