



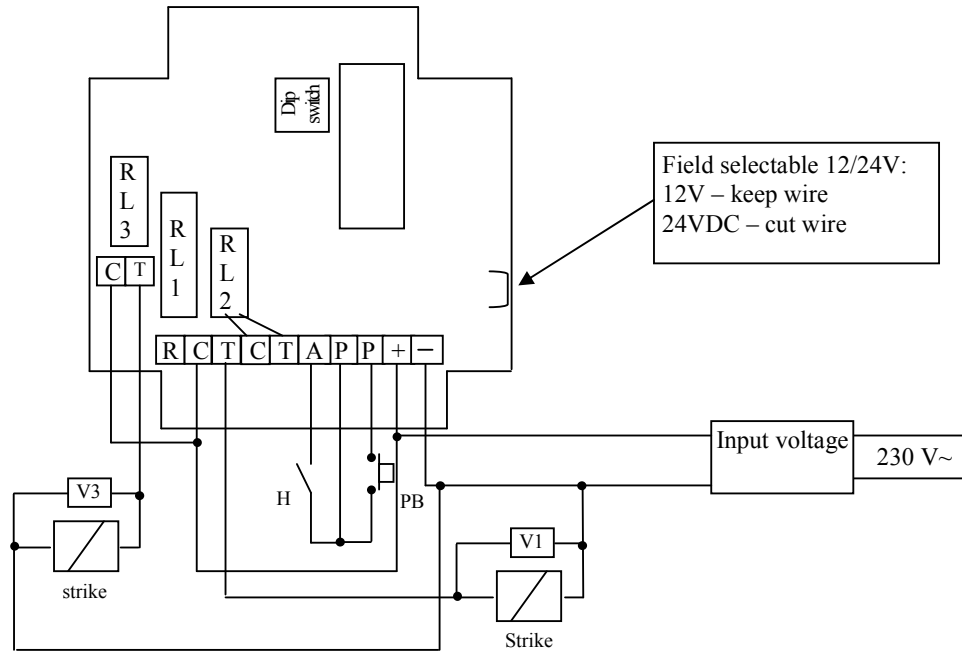
# CBB/PRO100

## STAINLESS STEEL KEYPAD CODE 100 CODES, 3 RELAYS MODIFICATION OF THE CODE BY THE USER

Three groups of relays:

The first group includes 60 user codes from 00 to 59, the second group includes 20 user codes from 60 to 79 and the third group includes 20 user codes from 80 to 99.

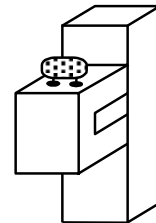
WIRING DIAGRAM AND INSTRUCTION



Field selectable 12/24V:  
12V – keep wire  
24VDC – cut wire

Terminal	functions
R	N/C contact
C	Common
T	N/O contact
P - P	Push button PB
P - A	Timer clock contact for using the «0» key as an external push button
+, -	Input voltage 12-24 DC or 12V AC only.

This device comes with a varistor.  
The varistor must be connected to the strike terminal (electromagnet...) operated by the device.  
If this product works with many strikes, each of them should have a varistor.  
The varistor controls the overload produced by the strike coil – back emf.



If you are using a « Shear Lock » electromagnetic lock, it is recommended to use a separate power supply than the one connected to the **CBB-PRO100!**

Technical specifications

Input voltage	12-24 DC or 12V AC only
Outputs	1 relay output N/O & N/C contacts 8 amps@250 V and 2 relay outputs N/O contact 6 amps@250 V
Operating temperature	-20°C to +50°C
User codes	100 programmable user codes (00 to 99)
User modification code	2-digit user modification code
Master code	4 or 5-digit programmable master code
Code length	Dip-switch n° 2 (ON for 4-digit code, OFF for 5-digit code)
Push button	1 Request-to-exit and 1 external push button “0” key (controlled by the timer contact)
Front panel	12-digit keypad, 2 LED's

Default values

Relay time delay:	1 second
Key-in keypad and lit delay:	10 seconds
Programming delay:	120 seconds (2 minutes)
User Modification Code:	* and # or A and B for relay 1 13 for relay 2 46 for relay 3

User codes

All the digit keys can be used to program a user code (0 to 9, \* and # or A and B).  
 The master code cannot be used as a user code.  
 The 4-digit code 0000 and the 5-digit code 00000 are used to delete an existing user code, therefore cannot be used as user codes.

Push buttons

The request-to-exit button activates the relay (the relay can be programmed in momentary or latched time output).

The contact of the timer allows you to program the « 0 » key as an external button (trades):  
 Contact of the timer opened and dip-switch n°3 in position ON - « 0 » digit external push button,  
 Contact of the timer closed - « 0 » in normal mode

Dip-switches

DIP-SWITCH	ON	OFF
1	Programming of the master code enabled	Programming disabled
2	4-digit user code	5-digit user code
3	Programming by the user disabled	Programming enabled
4	Programming by keypad disabled	Programming enabled

### Setting a new master code

1. Select the user code length with dipswitch n°2 (ON for a 4-digit code or OFF for a 5-digit code).
2. Put dipswitch n° 1 ON.
3. The red LED lights on to confirm entry in programming mode.
4. Enter the 4 or 5-digit master code (according to dip-switch n° 2) for a new master code.
5. The red LED goes off for 1 second to confirm that the new master code is accepted.
6. Put back dipswitch n° 1 on OFF position to exit from programming mode and go back to standby mode.

The red LED starts flashing if there is a data computing error.

### Setting user codes and time delay

1. Put dipswitch n° 4 OFF (The programming from the keypad is enabled).
2. Enter the master code twice. The red LED illuminates to confirm entry in programming mode.
3. Enter the user number (from 00 to 59 to operate relay 1) or (from 60 to 79 to operate relay 2) or (from 80 to 99 to operate relay 3), then the 4 or 5-digit user code (see programming board). The red LED goes off for one second to confirm that the code has been accepted.
4. Enter \* 1 or A1 (for door relay 1), then the time delay in second – 01 for 1 second up to 99 for 99 seconds. For a latched output enter 00.
5. Enter \* 2 or A2 (for door relay 2), then the time delay in second – 01 for 1 second up to 99 for 99 seconds. For a latched output enter 00.
6. Enter \* 3 or A3 (for door relay 3), then the time delay in second – 01 for 1 second up to 99 for 99 seconds. For a latched output enter 00.

### **Do not use the latched output in 24V!**

The red LED goes off for 1 second to confirm that the time delay has been accepted.

Enter \* 0 or A0 (keypad time delay), then the time in seconds – 10 for 10 seconds up to 99 for 99 seconds. The red LED goes off for 1 second to confirm that the time delay has been accepted.

7. Enter \* 9 or A9 (user modification code for relay 1, user number 00 to 59), then the 2-digit of the new user modification code. The red LED goes off for 1 second to confirm that the user modification code is accepted.
8. Enter \* 8 or A8 (user modification code for relay 2, user number 60 to 79), then the 2-digit of the new user modification code. The red LED goes off for 1 second to confirm that the user modification code is accepted.
9. Enter \* 7 or A7 (user modification code for relay 3, user number 80 to 99), then the 2-digit of the new user modification code. The red LED goes off for 1 second to confirm that the user modification code is accepted.
10. Press # or B. The red LED goes off to confirm that the keypad is back to a standby mode.
11. Put dipswitch n° 4 back ON (to disable programming from keypad).

In use

When a valid code is entered, the green LED lights on and the relay is activated during the time delay that was set (see setting time delay).

If the user code entered belongs to the user number between 00 and 59, relay 1 is activated.

If the user code entered belongs to the user number between 60 and 79, relay 2 is activated.

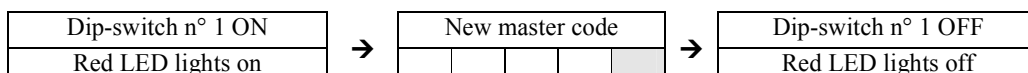
If the user code entered belongs to the user number between 80 and 99, relay 3 is activated.

For a latched output time enter 00. When a valid code is entered the relay stays activated until the code is entered again)

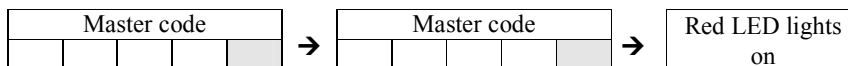
### Setting user codes

To set a new master code:

Set the code length by selecting the position on dipswitch n° 2 (ON for a 4-digit code, OFF for a 5-digit code).



- To set new user codes. Put dipswitch No 4 OFF.



User number and user codes

00					
04					
08					
12					
16					
20					
24					
28					
32					
36					
40					
44					
48					
52					
56					
60					
64					
68					
72					
76					
80					
84					
88					
92					
96					
01					
05					
09					
13					
17					
21					
25					
29					
33					
37					
41					
45					
49					
53					
57					
61					
65					
69					
73					
77					
81					
85					
89					
93					
97					
02					
06					
10					
14					
18					
22					
26					
30					
34					
38					
42					
46					
50					
54					
58					
62					
66					
70					
74					
78					
82					
86					
90					
94					
98					
03					
07					
11					
15					
19					
23					
27					
31					
35					
39					
43					
47					
51					
55					
59					
63					
67					
71					
75					
79					
83					
87					
91					
95					
99					

Time delay relay 1	
* 1 or A1	

Key-in keypad delay	
* 0 or A0	

User modification code	
* 9 or A9	



Time delay relay 2		
* 2 or A2		

User modification code		
* 8 or A8		

Time delay relay 3		
* 3 or A3		

User modification code		
* 7 or A7		

Press # to exit from programming mode. The red LED goes off, indicating that you are back to operating mode. Put dipswitch No.4 ON.

Operator:		Date:
Building:		
N°:	Street:	
City:		
Other information:		

### Changing a user code by the user

Put dipswitch No. 3 ON to **disable** the modification of a code by the user or put dipswitch OFF to **enable** the modification of a code by the user.

1. Enter the user code. The green LED lights and the relay is activated.
2. Enter **immediately** the 2-digit user modification code (\* and # or A and B for relay 1, or 1 and 3 for relay 2, or 4 and 6 for relay 3). The red LED lights to confirm entry in programming mode.
3. Enter the new user code twice. The red LED goes off to confirm that the new user code is accepted.
4. Enter the new user code for testing it. The relay is activated.

If the new user code is not entered correctly, four beeps sound to confirm that the modification is not done.