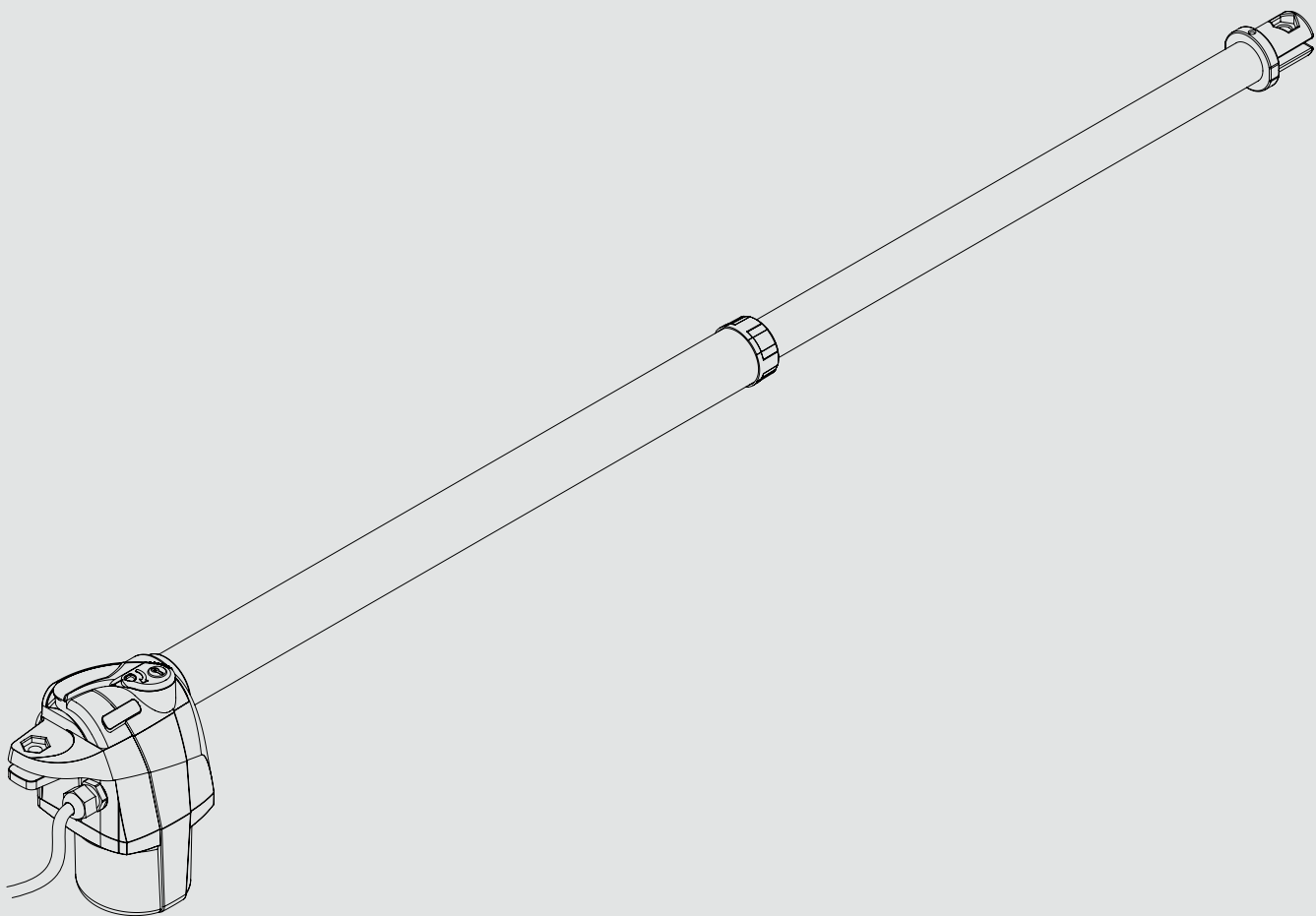


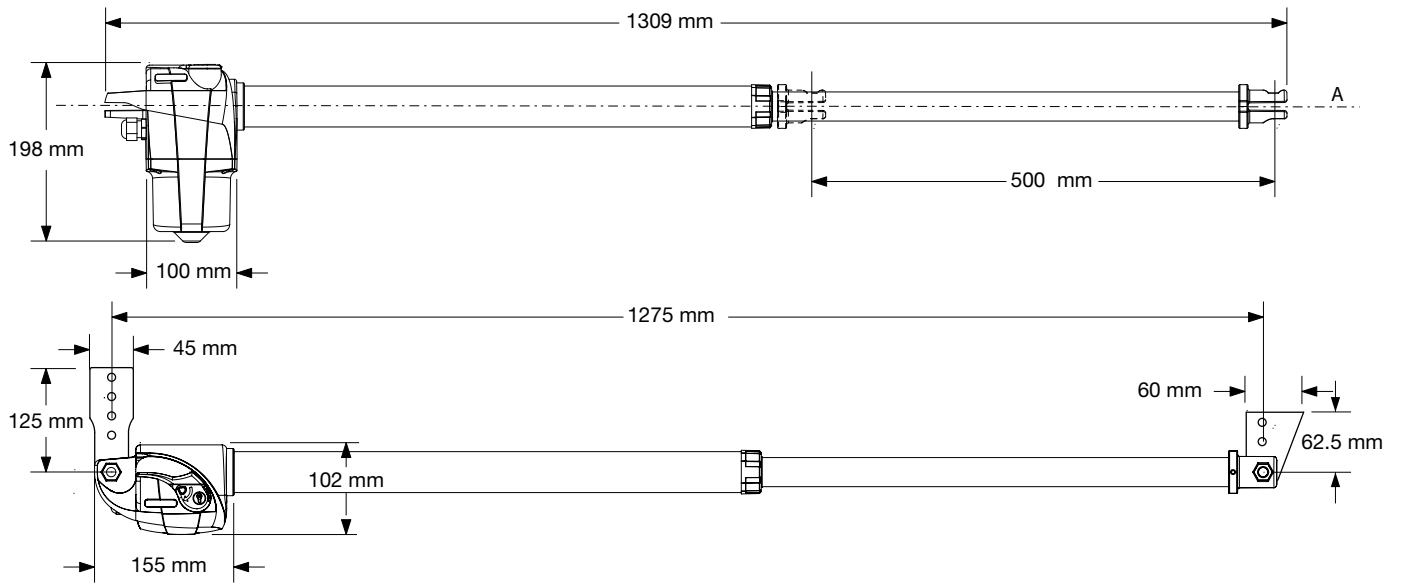
BILL50



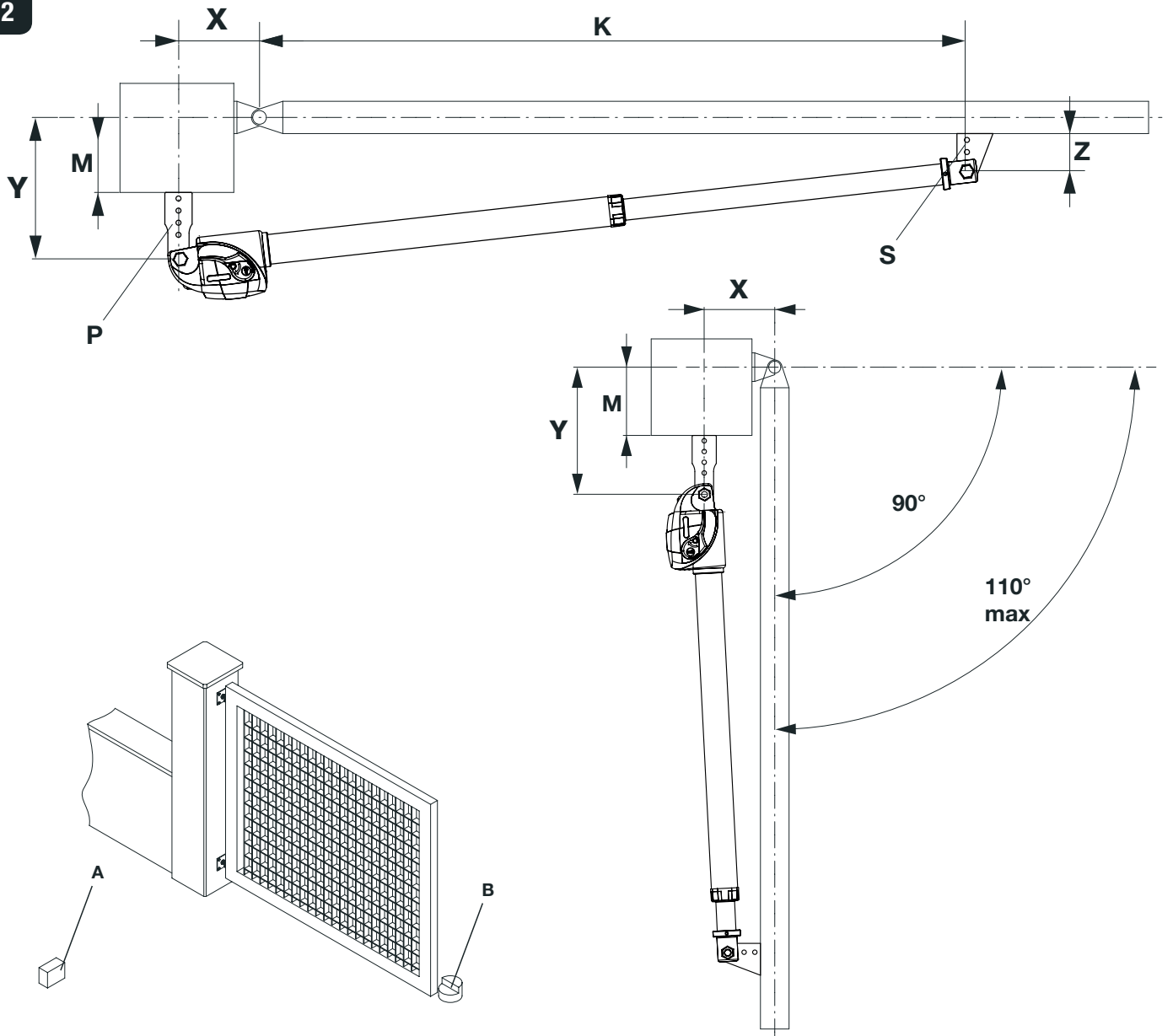
BENINCA[®]
TECHNOLOGY TO OPEN



1



2



3

Apertura max Max Opening Max. Öffung Ouverture max Abiertura max.	X	Y	Z	K	M max.	Tempo apertura / Opening time Öffungszeit / Temps d'ouverture Tiempo de abertura / Prędkość kątowna	
						BILL 50 M BILL 50MA	BILL 5024
90° 100° 110°	120	120	35	1154	80	16" 17,5" 18,5"	13" 14" 15"
90° 100° 110°	160	160	35	1111	115	21,5" 23,5" 25"	17" 19" 20"
90° 100° 110°	200	200	35	1067	150	26,5" 29" 31"	21,5" 23,5" 25"
90° 100°	230	230	35	1033	175	30,5" 33,5"	24,5" 27"
90°	250	250	35	1010	190	33"	26,5"

I tempi di apertura sono da considerare indicativi, in quanto dipendenti dalle condizioni di installazione.

Per ante superiori a mt. 4.00 è indispensabile l'utilizzo dell'elettroserratura.

The opening time is to be deemed as indicative as they depend on installation conditions.

For gate leaves wider than 4.00 m, an electric lock is required.

Die Öffnungszeiten sind als Orientierungshilfe zu verstehen, da sie von den Installationsbedingungen abhängig sind.

Bei Flügeln von mehr als 4.00 m Länge muss ein Elektroschloss verwendet werden.

Les temps d'ouverture doivent être considérés indicatifs, car ils dépendent des conditions d'installation.

Pour vantaux supérieurs à mt. 4.00 il faut utiliser une serrure électrique.

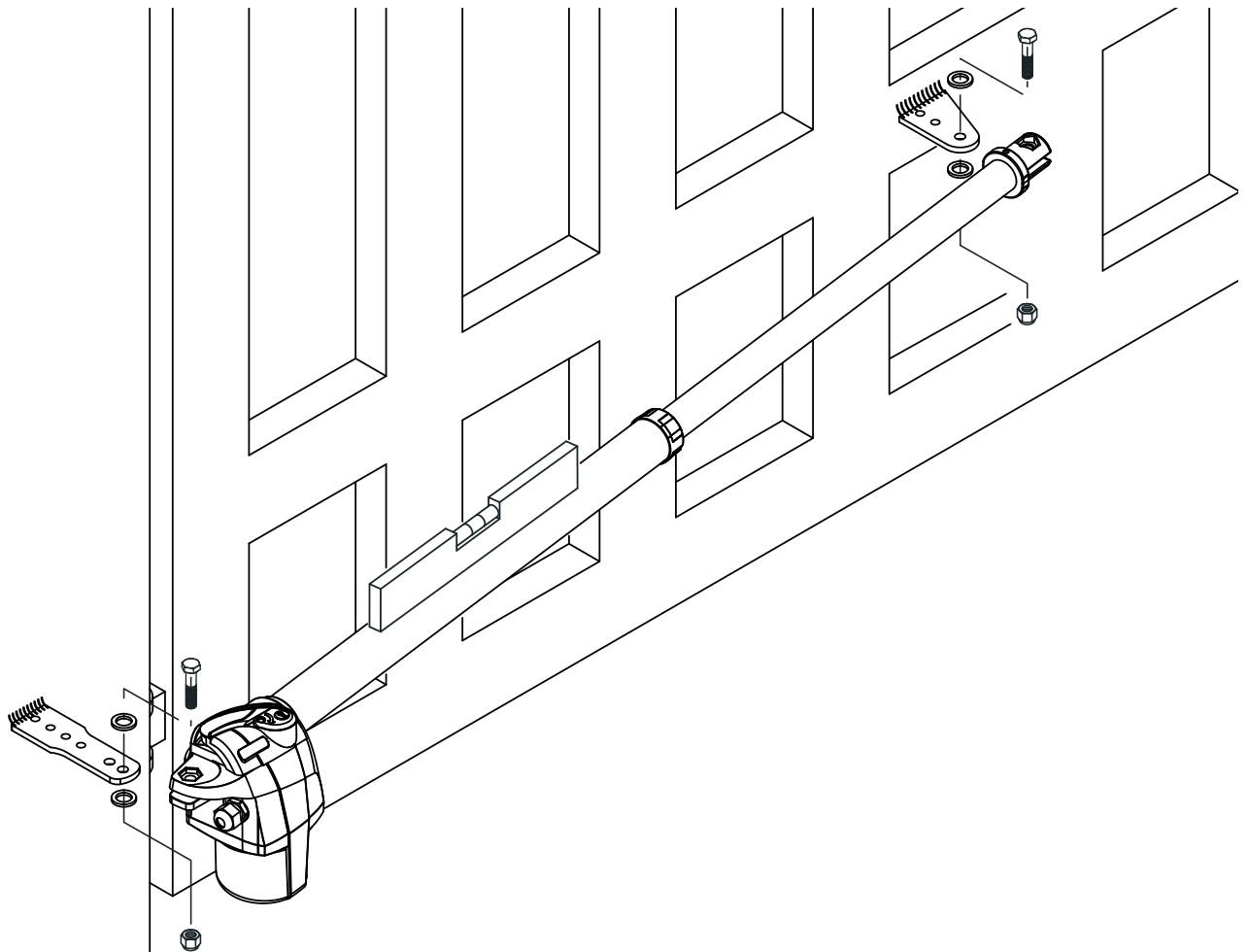
Los tiempos de apertura son a considerar como aproximados ya que dependen de las condiciones de instalación.

Para hojas de más de mt. 4.00 es indispensable utilizar la cerradura eléctrica.

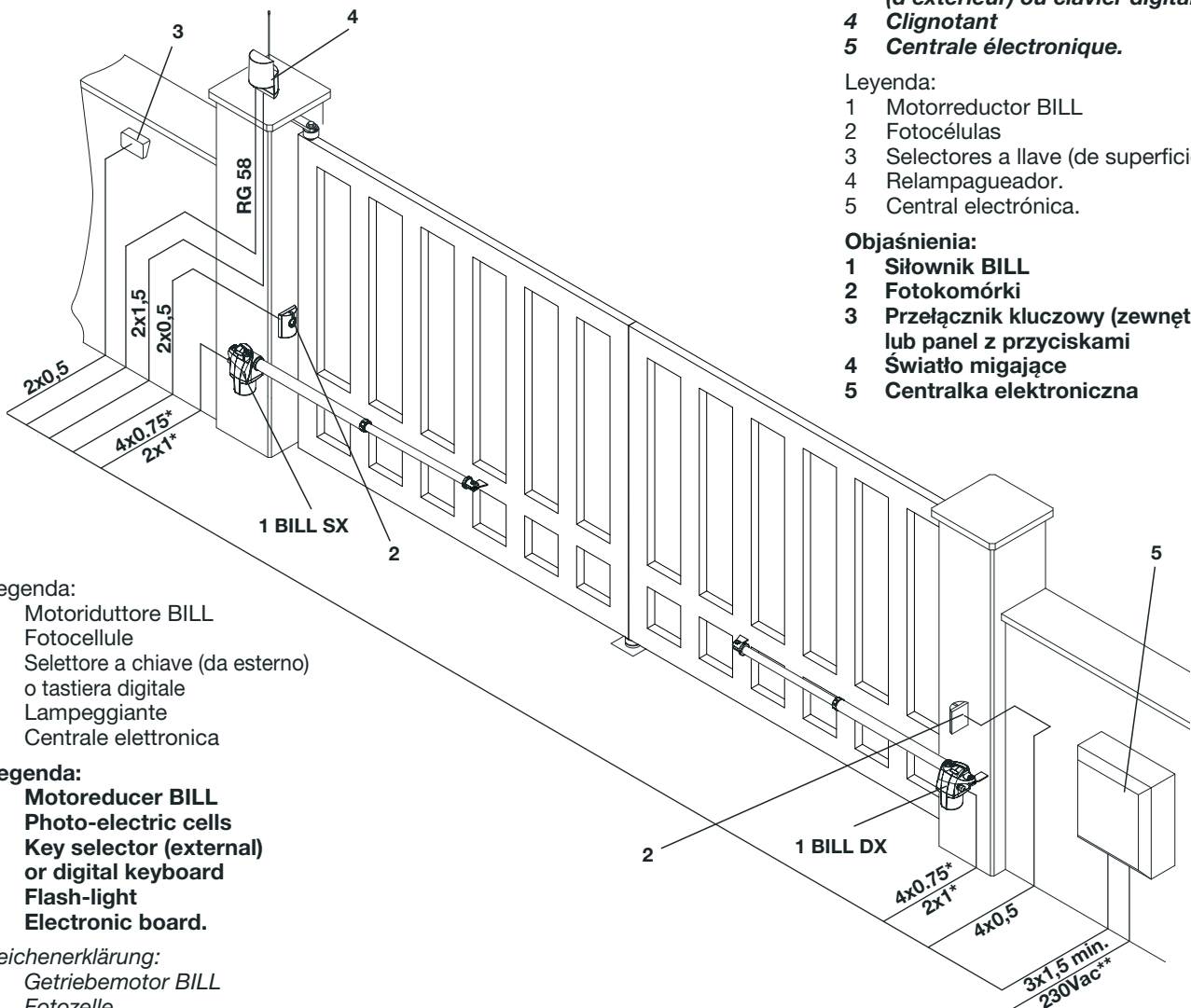
Podany czas otwierania należy uważać za orientacyjny, gdyż zależy on od warunków instalacyjnych.

Dla skrzydeł o długości przekraczającej 4.00 m należy użyć elektrycznego zamka.

4



Collegamenti elettrici / **Wire diagram** / *Elektrische Anschlüsse*
Branchements électriques / Conexiones eléctricas / **Połączenia elektryczne**

**Légende:**

- 1 Moteur-réducteur BILL
- 2 Photocellule
- 3 Selecteur à clé (d'extérieur) ou clavier digital
- 4 Clignotant
- 5 Centrale électronique.

Legenda:

- 1 Motorreductor BILL
- 2 Fotocélulas
- 3 Selectores a llave (de superficie).
- 4 Relampagueador.
- 5 Central electrónica.

Objaśnienia:

- 1 Siłownik BILL
- 2 Fotokomórki
- 3 Przełącznik kluczowy (zewnątrzny) lub panel z przyciskami
- 4 Światło migające
- 5 Centralka elektroniczna

Legenda:

- 1 Motoriduttore BILL
- 2 Fotocellule
- 3 Selettore a chiave (da esterno) o tastiera digitale
- 4 Lampeggiante
- 5 Centrale elettronica

Legenda:

- 1 Motoreducer BILL
- 2 Photo-electric cells
- 3 Key selector (external) or digital keyboard
- 4 Flash-light
- 5 Electronic board.

Zeichenerklärung:

- 1 Getriebemotor BILL
- 2 Fotozelle
- 3 Schlüssel-Selektor (außenliegend) oder Digital-Tastatur
- 4 Blinker I
- 5 Elektroschrank.

*Tenere separati i cavi di potenza da quelli ausiliari.

BILL 50: Utilizzare un cavo 4x0,75mm²

BILL 5024: Per una lunghezza cavo inferiore a 5m utilizzare un cavo 2x1mm².

Per un lunghezza cavo da 5m fino a 10m utilizzare un cavo 2x2mm². Collegamenti tra centrale e motore di lunghezza superiore ai 10m sono sconsigliati.

** 115 Vac per la versione BILL30MA.

The power cables must be kept separated from the auxiliary cables.

BILL 50: Use a 4x0.75mm² cable

BILL 5024: With cables less than 5m long, use a 2x1mm² cable. With cables with a length ranging from 5 to 10 m, use a 2x2mm² cable. Connecting cables between control unit and motor longer than 10m are not recommended.

**** 115 Vac for the BILL50MA model.**

Leistungskabel von Hilfskabeln getrennt halten.

BILL 50: ein Kabel 4x0,75mm² verwenden

BILL 5024: Bei einer Kabellänge von weniger als 5 m muss ein Kabel 2x2,5mm² verwendet werden. Bei einer Länge von 5 m bis 10 m muss ein Kabel 2x2mm² verwendet werden. Anschlüsse zwischen Zentrale und Motor in einem größeren Abstand als 10 m sind nicht zu empfehlen.

*** 115 Vac für Ausführung BILL50MA.*

Séparer les câbles de puissance des câbles auxiliaires.

BILL 50: Utiliser un câble de 4x0,75mm²

BILL 5024: Si le câble a une longueur inférieure à 5m utiliser un câble de 2x1mm². Pour un câble de longueur entre 5m et 10m utiliser un câble de 2x2mm². Tout branchement entre la centrale et le moteur ayant une longueur supérieure à 10m est déconseillé.

**** 115 Vac pour la version BILL 50MA.**

Tener separados los cables de potencia de los auxiliares.

BILL 50: Utilizar un cable 4x0,75mm²

BILL 5024: Para un cable largo menos de 5m utilizar un cable 2x1mm². Para un cable largo entre 5m y 10m utilizar un cable 2x2mm². Se desaconsejan las conexiones entre la central y el motor de más de 10m de longitud.

** 115 Vac para la versión BILL50MA.

Należy trzymać w oddali przewody zasilania od przewodów pomocniczych.

BILL 50: Użyć kabla 4x0,75mm²

BILL 5024: Jeżeli długość nie przekracza 5m użyć kabla 2x1mm². W przypadku długości w przedziale od 5 do 10 m użyć kabla 2x2mm². Zaleca się, aby połączenia między silnikiem a centralką nie przekraczały 10m.

**** 115 Vac dla wersji BILL50MA.**

EC Declaration of Conformity

Directive 2004/108/EC(EMC); 2006/95/EC (LVD)

Manufacturer: **Automatismi Benincà SpA.**

Address: Via Capitello, 45 - 36066 Sandrigo (VI) - Italia

Herewith declares that: the operator for hinged gates model **BILL 50M - BILL 50MA.**

is complying with provisions set forth by the following other EC Directive:

- DIRECTIVE 2004/108/EC OF THE EUROPEAN PARLIAMENT AND OF THE COUNCIL of 15 December 2004, on the harmonisation of the laws of Member States relating to electromagnetic compatibility and which cancels Directive 89/336/EEC, according to the following harmonised regulations: EN 61000-6-2:2005, EN 61000-6-3:2007.
- DIRECTIVE 2006/95/EC OF THE EUROPEAN PARLIAMENT AND OF THE COUNCIL of 12 December 2006, on the harmonisation of the laws of Member States relating to electrical equipment designed for use with certain voltage limits, according to the following harmonised regulations: EN 60335-1:2002 + A1:2004 + A11:2004 + A12:2006 + A2:2006 + A13:2008; EN 60335-1-103:2003.

Benincà Luigi, Legal responsible.
Sandrigo,10/04/2011.



EC Declaration of Conformity

Directive 2004/108/EC(EMC); 2006/95/EC (LVD)

Manufacturer: **Automatismi Benincà SpA.**

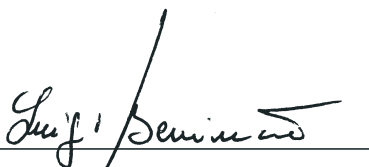
Address: Via Capitello, 45 - 36066 Sandrigo (VI) - Italia

Herewith declares that: the operator for hinged gates model **BILL 5024.**

is complying with provisions set forth by the following other EC Directive:

- DIRECTIVE 2004/108/EC OF THE EUROPEAN PARLIAMENT AND OF THE COUNCIL of 15 December 2004, on the harmonisation of the laws of Member States relating to electromagnetic compatibility and which cancels Directive 89/336/EEC, according to the following harmonised regulations: EN 61000-6-2:2005, EN 61000-6-3:2007.

Benincà Luigi, Legal responsible.
Sandrigo,10/04/2011.



WARNING

The product shall not be used for purposes or in ways other than those for which the product is intended for and as described in this manual. Incorrect uses can damage the product and cause injuries and damages.

The company shall not be deemed responsible for the non-compliance with a good manufacture technique of gates as well as for any deformation, which might occur during use.

Keep this manual for further use.

Qualified personnel, in compliance with regulations in force, shall install the system.

Packaging must be kept out of reach of children, as it can be hazardous. For disposal, packaging must be divided the various types of waste (e.g. carton board, polystyrene) in compliance with regulations in force.

The installer must supply all information on the automatic, manual and emergency operation of the automatic system and supply the end user with instructions for use.



An omnipolar switch/section switch with remote contact opening equal to, or higher than 3mm must be provided on the power supply mains.. Make sure that before wiring an adequate differential switch and an overcurrent protection is provided.

Pursuant to safety regulations in force, some types of installation require that the gate connection be earthed.

During installation, maintenance and repair, cut off power supply before accessing to live parts.

Descriptions and figures in this manual are not binding. While leaving the essential characteristics of the product unchanged, the manufacturer reserves the right to modify the same under the technical, design or commercial point of view without necessarily update this manual.

Introduction

Electromechanical operator to activate swing gates, available in the following models:

BILL50M: with motor powered at 230 VAC.

BILL50MA: with motor powered at 115 VAC.

BILL5024: with motor powered at 24 VDC.

For every model, the RGHT (DX) version is also available to install the system on the right gate leaf, and the LFT (SX) version is available for installation on the left gate leaf.

In case of doubt, as shown in the instruction manual, the wording DX (right) or SX (left), which identifies the different models, can be seen by opening the release handle.

For simplicity reasons, this manual shows the SX motor for left gate leaves. For the DX (right) versions, installation dimensions and instructions are the same.

The main dimensions are shown in Fig. 1.

- Before installing the system, read the instruction herein.
- It is mandatory not to use the BILL 50 item for applications different from those indicated in the instructions herein.
- Supply the end user with instructions for using this system.
- The end user should receive special instruction manual.
- All Benincà items are covered by an insurance policy for damages and injuries caused by manufacture faults. It is however required that the machine bear the CE marking and original Benincà parts be used.

General information

To ensure a good operation of these automatic devices, the gate to be automated should meet the following

requirements:

- good strength and stiffness.
- hinges should have a minimum backlash and allow for smooth and regular manual operations.
- when closed, the gate leaves should correctly overlap for their entire height.

Warning: BILL50 is not equipped with electric limit switches or mechanical stoppers. It is mandatory that the gate leaf be equipped with mechanical stoppers fitted to the ground (Fig.2 ref. A and B).

Operating limits

The following tables show the permitted maximum weight and width figures of the gate leaves.

BILL 50M / BILL 50MA

Max gate leaf weight (kg)	250	350	400	500	600	700
Max gate leaf (m)	5,0	4,5	4,0	3,5	3,0	2,5

BILL 5024

Max gate leaf weight (kg)	200	300	350	450	500	600
Max gate leaf (m)	5,0	4,5	4,0	3,5	3,0	2,5

IMPORTANT: For gate leaves wider than 4.00 mt, an electric lock is required.

How to install the system

- 1) Define the height of the system from ground (the most centred possible with respect to the main door and corresponding to a rugged crossbeam).
- 2) Weld the P plate, taking account of figures X and Y of Fig. 2/3.
- 3) Release the actuator, as shown in the instruction manual. When the gate is closing, temporarily lock the S* bracket by keeping the K measure as per Fig. 2/3. In these conditions, the actuator must not be positioned entirely at end of stroke, but 10mm extra-stroke should

be still available.

By manually opening the gate leaf, check that the actuator does not hit the leaf or the pillar.

4) Only after this check, carry out the final welding of the S bracket. The actuator should be perfectly flat.

Important: the respect of dimensions indicated in Fig. 3 ensures the optimal operation of the automatic system. These different dimensions may cause malfunctions.

In any case, the manufacturer shall be held unharmed with respect to damages caused by the non-respect of the dimensions indicated.

If it is not possible to carry out welding, adjustable brackets, which can be mounted by using screws (art B.SR), are available as optional accessory.

Fix the actuator to the bracket by means of screws and nuts supplied. Use washers as shown in Fig. 4.

Note: The difference between measures X and Y shall be never exceed 40mm. Greater differences cause the unsmooth movement of the gate.

Dimensions M and X should be carefully checked to avert that the actuator hits the pillar (dim. M) or the leaf (dim. Z).

The total stroke of the actuator is around 520mm. The stroke, however, cannot be entirely used. An extra stroke of around 10 mm should be always provided both in the closing and opening phases.

** In the BILL 50 geared motor, the difference in height of brackets P and S shall be nil. These brackets should be therefore fitted at the same height (Fig. 1, ref. A)*

Wire connections

BILL 50 is supplied with a pre-cabled wire, around 80 cm long, to be connected to the junction box fitted to the pillar.

BILL 50:

In the 230V model, the cable includes 4 terminals:

BLACK Gear 1
BROWN Gear 2
GREY Motor, common
Yellow/Green Earth

BILL 5024:

In the 24V model, the cable includes 2 terminals (BLUE/ BROWN)

Note:

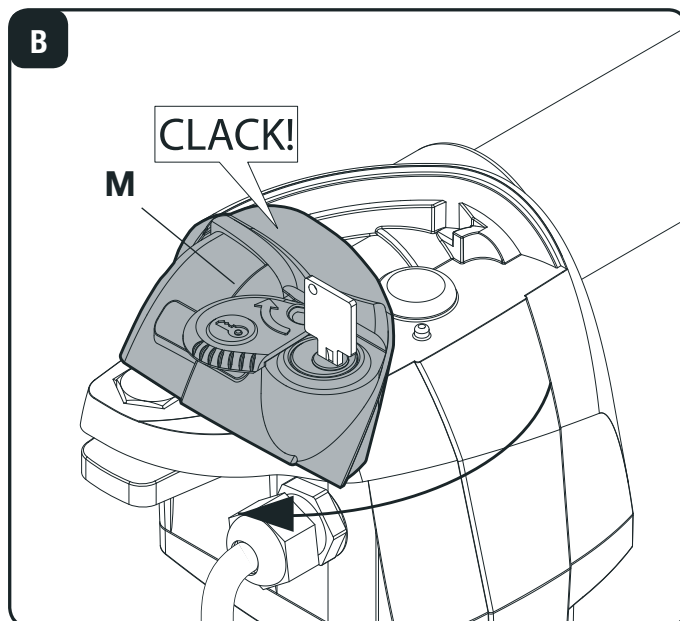
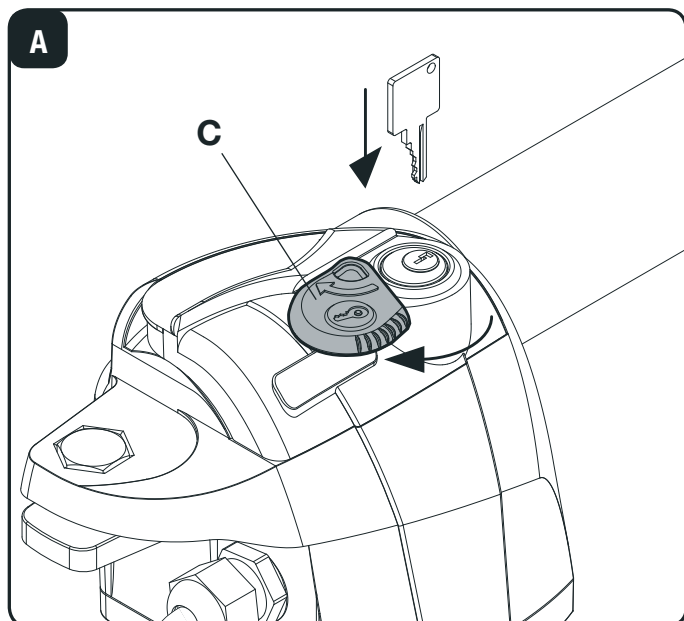
The motor cable shall be replaced only by an authorised assistance centre.

IT IS MANDATORY to connect the system to ground by using the special GND terminal, as provided by regulations in force.

WARNING

The insurance policy, which covers any damages or injuries caused by manufacture faults, requires that the installation comply with regulations in force and Benincà original accessories be used.

TECHNICAL DATA	BILL 50M	BILL 50MA	BILL 5024
Motor power supply	230Vac 50/60Hz	115 Vac 50/60Hz	24Vdc
Consumption	1,35 A	2,7 A	5 A
Max. thrust	3200 N	3200 N	2000 N
Operating jogging	30 %	30 %	Heavy duty
Protection level	IP54		
Operating temperature	-20°C / +50°C		
Capacitor	10 µF	36 µF	-
Useful stroke	500 mm		
Noise	<70 dB		
Lubrication	Permanent grease		
Weight	7,1 kg	7,1 kg	5,5 kg



ITALIANO

Norme di sicurezza

- Non sostare nella zona di movimento della porta.
- Non lasciare che i bambini giochino con i comandi o in prossimità delle ante.
- In caso di anomalie di funzionamento non tentare di riparare il guasto ma avvertire un tecnico specializzato.

Manovra manuale e d'emergenza

In caso di mancanza dell'energia elettrica o di guasto, per azionare manualmente le ante procedere come segue:

- ruotare lo sportellino copri serratura (fig. A - rif. C);
- Inserire la chiave di sblocco fornita in dotazione e ruotarla di 90°, in senso antiorario per il motore a sinistra in senso orario per il motore a destra;
- ruotare la maniglia di sblocco come indicato in figura B (rif. M); la leva ha una posizione iniziale di stop, che va oltrepassata (clack!) per iniziare ad agire effettivamente sullo sblocco meccanico;
- portare la leva in posizione di completa apertura (circa 90° di rotazione) nella parte finale la leva opporrà una leggera resistenza.
- è ora possibile manovrare manualmente l'anta;
- per ripristinare il funzionamento automatico, riportare la maniglia nella posizione iniziale, ruotare la chiave di 90° e richiudere lo sportellino copri-serratura.

Manutenzione

- Controllare periodicamente l'efficienza dello sblocco manuale di emergenza.
- Astenersi assolutamente dal tentativo di effettuare riparazioni, potreste incorrere in incidenti; per queste operazioni contattare un tecnico specializzato.
- L'attuatore non richiede manutenzioni ordinarie, tuttavia è necessario verificare periodicamente l'efficienza dei dispositivi di sicurezza e le altre parti dell'impianto che potrebbero creare pericoli in seguito ad usura.

Smaltimento



Come indicato dal simbolo a lato, è vietato gettare questo prodotto nei rifiuti domestici in quanto alcune parti che lo compongono potrebbero risultare nocive per l'ambiente e la salute umana, se smaltite scorrettamente. L'apparecchiatura, pertanto, dovrà essere consegnata in adeguati centri di raccolta differenziata, oppure riconsegnata al rivenditore al momento dell'acquisto di una nuova apparecchiatura equivalente. Lo smaltimento abusivo del prodotto da parte dell'utente comporta l'applicazione delle sanzioni amministrative previste dalla normativa vigente.

Attenzione

Tutti i prodotti Benincà sono coperti da polizza assicurativa che risponde di eventuali danni a cose o persone causati da difetti di fabbricazione, richiede però la marcatura CE della "macchina" e l'utilizzo di componenti originali Benincà.

Safety rules

- Do not stand in the movement area of the door.
- Do not let children play with controls and near the door.
- Should operating faults occur, do not attempt to repair the fault but call a qualified technician.

Manual and emergency operation

In the event of power failure or faults, the gate can be manually operated as follows:

- turn the door covering the lock (Fig. A. – ref. C);
- Introduce the release key supplied and turn it by 90° anti-clockwise for the left motor, and clockwise for the right motor;
- turn the release handle, as indicated in figure B (ref. M); the lever has a stop initial position that must be overcome (click to be heard) to actually act on the mechanical release;
- move the lever to totally open position (around 90° rotation). Towards the end, the lever movement will be slightly stiffer.
- the gate leaf can be opened or closed by hand;
- to reset the automatic operation, move the handle to the initial position, turn the key by 90° and close the door covering the lock.

Maintenance

- Every month check the good operation of the emergency manual release.
- It is mandatory not to carry out extraordinary maintenance or repairs as accidents may be caused. These operations must be carried out by qualified personnel only.
- The operator is maintenance free but it is necessary to check periodically if the safety devices and the other components of the automation system work properly. Wear and tear of some components could cause dangers.

Waste disposal

As indicated by the symbol shown, it is forbidden to dispose this product as normal urban waste as some parts might be harmful for environment and human health, if they are disposed of incorrectly. Therefore, the device should be disposed in special collection platforms or given back to the reseller if a new and similar device is purchased. An incorrect disposal of the device will result in fines applied to the user, as provided for by regulations in force.

Warning

All Benincá products are covered by insurance policy for any possible damages to objects and persons caused by construction faults under condition that the entire system be marked CE and only Benincá parts be used.

Sicherheitsvorschriften

- Nicht im Öffnungsbereich verweilen.
- Kinder nicht mit den Steuerungen oder in der Nähe des Tores spielen lassen.
- Bei Funktionsausfällen nicht versuchen, den Schaden selber zu beheben, sondern den Techniker rufen.

Hand- und Notbedienung

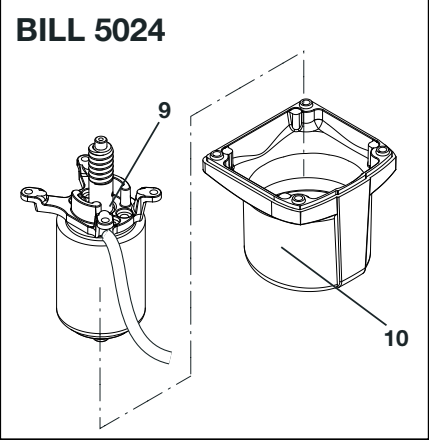
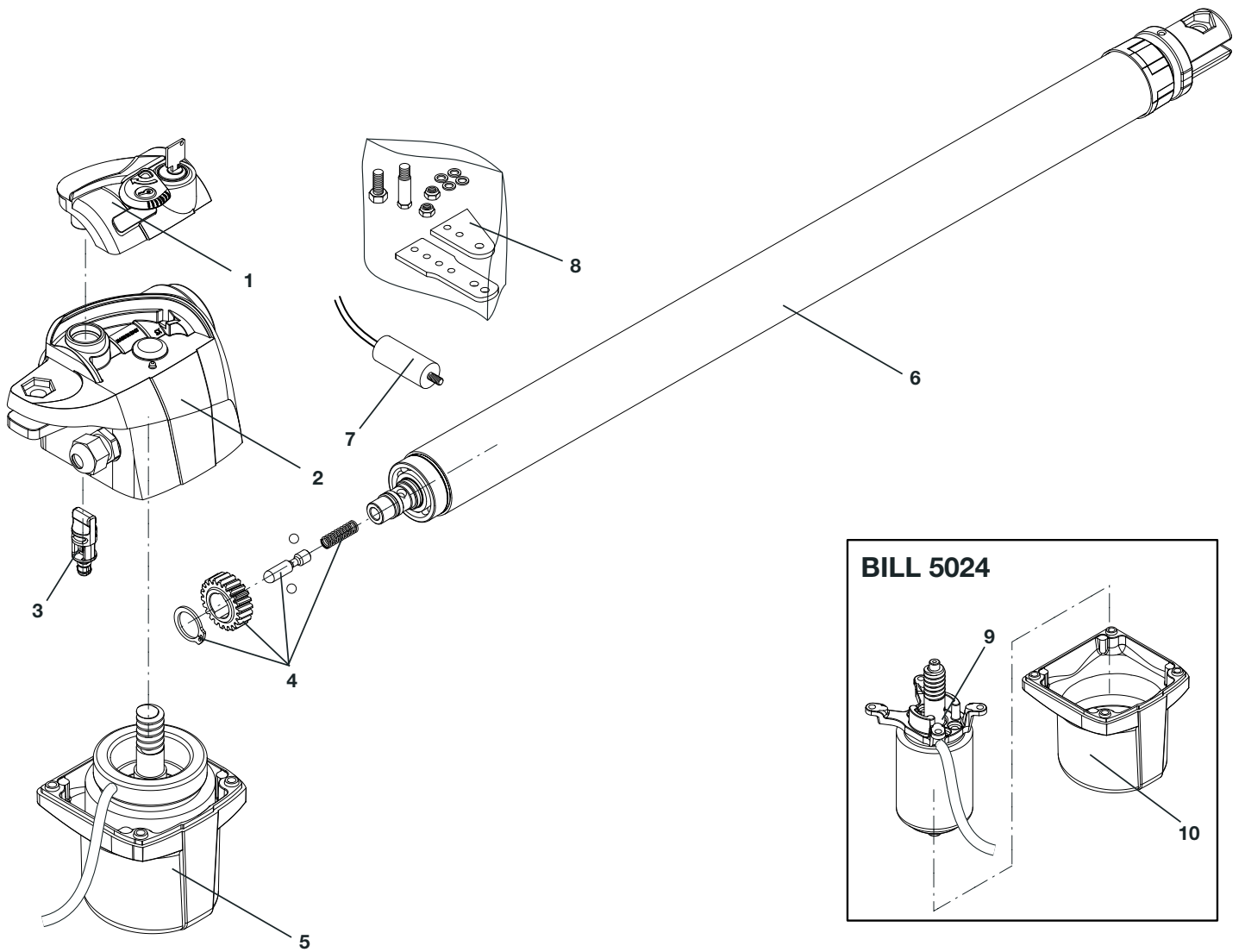
Bei einem Stromausfall oder im Falle einer Störung, kann der Torflügel folgendermaßen von Hand gesteuert werden:

- Die Schloss-Verschlussklappe nach außen drehen (Abb. A, Ref. C)
- Den speziellen Entsicherungsschlüssel (mitgeliefert) einstecken und um 90° gegen den Uhrzeigersinn bei linkem Motor oder im Uhrzeigersinn bei rechtem Motor drehen
- Den Entsicherungsriff wie in Abbildung B (Ref. M) gezeigt, drehen. Der Hebel hat eine Ausgangs- bzw. Stopposition, die überschritten werden muss (Klick!), um die Mechanik zu entsichern.
- Den Hebel vollkommen öffnen (um ca. 90° drehen). Gegen Ende ist ein leichter Widerstand zu bemerken.
- Nun kann der Torflügel von Hand geöffnet bzw. geschlossen werden.
- Um den automatischen Betrieb wieder herzustellen, den Hebel in die Ausgangsposition zurück bringen und den Schlüssen um 90° drehen. Die Verschlussklappe des Schlosses wieder schließen.

Wartung

- Monatliche Kontrolle der manuellen Notentriegelung
- Es ist absolut untersagt, selbstständig Sonderwartung oder Reparaturen vorzunehmen, da Unfälle die Folge sein können; wenden Sie sich an den Techniker.
- Der Antrieb braucht keine ordentliche Unterhaltung aber es ist periodisch notwendig die Leistungsfähigkeit der Sicherheitsvorrichtungen und die andere Teile des Anlages zu prüfen. Sie könnten durch Abnutzung Gefahr hervorzubringen.





Ref.	BILL 50M DX Code	BILL 50M SX Code	BILL 50MA DX Code	BILL 50MA SX Code	BILL 5024 DX Code	BILL 5024 SX Code	NOTE
1	9686592	9686591	9686594	9686593	9686594	9686593	
2	9686594	9686593	9686594	9686593	9686594	9686593	
3	9686595	9686595	9686595	9686595	9686595	9686595	
4	9686596	9686596	9686596	9686596	9686597	9686597	
5	9686602	9686603	9686604	9686605	---	---	
6	9686599	9686599	9686599	9686599	9686601	9686601	
7	9686279	9686279	9686653	9686653	---	---	
8	9686652	9686652	9686652	9686652	9686652	9686652	
9	---	---	---	---	9686606	9686606	
10	---	---	---	---	9686607	9686607	

BENINCA[®]

AUTOMATISMI BENINCÀ SpA - Via Capitello, 45 - 36066 Sandrigo (VI) - Tel. 0444 751030 r.a. - Fax 0444 759728
