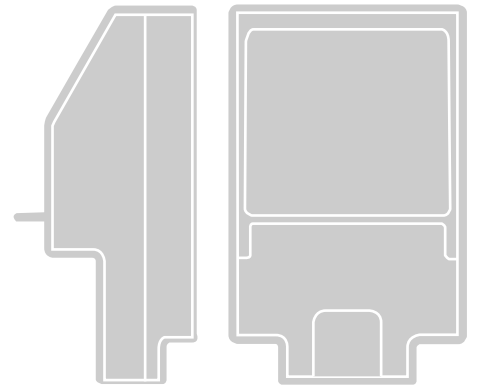


# Nice

CE  
EAC

## BiDi-WiFi



### BiDi-WiFi radio interface

**EN** - Instructions and warnings for the INSTALLER  
to install and configure Nice control units

Nice

# ENGLISH

Translation of the original instructions in full

## CONTENTS

1	GENERAL SAFETY WARNINGS AND PRECAUTIONS	2
2	PRODUCT DESCRIPTION	3
2.1	List of constituent parts	3
3	INSTALLATION	3
3.1	Pre-installation checks	3
3.2	Installation	3
4	LED SIGNALS	4
5	FULL RESET	5
5.1	Full reset	5
5.2	Firmware reset	5
6	TECHNICAL SPECIFICATIONS	5
7	PRODUCT DISPOSAL	5

## 1

## GENERAL SAFETY WARNINGS AND PRECAUTIONS



**CAUTION!** – This manual contains important instructions and warnings for personal safety. Carefully read all parts of this manual. If in doubt, suspend installation immediately and contact the Nice Technical Assistance.



**CAUTION!** – Important instructions: keep this manual in a safe place to enable future product maintenance and disposal procedures.



**CAUTION!** – All installation and connection operations must be performed exclusively by suitably qualified and skilled personnel with the unit disconnected from the mains power supply.

- This product may only be used indoors or protected from weather conditions by control unit's housing.
- Do not open the device protection housing as it contains non-serviceable electrical circuits.
- The product packing materials must be disposed of in compliance with local regulations.
- Never apply modifications to any part of the device. Operations other than those specified may only cause malfunctions. The manufacturer declines all liability for damage caused by makeshift modifications to the product.
- Never place the device near to sources of heat and never expose to naked flames. These actions may damage the product and cause malfunctions.
- This product is not intended for use by people (including children) with reduced physical, sensory or mental capabilities or who lack experience and knowledge, unless they have been given supervision or instruction concerning the use of the product by a person responsible for their safety.
- Make sure that children do not play with the product.
- Check the warnings in the instruction manual for the motor that the **BiDi-WiFi** is connected to.
- Handle the product with care, being sure not to crush, knock or drop it in order to avoid damage.

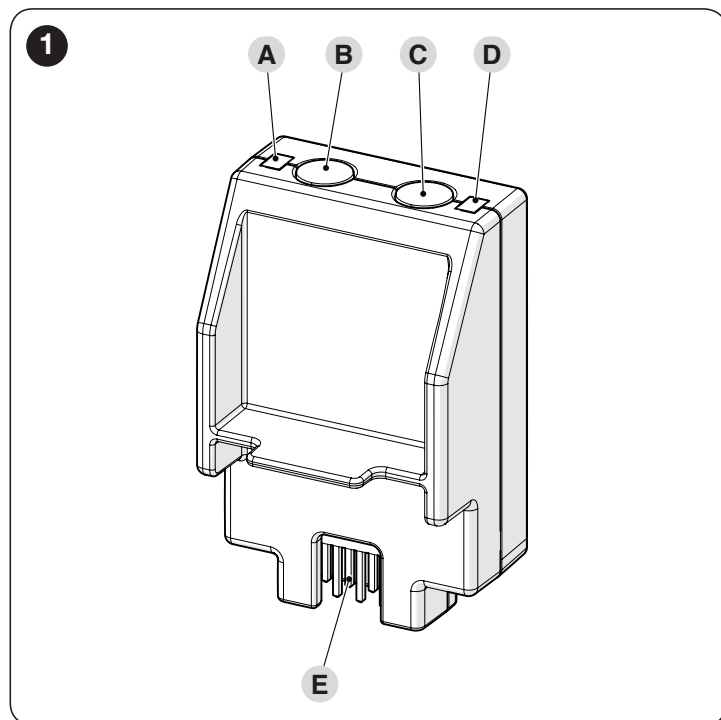
## 2 PRODUCT DESCRIPTION

The **BiDi-WiFi** accessory is a device that – by means of WiFi communication – allows for controlling the movement and status of Gate&Door-type Nice automations compatible with the BusT4.

**CAUTION!** – Any use other than that specified herein or in environmental conditions other than those stated in this manual is to be considered improper and is strictly forbidden!

### 2.1 LIST OF CONSTITUENT PARTS

Figure 1 shows the main parts making up the **BiDi-WiFi**.



- A** Data Connection LED
- B** PAIRING button
- C** RESET button
- D** Power LED
- E** Control Unit CONNECTOR

## 3 INSTALLATION

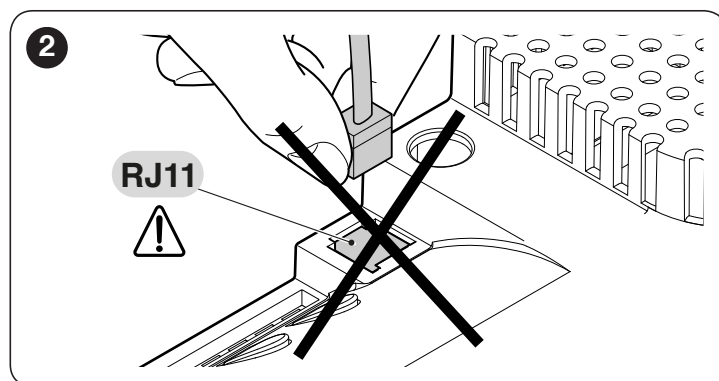
### 3.1 PRE-INSTALLATION CHECKS

**CAUTION!** The installation must be carried out by qualified personnel in compliance with the current legislation, standards and regulations, and with the instructions provided in this manual.

**CAUTION!** – If the BusT4 connection is used for the IBT4N interface, **BiDi-WiFi** cannot be connected to the control unit.

Before proceeding with the product's installation, it is necessary to:

- check that you have a Nice automation control unit of the Gate&Door catalogue equipped with BUS T4 connector (IBT4N). Control unit with phone connector RJ11 are not supported by **BiDi-WiFi** ("Figure 2")

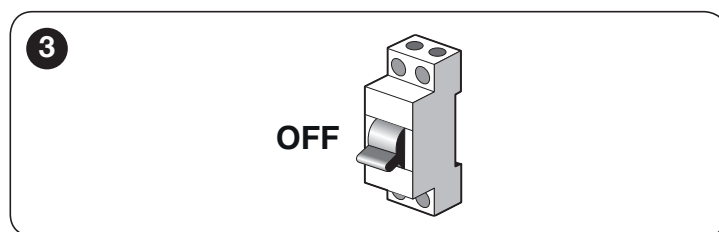


- you have a smartphone with Android 6.0.2 or higher
- you have installed and configured the application **MyNice Pro** on the smartphone, you can download the App from Play Store.

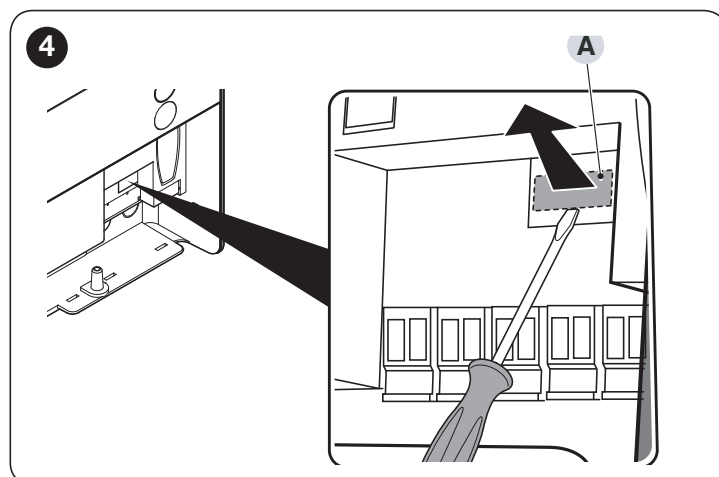
### 3.2 INSTALLATION

To install **BiDi-WiFi**:

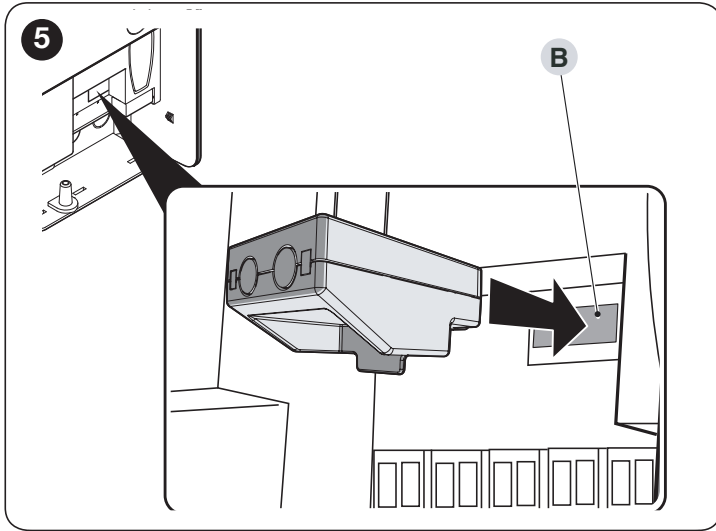
- disconnect the power supply from the automation's control unit ("Figure 3")
- all LEDs on the automation's control unit should be off before continuing



- if present, remove the plastic pre-cut element (**A**) from the IBT4N connector and check that there are no burrs ("Figure 4")

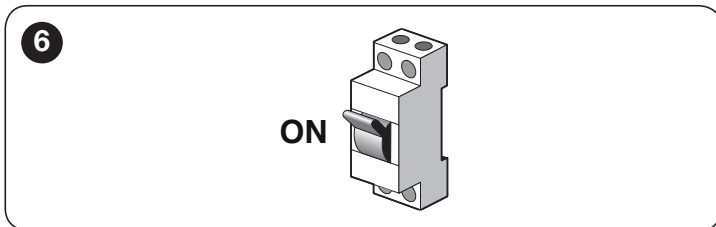


- insert **BiDi-WiFi** into the IBT4N connector (**B**) of the control unit ("**Figure 5**")

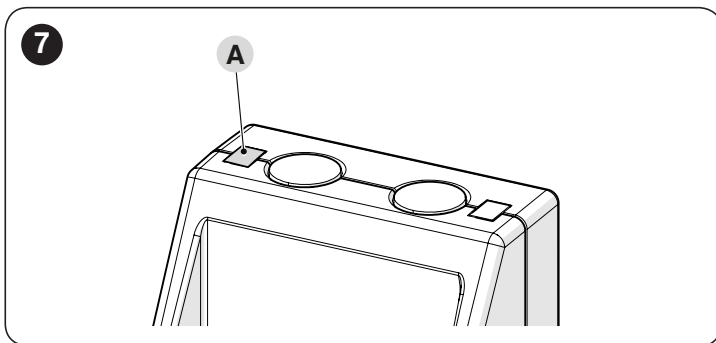


**Caution!** If BiDi-WiFi is inserted incorrectly, it may permanently damage the control unit!

- power the automation's control unit ("**Figure 6**")

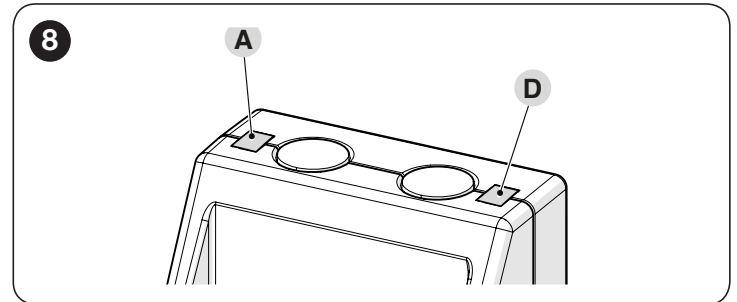


- Wait for the Data Connection LED (**A**) to start flashing ("**Figure 7**")
- configure **BiDi-WiFi** through smartphone application **MyNice Pro**, following the instructions contained in the relevant instruction manual that can be downloaded from this "[link](#)".
- the configuration is complete when Data Connection LED (**A**) is fixed green ("**Figure 7**").



## 4 LED SIGNALS

In the event of **BiDi-WiFi** malfunctions, the LEDs (**A**) and (**D**) can light up or start flashing. ("**Figure 8**").



The "**Table 1**" shows the meanings of the LED signals.

**Table 1**

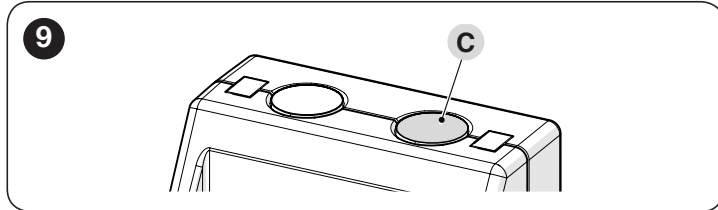
LED SIGNALS			
Status Data Connection LED (A)	Status Power LED (D)	State duration	Description
OFF	OFF	Fixed	<b>BiDi-WiFi</b> off.
Lit green	Lit green	Fixed	<b>BiDi-WiFi</b> configured and smartphone connected.
Lit orange	Lit green	Fixed	<b>BiDi-WiFi</b> configured but smartphone not connected.
Flashing green	Lit green	Fixed	<b>BiDi-WiFi</b> is not configured. Use smartphone application to perform the accessory configuration.
OFF	Lit green	Fixed	<b>BiDi-WiFi</b> was not configured within 30 minutes of switching on. Switch off and on the accessory to retry the configuration.
Flashing orange	Flashing orange	Transitory (about 1 minute)	<b>BiDi-WiFi</b> update in progress.
-	Lit red	Fixed	System error. Contact the <b>Nice</b> Technical Assistance.
Lit red	-	Fixed	Wi-Fi module error. Contact the <b>Nice</b> Technical Assistance.
Flashing red	-	Fixed	Configuration error. Contact the <b>Nice</b> Technical Assistance.

## 5 FULL RESET

### 5.1 FULL RESET

**BiDi-WiFi** can be completely reset to delete all the settings (users settings, log files and Wi-Fi configuration). To do this:

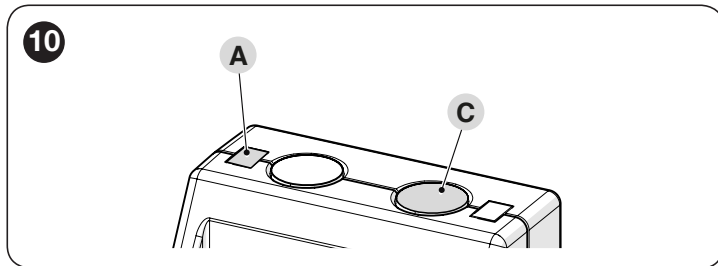
- press and hold the RESET button (C) for at least 10 seconds: all the LEDs will flash red
- release the RESET button (C). BiDi-WiFi device will restart ("Figure 9").



### 5.2 FIRMWARE RESET

You can restore the previous firmware version and delete all settings (users settings, log files and Wi-Fi configuration). To do this:

- keeping inserted the |e|nnull device, power on the control unit with the RESET button (C) pressed. Data Connection LED (A) will flash red
- press and hold the RESET button (C) for at least 10 seconds. Data Connection LED will stop flashing
- Release the RESET button (C) ("Figure 10").



## 6 TECHNICAL SPECIFICATIONS



All technical specifications stated in this section refer to an ambient temperature of 20°C (± 5°C). Nice S.p.A. reserves the right to apply modifications to the product at any time when deemed necessary, without altering its functions and intended use.

Table 2

TECHNICAL SPECIFICATIONS	
Description	Technical specification
Product name	BiDi-WiFi
Power supply	12-24V===
Max. power input	1.2 W
Tipo interfaccia WIFI con antenna interna	802.11b/g/n – 2.4GHz client / AP (P < 20 dBm EIRP)
Wi-Fi security	OPEN/WEP/WPA-PSK/WPA2-PSK
Bluetooth®	v4.2 BR/EDR/BLE
Operating temperature	-20°C ... +50°C
Storage temperature	-25°C ... +70°C
Humidity	15% - 85%
Dimensions (WxDxH)	43,9 x 27,5 x 21 mm
Weight	15 g
Protection rating (IP)	40

## 7 PRODUCT DISPOSAL



**This product is an integral part of the operator and must therefore be disposed of with it.**

As with the installation, only qualified personnel must dismantle the product at the end of its life.

This product is composed of different types of materials. Some of these materials can be recycled; others must be disposed of. Please enquire about the recycling or disposal systems in place in your local area for this type of product.

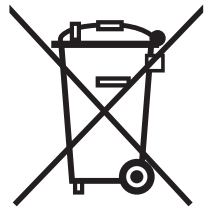


### WARNING

**Some parts of the product may contain polluting or dangerous substances. If not disposed of correctly, these substances may have a damaging effect on the environment and human health.**



**As indicated by the symbol shown here, this product must not be disposed of with household waste. Separate the waste for disposal and recycling, following the methods stipulated by local regulations, or return the product to the seller when purchasing a new product.**



### WARNING

**Local regulations may impose heavy penalties if this product is not disposed of in compliance with the law.**



**Nice SpA**  
Via Callalta, 1  
31046 Oderzo TV Italy  
info@niceforyou.com

[www.niceforyou.com](http://www.niceforyou.com)

IDV0785A00EN\_27-11-2020