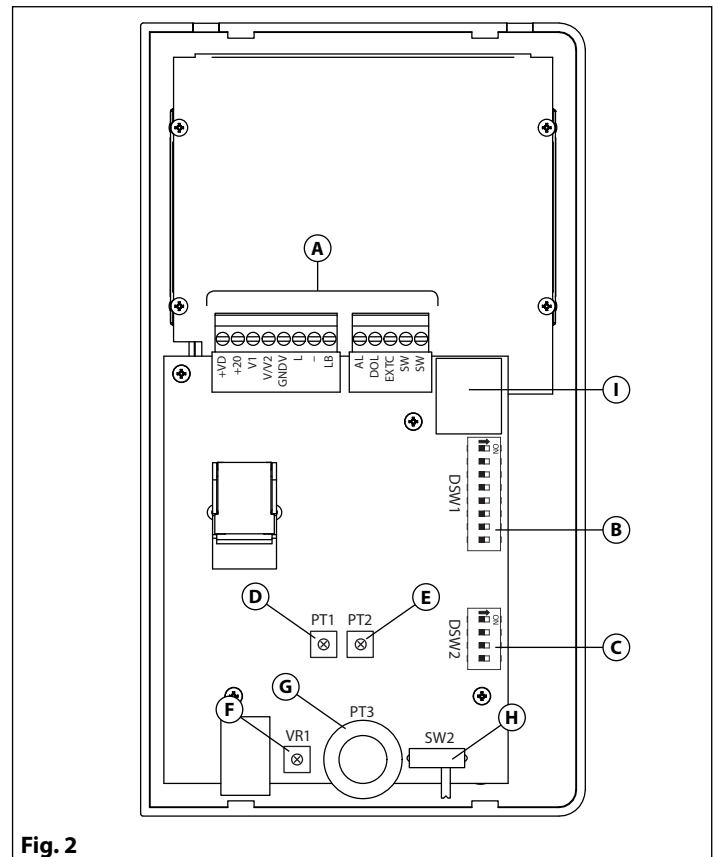
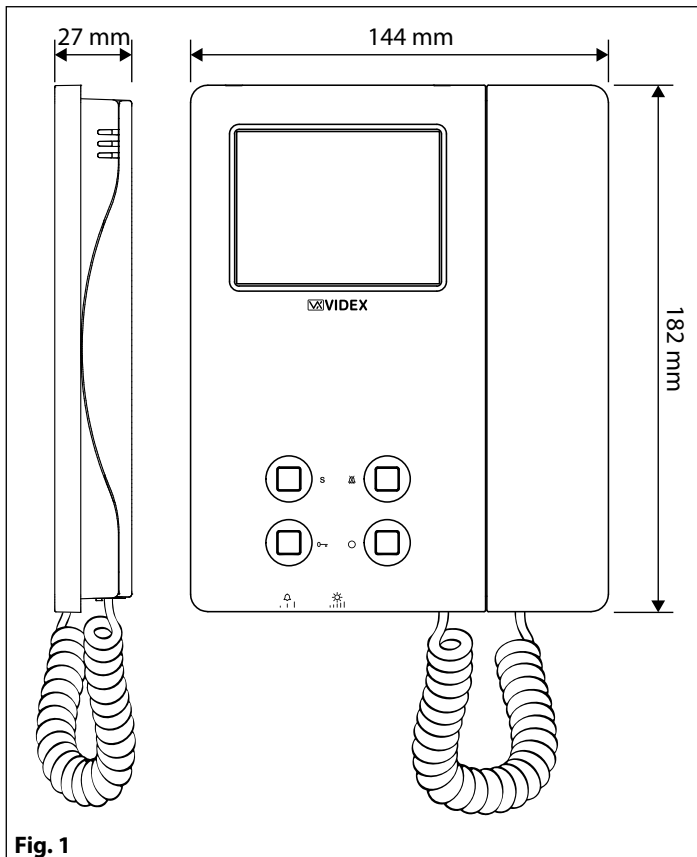


Art. 6276 3.5" colour display videophone**ART. 6276 VX2200 6200 SERIES VIDEOPHONE FOR SYSTEMS USING COMPOSITE VIDEO SIGNAL (COAX) OR BALANCED (TWISTED PAIR)****DESCRIPTION**

Surface mount videophone incorporating a 3.5" Hi-Res full colour active matrix LCD monitor, with "camera recall", "door open/concierge call", "service" and "privacy" button.

2 LED's one for generic use (door opening usually) and one to indicate privacy service enabled.

Programmable settings: privacy duration, video mode (coax or balanced), melody and number of rings.


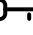
Adjustments: call tone volume (3 levels), microphone volume, picture hue, contrast and brightness.



LEGEND

- (A) Connection terminals
- (B) 8 Way dip switch bank to set videophone address
- (C) 4 Way dip switch bank to set video mode
- (D) Contrast adjustment trimmer
- (E) Hue adjustment trimmer
- (F) Microphone volume adjustment trimmer
- (G) Brightness control sliding wheel
- (H) Call tone volume switch
- (I) RJ-45 connector

PUSH BUTTONS

S	Service button When pressed, shorts terminal SW to SW (Max 24 Vdc 50mA).
	Privacy service Press to enable the privacy service. The LED turns on. The service is deactivated by pressing again the same button or when the programmed time expires.
	Door Open Push Button <ul style="list-style-type: none"> • During a conversation, operation of this button will release the door from where the call originated. This will be confirmed by an acoustic tone. If terminal DOL is connected, the "door open" LED under the symbol will also illuminate. • When the system is in stand-by, picking up the handset and pressing the buttons will book a call to the concierge (If available).
	Camera recall When the system is in standby (no calls on the system), pick up the handset then press this button to open the SPEECH/VIDEO to the door station. Press as many time as the ID value of the door panel to connect to.

LEDS (FIG. 1)	
LED 	Privacy on LED It illuminates when the privacy service is enabled, when pressing the service button or during programming mode.
LED 	Generic use LED It is controlled from the terminal DOL . Normally used to signal the door status (open or closed).



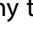
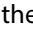
CONTROLS (FIG. 1 AND FIG. 2)	
PT1	Contrast adjustment trimmer* Rotate anticlockwise to increase or clockwise to decrease. <small>*Not available in some LCD versions.</small>
PT2	Hue adjustment trimmer Rotate anticlockwise to increase or clockwise to decrease.
VR1	Microphone volume adjustment trimmer Rotate anticlockwise to decrease or clockwise to increase.
 PT3	Brightness control sliding wheel Rotate anticlockwise to increase or clockwise to decrease (when videophone is closed).
 SW2	Call tone volume switch 3 levels: low, medium and high.

PROGRAMMING

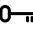
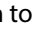
The programmable settings are:

- Privacy service duration (from 15 minutes to 20 hours or infinite);
- Melody (9 available);
- Number of rings (3 or 6);
- Video mode (coax or balanced);
- Videophone address (Phone ID).

TO SET PRIVACY SERVICE DURATION

1. Press and keep pressed  button for 10 seconds to enter privacy service duration programming mode: the  LED turns on and the unit emits a "beep";
2. Press  button as many times as required. Each press is equal to 15 minutes: the unit emits a "beep" every time the button is pressed. **I.E.:** press 4 times for 1 hour, 12 for 3 hours. Default: infinite. Max value: 20 hours. To program infinite privacy time don't press any buttons;
3. Wait for some seconds: the  LED turns off and the unit emits a "beep" that confirms the new setting is properly stored;
4. The unit returns to stand-by mode.

TO SET MELODY

1. Press and keep pressed  button for 10 seconds until the unit plays the current programmed melody and emits a "beep" at the end.
2. Press again  button to listen to the available melodies (maximum 9);
3. Once the selected melody has been reached, wait 5 seconds for a "beep";
4. The new melody will be stored.

Note: To set the melody it is required that the videophone is connected in a system where the +20Vdc voltage from Art. 893N1 is always enabled.



TO SET THE NUMBER OF RINGS (6 OR 3):


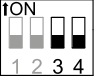
Default setting is 6, to set 3 proceed as follows:

1. Turn off the videophone by unplugging the connector from the PCB;
2. Make a short between terminals **GNDV** and **LB** on the connector;
3. Plug the connector in and wait for a beep before removing the short;
4. To go back to 6 rings, do the same but two "beeps" will be emitted.

TO SET THE VIDEO MODE AND TERMINATION

The videophone can operate with either composite video signal (coax cable) or balanced video signal (two wires). Switches 1 & 2 of DSW2 are used to set video mode while switches 3 & 4 are for video termination.

VIDEO MODE - DSW2	
Switches 1,2	Mode
	Coax
	Balanced

75 OHM VIDEO TERMINATION - DSW2	
Switches 3,4	Termination
	Enabled
	Disabled

Switches 3 and 4 adjust the video signal impedance. when using more than one videomonitor in parallel (without a video splitter) put both switches in the OFF position on all but the last videomonitor (end of line).

VIDEOMONITOR/INTERCOM ADDRESS, VIDEO MODE AND TERMINATION SETUP DSW1

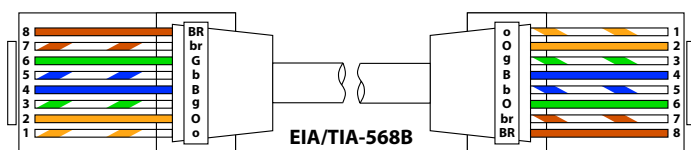
Each intercom is addressed in binary (PHONE ID) using the 8 way dipswitches located on the rear of the unit. Each switch corresponds to one bit which can have a value 0 (OFF) or 1 (ON). Each bit corresponds to a decimal weight depending on the position: Switch 1 = decimal 1, 2=2, 3=4, 4=8, 5=16, 6=32, 7=64, 8=128. **I.E.** to set the address 37, put switches 1, 3 and 6 on (1+4+32=37).

SWITCHES								DECIMAL WEIGHT								ADDRESS
8	7	6	5	4	3	2	1	128	64	32	16	8	4	2	1	
OFF	OFF	OFF	OFF	OFF	OFF	OFF	ON	0	0	0	0	0	0	0	1	1
OFF	OFF	OFF	OFF	OFF	OFF	ON	OFF	0	0	0	0	0	0	1	0	2
OFF	OFF	OFF	OFF	OFF	OFF	ON	ON	0	0	0	0	0	0	1	1	3
OFF	OFF	OFF	OFF	OFF	ON	OFF	OFF	0	0	0	0	0	1	0	0	4
OFF	OFF	ON	OFF	OFF	ON	OFF	ON	0	0	1	0	0	1	0	1	37
ON	OFF	ON	ON	OFF	ON	OFF	OFF	1	0	1	1	0	1	0	0	180

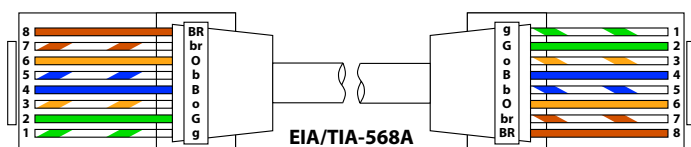
CONNECTION TERMINALS SIGNALS	
+VD	12Vdc output to supply coax video distributor Art. 894N
+20	Video power supply 17÷20Vdc
V1	Balanced video signal V1 sync. (balanced video signal mode)
V/V2	Balanced video signal V2 sync. (balanced video signal mode) Composite video signal (coax video signal mode)
GNDV	Video power supply ground reference
L	BUS line
-	BUS line ground reference
LB	Local bell input (active low)
AL	Alarm input (active low)
DOL	12Vdc input to supply Aux LED
EXTC	Call tone output for extension sounder (Art. 512A)
SW	Service button connection
SW	

TECHNICAL SPECIFICATION

Working Voltage:	17÷20Vdc
Power Consumption:	200mA during a call 120mA during a conversation
Working Temperature:	-10°C +50°C

USING RJ-45 PLUG TO CONNECT THE VIDEOPHONE
EIA/TIA-568B


RJ-45 pin	VX2200 Signal
1 and 2 (white-orange / orange)	L
3 and 4 (white-green / blue)	-
5 and 6 (white-blue / green)	+
7 (white-brown)	V1
8 (brown)	V2

EIA/TIA-568A


RJ-45 pin	VX2200 Signal
1 and 2 (white-green / green)	L
3 and 4 (white-orange / blue)	-
5 and 6 (white-blue / orange)	+
7 (white-brown)	V1
8 (brown)	V2

NOTE: DO NOT USE CROSS OVER CABLES.

IMPORTANT NOTE: SOLID COPPER CABLES MUST BE USED. COPPER COATED STEEL (CCS) AND COPPER COATED ALUMINIUM (CCA) CAN NOT BE USED ON THE SYSTEM.

MEMORY BOARD

This device is also available in the version with memory board (Art. 6276/VM).

If you have that version, please refer to the "6200, 6300, 6400 and 6700 Series Memory Board" user manual for installation and use. The manual is available for download at the following link:

<https://www.dropbox.com/s/492p16btyqhmpu/66250782-EN.pdf?dl=0>


MANUFACTURER


made in
ITALY

VIDEX ELECTRONICS S.P.A.

Via del Lavoro, 1 - 63846 Monte Giberto (FM) Italy
Tel (+39) 0734 631669 - Fax (+39) 0734 632475
www.videx.it - info@videx.it

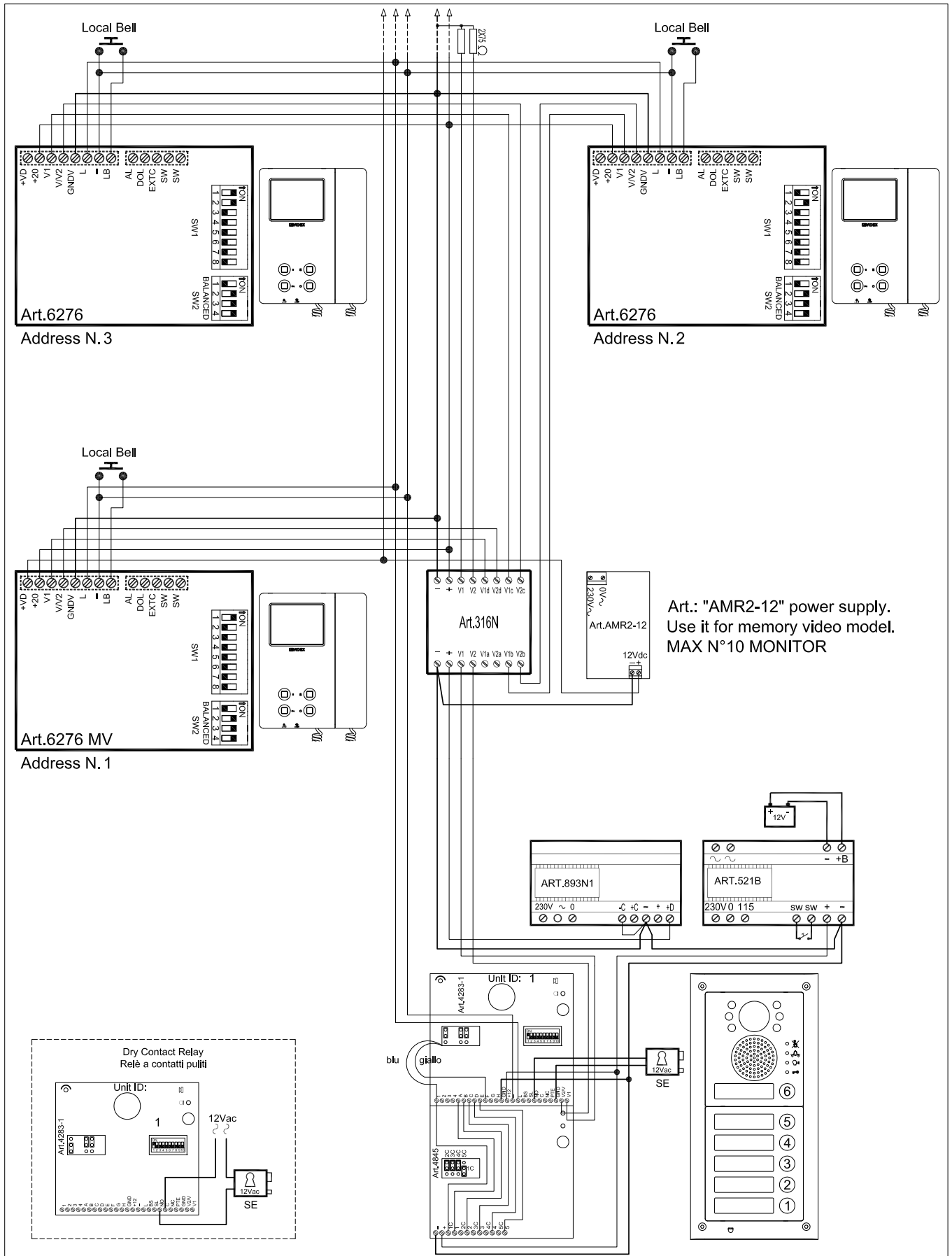
CUSTOMER SUPPORT

All Countries:
VIDEX ELECTRONICS S.P.A.
www.videx.it - technical@videx.it
Tel: +39 0734-631669
Fax: +39 0734-632475


UK Customers:
VIDEX SECURITY LTD
www.videx-security.com
Tech Line: 0191 224 3174
Fax: 0191 224 1559

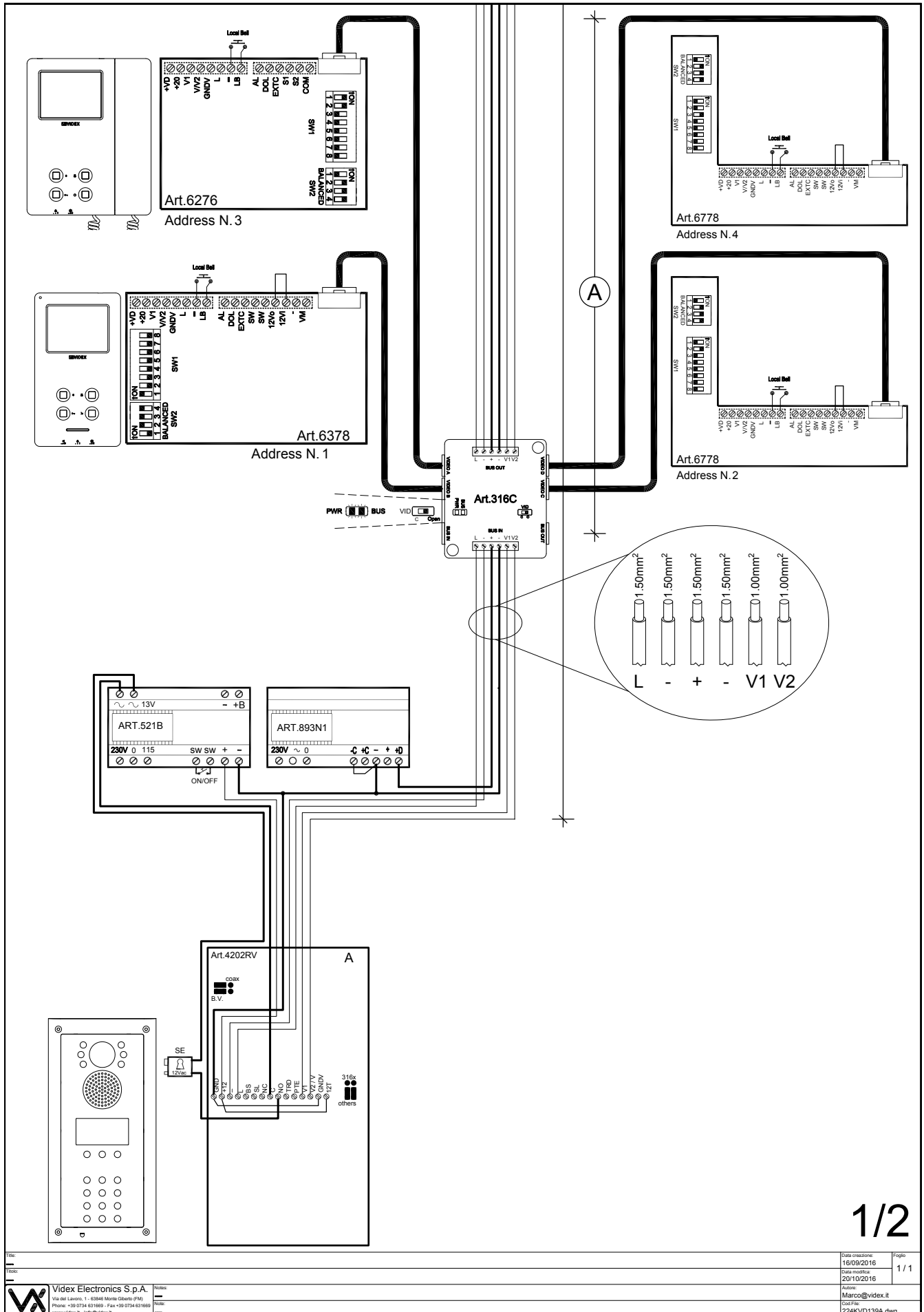


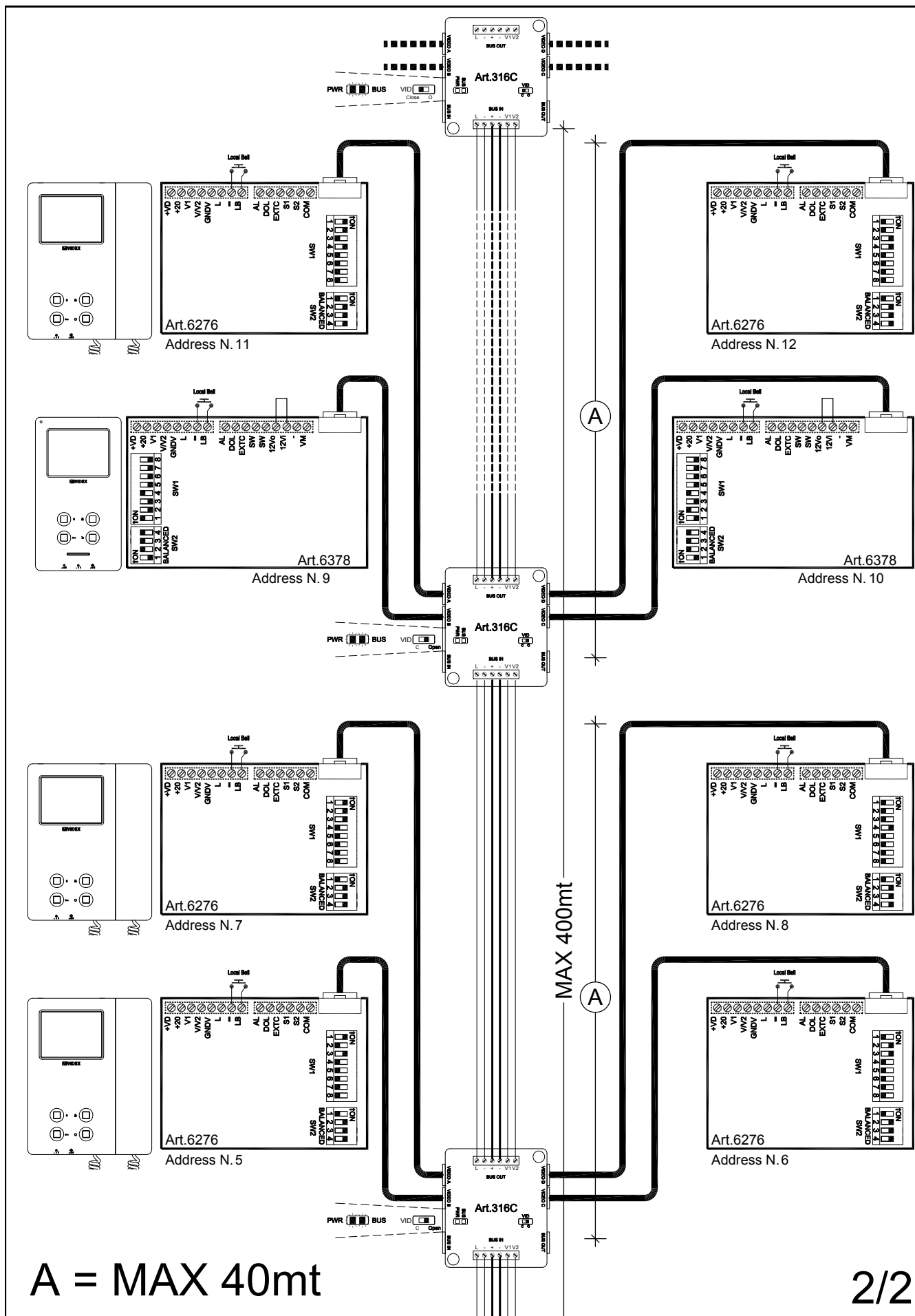
The product is CE marked demonstrating its conformity and is for distribution within all member states of the EU with no restrictions. This product follows the provisions of the European Directives 2014/30/EU (EMC); 2014/35/EU (LVD); 2011/65/EU (RoHS); CE marking 93/68/EEC.



Art.: "AMR2-12" power supply.
Use it for memory video model.
MAX N°10 MONITOR

Titolo:		Data creazione: 11/06/2014		Foglio
Titolo:		Data modifca: 19/04/2016		1 / 1
Autore:		Marco Rongoni		
Cod. File:		224kvd079ca.dwg		
 Videx Electronics S.p.A. Via del Lavoro 1, 63846 Monte Giberto (FM) Phone: +39 0734 631669 - Fax: +39 0734 631669 www.videx.it - info@videx.it		Notes: Note:		





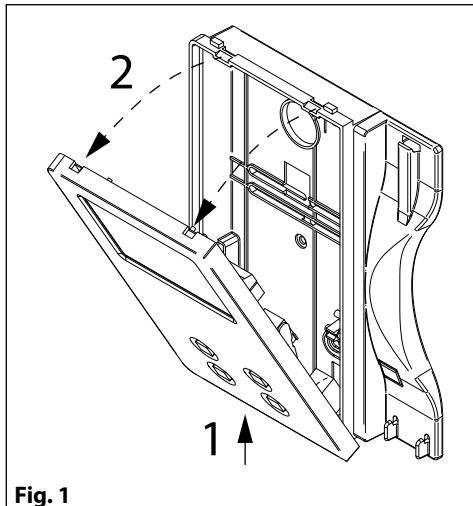


Fig. 1

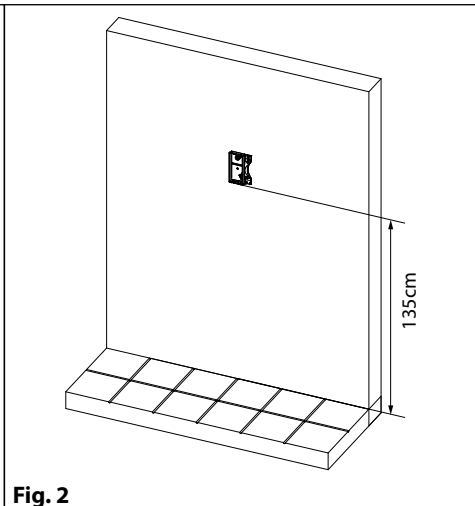


Fig. 2

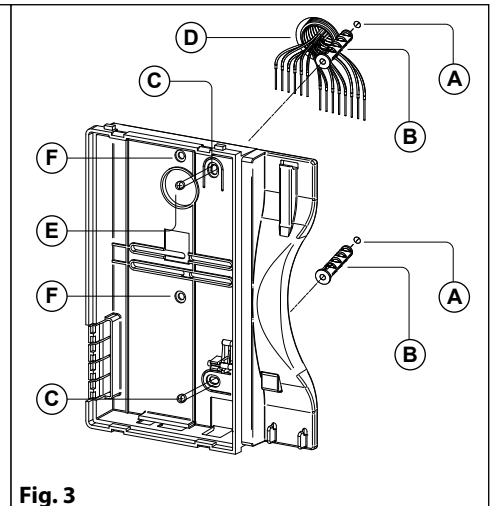


Fig. 3

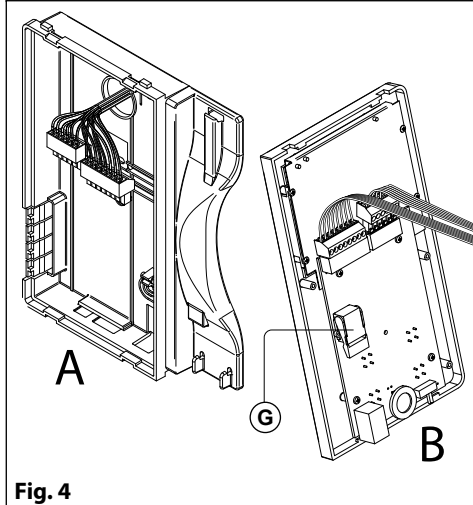


Fig. 4

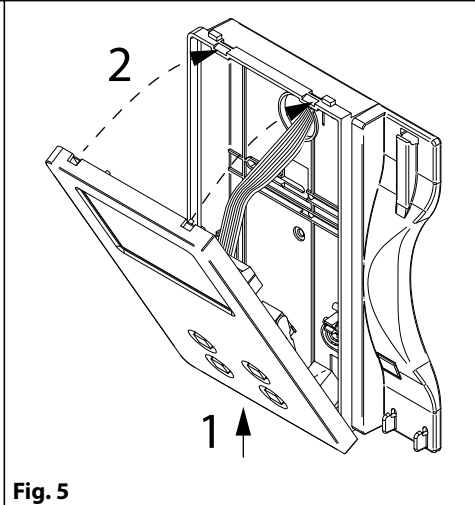


Fig. 5

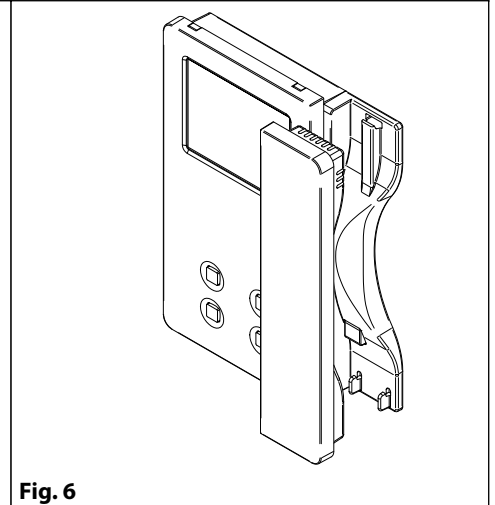


Fig. 6

1. In order to install the videophone, it is necessary to remove the cover, which contains all the electronics, from the base: firstly disconnect the handset from the videophone (by removing its plug from the videophone), then press lightly the bottom part of the videophone and simultaneously pulling outwards the upper part as shown in **Fig. 1**.
2. Put the base of the unit on the wall at approx 135cm from the finished floor to mark the points for the fixing holes "A" (**Fig. 2**) remembering that the wires "D" (**Fig. 3**) must be fed through the hole "E" (**Fig. 3**). If you use the flush mounting box 503, embed it into the wall vertically at approx. 140cm from the finished floor and the base.
3. Following **Fig. 3**, make the holes "A", insert the wall plugs "B" and fix the base with the screws "C" feeding the wires "D" into the hole "E". If you have used the box 503, fix the base to the wall through the holes "F" using the screws "C".
4. As shown in **Fig. 4A**, connect the wires to the removable terminals following the provided installation diagram. Connect the terminal blocks to the electronics contained in the cover as shown in **Fig. 4B**. Reinsert the handset and test system before closing. **Note: Contrast and hue trimmers can be adjusted only if the videophone is open. Note while testing the system, it is advisable to hold the cover with your hand closing manually the hook switch of the handset (see Fig. 4B reference "G").**
5. Once testing is complete and all the necessary adjustments are made, disconnect the handset from the cover and close the unit as shown in **Fig. 5**: first hook it on the bottom then push in the top until you hear the clip.
6. Reconnect the handset and hang it as shown in **Fig. 6**.