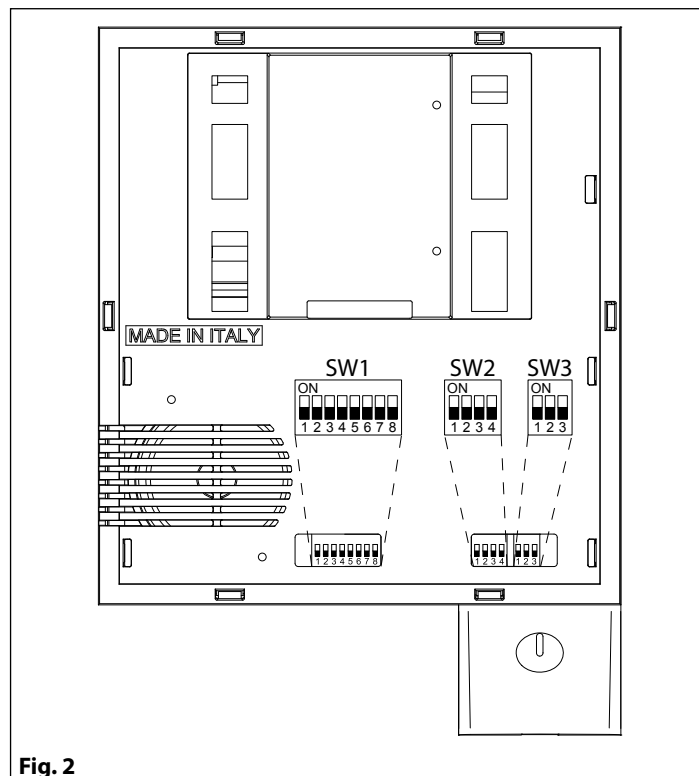
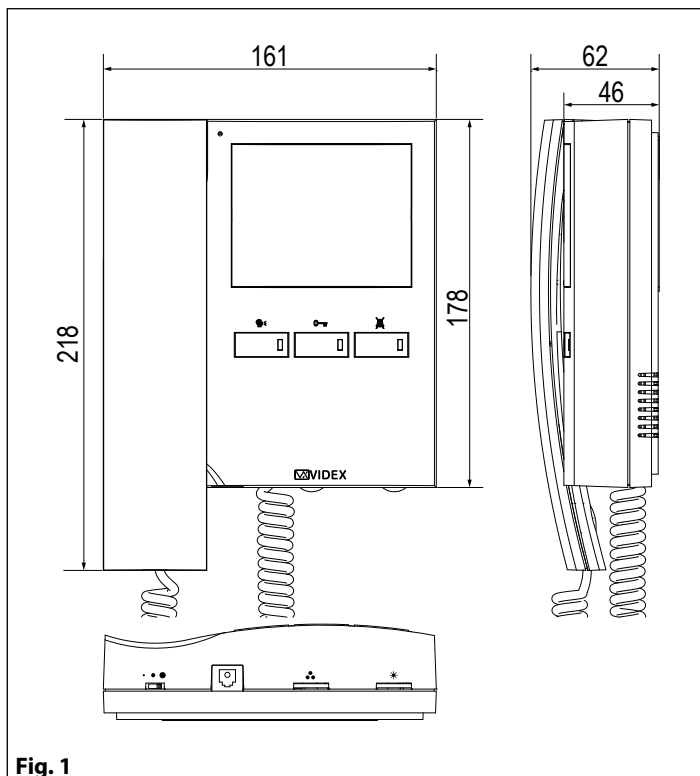


Art. 3676 Digital videophone for VX2200 Digital System


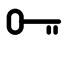






DESCRIPTION

Intelligent videophone for the VX2200 digital system incorporating a 3,5" full colour active matrix LCD monitor, with "camera recall", "door open", "privacy/service" buttons plus 3 LEDs related to the operation of the buttons. Programmable settings: video mode (coax or balanced), melody, number of rings and privacy duration.

Adjustments: call tone volume (3 levels), hue and brightness. Connection terminals are compatible with Art. 3678.

PUSH BUTTONS AND CONTROLS - OPERATION

	Camera recall button. When the system is in standby, (No calls on the system) operation of this button will open the speech to the door station. The related LED will illuminate. Press as many time as the ID value of the door panel to connect to.
	Door-open button. <ul style="list-style-type: none"> • During a conversation, operation of this button will release the door from where the call originated. This will be confirmed by an acoustic tone. If terminal "DL" is connected, the "door open" LED next to the button will also be illuminated. • When the system is in stand-by, a button press will book a call to the concierge (If available).
	Privacy ON-OFF button. <ul style="list-style-type: none"> • When the system is in stand-by, press this button to enable the service for the programmed time: the related LED will illuminate to signal the service enabled. During an incoming call, with the service enabled, the device does not emit any acoustic signal. The service is disabled when the programmed time expires or pressing again the button. • During a conversation, press this button to enable the auxiliary service: by pressing the button terminal "12/SB" is internally linked to ground for 2 seconds.
	Adjusts call tone volume (3 levels): low, medium and high.
	Adjusts the picture hue: right rotation to increase, left rotation to decrease.
	Adjusts the picture brightness: right rotation to increase, left rotation to decrease.

PROGRAMMING AND ADJUSTMENTS

The programmable settings are:

- Melody (9 available);
- Number of rings (3 or 6);
- Video mode (coax or balanced);
- Privacy duration (15minutes – 16 hours or unlimited);
- Videophone address (Phone ID).

TO SET MELODY

Press and hold (for approx 10 seconds) the “” button until the unit plays the current programmed melody and emits a beep at the end. Press again the “” button to listen to the available melodies (maximum 9). Once the selected melody has been reached, wait 5 seconds for a beep. The new melody will be stored.

TO SET THE NUMBER OF RINGS (6 OR 3)

Default setting is 6, to set 3 proceed as follows:

- Turn off the videophone by unplugging the flat cable from the PCB connection board;
- Make a short between terminals 8 and 9 (signals “GND” and “LB”) of the PCB connection;
- Plug the flat cable onto the PCB connection board and wait for a beep before removing the short between terminals 8 and 9;
- To go back to 6 rings, do the same but two beeps will be emitted.

TO SET THE VIDEO MODE

The videophone can operate with either composite video signal (coax cable) or balanced video signal (two wires). Switches 1 & 2 of SW2 are used to set video mode while switches 3 & 4 are for video termination. When more videophone have a pass through connection for the video signal, you must enable the video termination only for the last videophone.

VIDEO MODE - SW2	
Switches 1,2	Mode
	Coax
	Balanced

75 OHM VIDEO TERMINATION - SW2	
Switches 3,4	Termination
	Enabled
	Disabled

TO SET THE PRIVACY DURATION

The privacy duration is set by the 3 way dip-switch bank SW3.

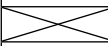
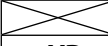


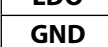

SW3	Dip-Switch			Duration
	1	2	3	
	off	off	off	Unlimited
	on	off	off	15 min
	off	on	off	30 min
	on	on	off	1 hour
	off	off	on	2 hours
	on	off	on	4 hours
	off	on	on	8 hours
	on	on	on	16 hours

VIDEOMONITOR/INTERCOM ADDRESS, VIDEO MODE AND TERMINATION SETUP

Each intercom is addressed in binary (PHONE ID) using the 8 way dipperswitches located on the rear of the unit. Each switch corresponds to one bit which can have a value 0 (OFF) or 1 (ON). Each bit corresponds to a decimal weight depending on the position: Switch 1 = decimal 1, 2=2, 3=4, 4=8, 5=16, 6=32, 7=64, 8=128. I.E. to set the address 37, put switches 1, 3 and 6 on (1+4+32=37).

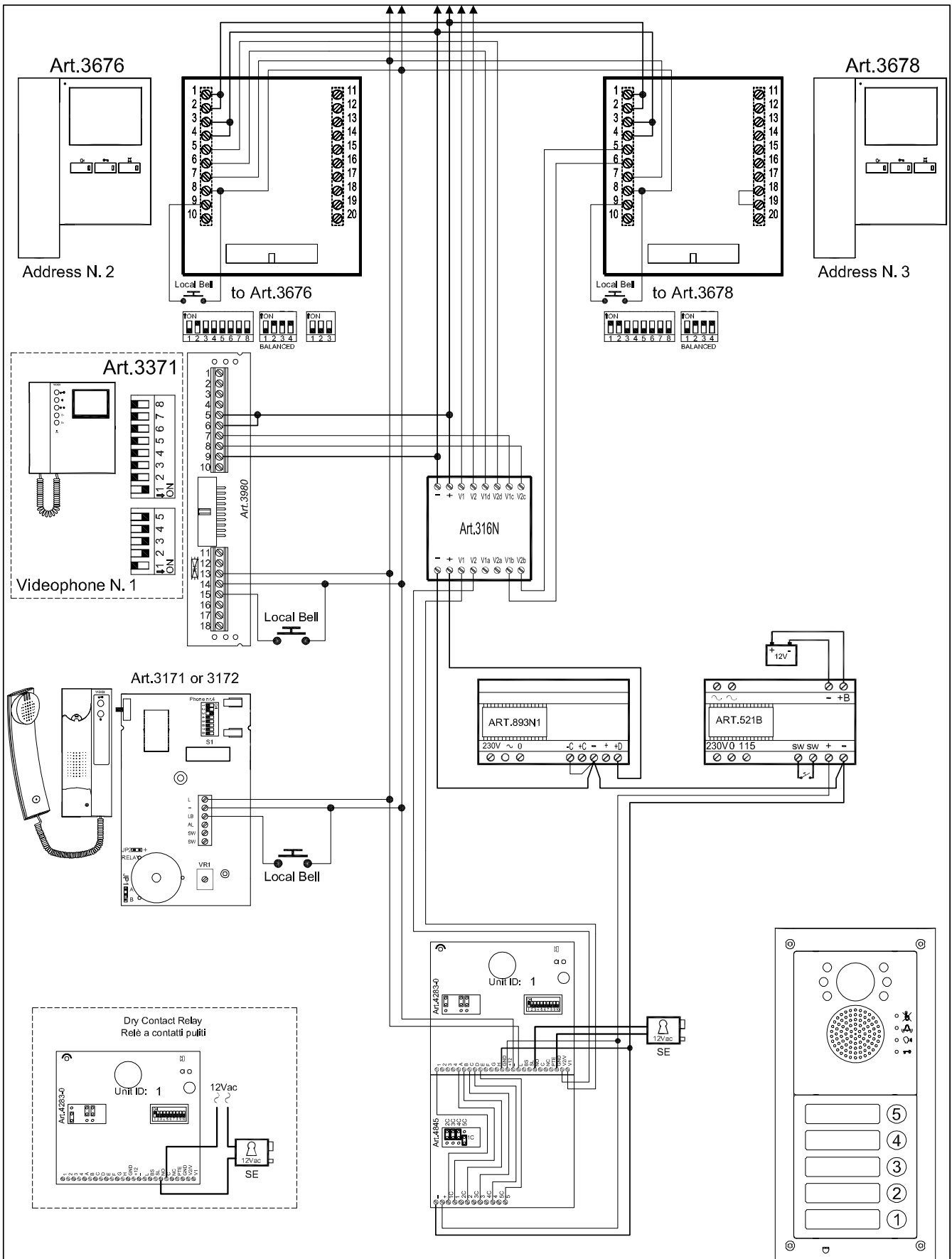
SWITCHES								DECIMAL WEIGHT								ADDRESS
8	7	6	5	4	3	2	1	128	64	32	16	8	4	2	1	
OFF	OFF	OFF	OFF	OFF	OFF	OFF	ON	0	0	0	0	0	0	0	1	1
OFF	OFF	OFF	OFF	OFF	OFF	ON	OFF	0	0	0	0	0	0	1	0	2
OFF	OFF	OFF	OFF	OFF	OFF	ON	ON	0	0	0	0	0	0	1	1	3
OFF	OFF	OFF	OFF	OFF	ON	OFF	OFF	0	0	0	0	0	1	0	0	4
OFF	OFF	ON	OFF	OFF	ON	OFF	ON	0	0	1	0	0	1	0	1	37
ON	OFF	ON	ON	OFF	ON	OFF	OFF	1	0	1	1	0	1	0	0	180

SIGNALS ON CONNECTION BOARD

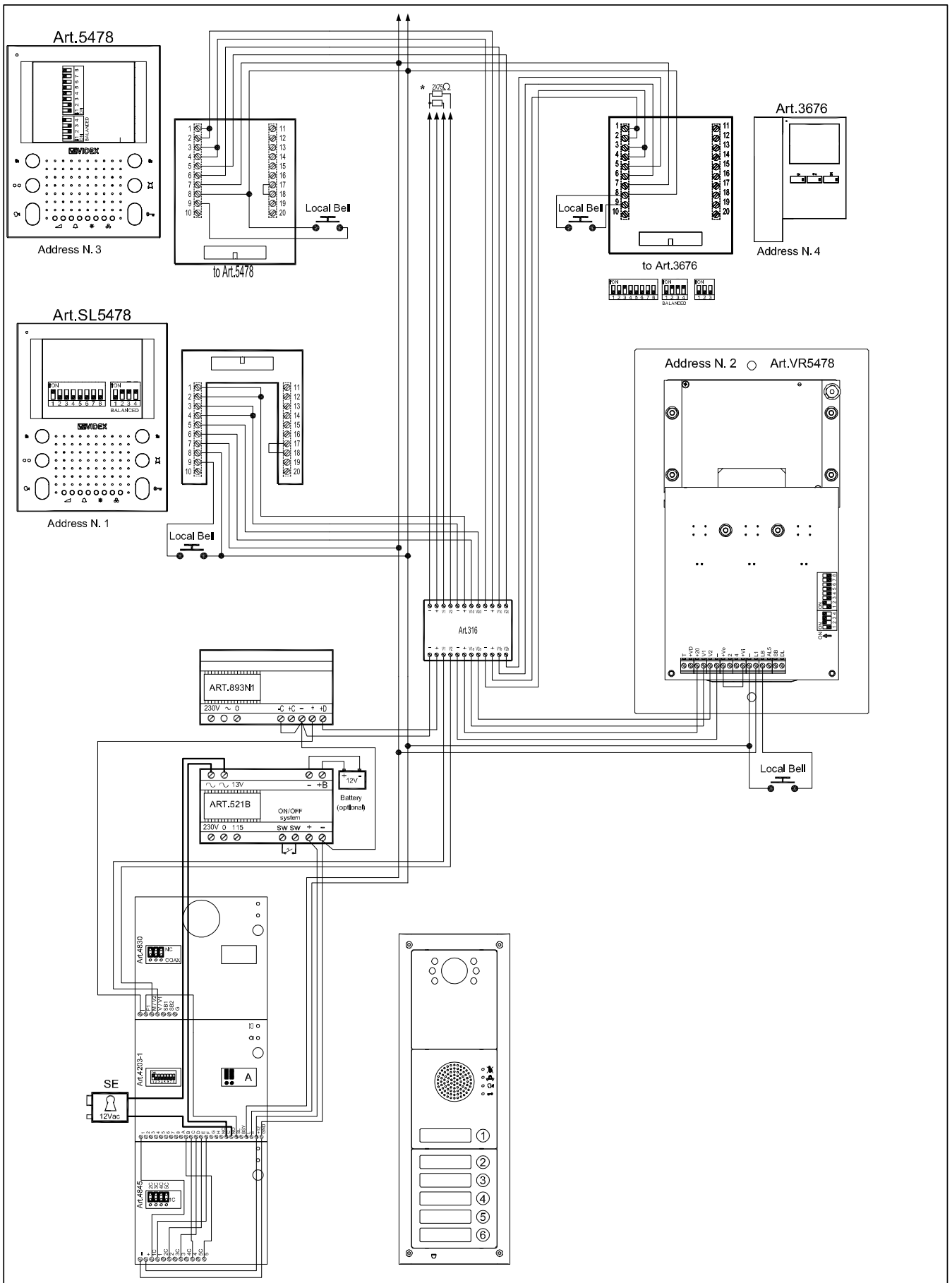
+20V	1	Video power supply 17÷20Vdc
+20V	2	Video power supply 17÷20Vdc
GND	3	Video power supply ground reference
GND	4	Video power supply ground reference
V2/V	5	Balanced video signal V2 sync.(balanced video signal mode) Composite video signal (coax video signal mode)
V1	6	Balanced video signal V1 sync.(balanced video signal mode)
L	7	BUS line
GND	8	BUS line ground reference
LB	9	Local bell input (active low)
AL	10	Alarm input (active low)
	11	
SB	12	Service Push button (close to ground when pressed)
EXTC	13	Call tone output for extension sounder like Art. 512A
	14	
+VD	15	+12Vdc output to supply the video distributor Art. 894/Art. 894N
GND	16	Ground
		
		
		
LDO	19	Auxiliary LED ( button) power supply input
GND	20	Ground

TECHNICAL SPECIFICATION

Working Voltage:	17÷20Vdc
Power Consumption:	Standby: 12mA During a conversation: 250mA Max (on 20Vdc)
Working Temperature:	-10°C +50°C



<p>Titolo: _____</p> <p>_____</p>		<p>Data creazione: 23/02/2011</p> <p>Data modifica: 28/03/2012</p> <p>Foglio: 1 / 1</p>
<p>Titolo: _____</p> <p>_____</p>		<p>Autore: Marco Rongoni</p> <p>Costo File: 224kvd040b.dwg</p>
<p>VIDEX Videx Electronics S.p.A. Via del Lavoro 1, 63020 Monte Giberto (AP) Phone: +39 0734 631669 • Fax +39 0734 631669 www.videx.it • Info@videx.it</p>		<p>Notes: _____</p> <p>Notes: _____</p>



Titolo:		Data creazione:	02/10/2009	Foglio:	1 / 1
Autore:		Data modifica:	27/03/2012	Disegnato:	
				Autore:	Marco Rongoni
				Disegnato:	224kvd016c.dwg

VIDEX Videx Electronics S.p.A.
 Via dell'Industria 1, 43030 Nocera (CR) Italy
 Phone: +39 0754 431689 - Fax: +39 0754 431689
 www.videx.it - info@videx.it

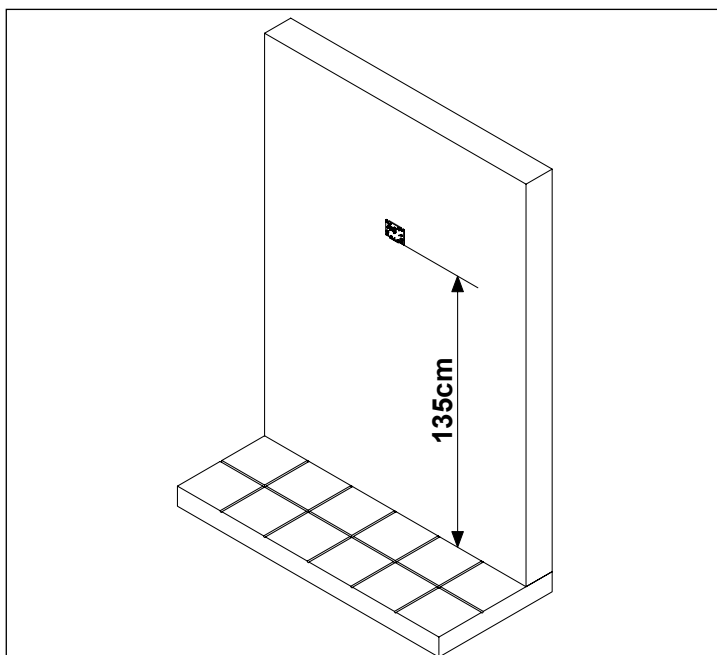


Fig. 1

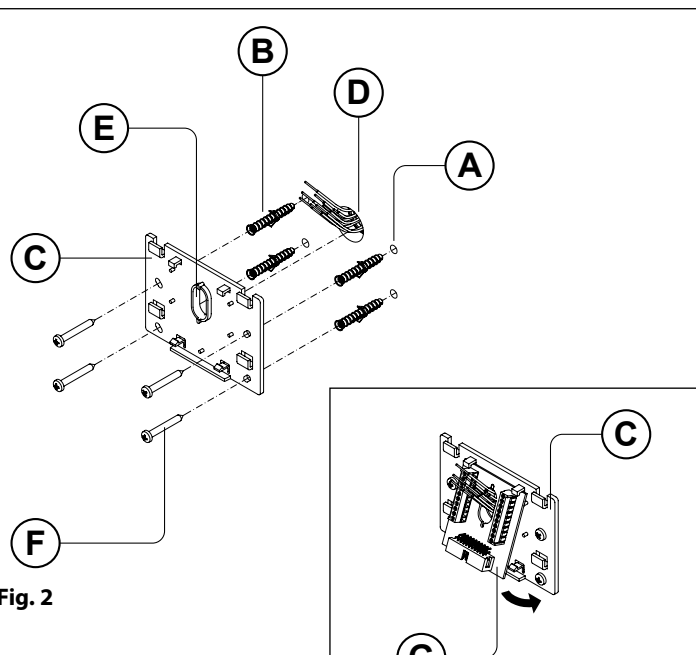


Fig. 2

Fig. 3

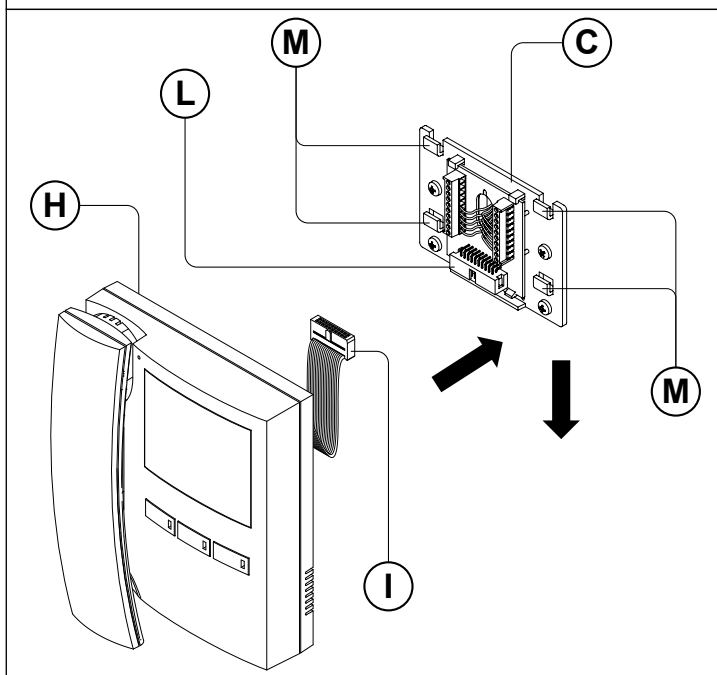


Fig. 4

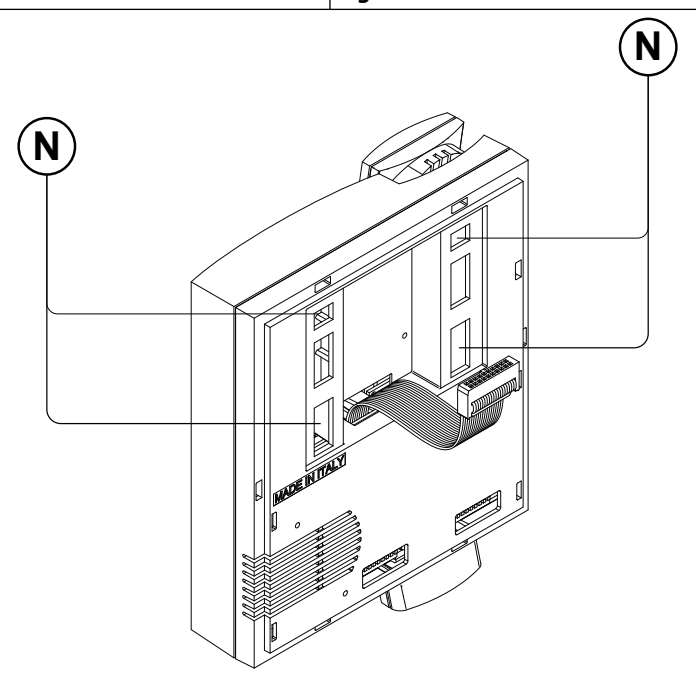


Fig. 5

1. Cables must be fed through the opening **E** (**Fig. 2**) of the mounting plate **C**, which should be fitted approximately 135cm from finished floor level as shown in **Fig. 1**;
2. Place the mounting plate **C** against the wall feeding the wire group **D** through opening **E** of the mounting plate and mark the fixing holes **A** (**Fig. 2**);
3. Drill the fixing holes **A**, insert the wall plugs **B** then with the cables threaded through opening **E** fix the mounting plate **C** to the wall with the 4 screws provided **F** (**Fig. 2**);
4. Hook the PCB connection board **G** to the mounting plate **C** as shown in **Fig. 3** and connect the wires (using the screwdriver provided) to the terminals as shown in the diagram provided;
5. Once the wires are connected, hook the videophone **H** to the mounting plate **C** as shown in **Fig. 3**;
6. Connect the Plug **I** on the ribbon cable from the videophone to the plug **L** on the PCB connection board **G**;
7. Place the videophone **H** against the 4 hooks **M** on the mounting plate **C** (in line with the 4 openings **N** on the rear side of the videophone **Fig. 5**) and push down as suggested by the pointers in **Fig. 4**, the videophone will lock into place;
8. To remove the videophone, hold it firmly and push the unit in an upward direction until the videophone **H** unlocks from the mounting plate **C**.

A series of horizontal dashed lines providing space for handwritten notes.



THE POWER TO SECURE



made in
ITALY

MANUFACTURER

VIDEX ELECTRONICS S.P.A.

Via del Lavoro, 1 - 63846 Monte Giberto (FM) Italy
Tel (+39) 0734 631669 - Fax (+39) 0734 632475
www.videx.it - info@videx.it

CUSTOMER SUPPORT

All Countries:

VIDEX ELECTRONICS S.P.A.

www.videx.it - technical@videx.it
Tel: +39 0734-631669 - Fax: +39 0734-632475

UK Customers:

VIDEX SECURITY LTD

www.videx-security.com
Tech Line: 0191 224 3174 - Fax: 0191 224 1559

Main UK office:

VIDEX SECURITY LTD

1 Osprey Trinity Park
Trinity Way
LONDON E4 8TD
Phone: (+44) 0870 300 1240
Fax: (+44) 020 8523 5825
www.videx-security.com
marketing@videx-security.com

Northern UK office:

VIDEX SECURITY LTD

Unit 4-7
Chillingham Industrial Estate
Chapman Street
NEWCASTLE UPON TYNE - NE6 2XX
Tech Line: (+44) 0191 224 3174
Phone: (+44) 0870 300 1240
Fax: (+44) 0191 224 1559

Greece office:

VIDEX HELLAS Electronics

48 Filolaou Str.
11633 ATHENS
Phone: (+30) 210 7521028
(+30) 210 7521998
Fax: (+30) 210 7560712
www.videx.gr
videx@videx.gr

Danish office:

VIDEX DANMARK

Hammershusgade 15
DK-2100 COPENHAGEN
Phone: (+45) 39 29 80 00
Fax: (+45) 39 27 77 75
www.videx.dk
videx@videx.dk

Benelux office:

VIDEX BENELUX

E3 laan, 93
B-9800 DEINZE
Phone: (+32) 9 380 40 20
Fax: (+32) 9 380 40 25
www.videxbenelux.be
info@videxbenelux.be



The product is CE marked demonstrating its conformity and is for distribution within all member states of the EU with no restrictions. This product follows the provisions of the European Directives 2014/30/EU (EMC); 2014/35/EU (LVD); 2011/65/EU (RoHS); CE marking 93/68/EEC.