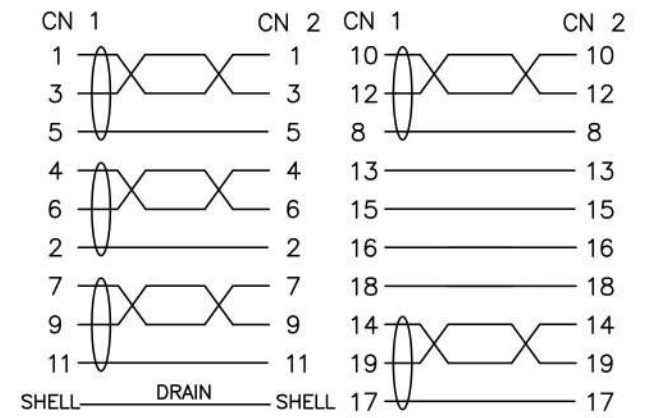


**ELECTRONIC TEST:**

- 1.OPEN/SHORT/INTERMITTENCE: 100%.
- 2.HI-POT: AC 150V 0.01S
- 3.INSULATION RESISTANCE:DC300V 0.01S 10MΩ(MIN)
- 4.CONDUCTIVE RESISTANCE:3 OHM (MAX)
- 5.Transmission rate:18G
- 6.HD-TV:4K\*2K @60Hz

**Pin OUT**



⑤	MOLDED	45P BLACK PVC		G
④	MOLDED	LD-PE		G
③	FERRITE	28.5×φ14×φ9.0	2	PCS
②	CONNECTOR	HDMI A Male Gold plated	2	PCS
①	CABLE	(1/0.32BC*1P+1/0.32BC+AL)*5+1/0.32BC*4C+A+D(1/0.32BC)+B(96/0.12AL-MG) BLACK PVC OD:7.3±0.2MM PRINTING:High Speed HDMI Cable with Ethernet	5000	MM
NO.	MATERIAL	DESCRIPTION	QTY.	UNIT

Ltemref	Quantity	Title/Name,designation,material,dimension etc	Article No./Reference		
Designed by	Checked by	Approved by - date 18-01-2019	File name	Date 18-01-2019	Scale FREE
HDMI2.0 AM/M 5.0M With 2 Ferrites					
UNIT:MM			26-70504K	Edition 1	Sheet 1/1