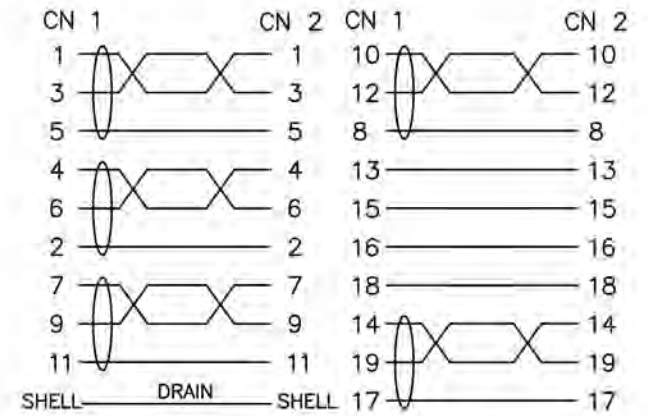


**ELECTRONIC TEST:**

- 1.OPEN/SHORT/INTERMITTENCE: 100%.
- 2.HI-POT: AC 150V 0.01S
- 3.INSULATION RESISTANCE:DC300V 0.01S 10MΩ(MIN)
- 4.CONDUCTIVE RESISTANCE:3 OHM (MAX)
- 5.Transmission rate:18G
- 6.HD-TV:4K\*2K @60Hz

**Pin OUT**



④	MOLDED	45P BLACK PVC		G
③	MOLDED	LD-PE		G
②	CONNECTOR	HDMI A Male Gold plated	2	PCS
①	CABLE	(1/0.25BC*1P+1/0.25BC+AL)*5+1/0.25BC*4C+A+D(1/0.25BC)+B(80/0.12AL-MG) BLACK PVC OD:6.0±0.2MM PRINTING:High Speed HDMI® Cable with Ethernet	1000	MM
NO.	MATERIAL	DESCRIPTION	QTY.	UNIT

Ltemref	Quantity	Title/Name,designation,material,dimension etc			Article No./Reference		
Designed by	Checked by	Approved by - date	File name	Date	Scale	FREE	
		18-01-2019		18-01-2019			
ANGLE:							
UNIT:MM							
HDMI2.0 AM/M 1.0M							
26-70104K				Edition	Sheet		
				1	1/1		