

PRINTER'S INSTRUCTIONS:

LITERATURE, Owners Manual, EL-IPD-PRE-SIO- P/N: 10032516 Rev-B - INK: BLACK - MATERIAL: 128G TEXT-MATTE ART PAPER - SIZE: 4.125" W x 5.75" H - TOL ± .040" - SCALE: 1-1; BINDING: SADDLE STITCHED

EL-IPD-PRE-SIO

Nice

EL-IPD-PRE-SIO Network Audio Interface

Network Audio Interface

Quick Install Guide

WORKS WITH ELAN
CONTROL SYSTEMS
ELAN[®]
a Nice brand

Nice

Important Safety Instructions

1. Read, understand and follow ALL safety and installation instructions included in this manual. Failure to follow the included documentation may damage the product and will void manufacturer's warranty.
2. Follow ALL installation guidelines included with the product. Installation of the product in high humidity environments, in close proximity to heat sources and /or non-recommended locations will impede, interfere and/or damage the intended operation of the product.
3. Only use attachments and accessories which have been specified for use by the manufacturer.
4. The use of abrasive, liquid or solvent based cleaning fluids will damage the product.
5. Product Servicing may only be completed by authorized or certified service centers & personnel. For a complete list of product servicing options, please follow instructions included in the product documentation and /or contact original manufacturer for details.

FCC and IC Information

This Class B digital apparatus complies with Part 15 of the FCC rules and with Canadian ICES-003.

Operation is Subject to the Following Two Conditions

1. This device may not cause interference and
2. This device must accept any interference, including interference that may cause undesired operation of the device.

Cet appareil numérique de classe B est conforme aux normes canadiennes ICES-003. Son fonctionnement est soumis aux deux conditions suivantes:

(1) cet appareil ne doit pas causer d'interférence et (2) cet appareil doit accepter toute interférence, notamment les interférences qui peuvent affecter son fonctionnement.

Warning:

Changes or modifications to this unit not expressly approved by the party responsible for compliance could void the user's authority to operate the equipment.

Federal Communications Commission Interference Statement

This equipment has been tested and found to comply with the limits for a Class B digital device, pursuant to part 15 of the FCC Rules.

These limits are designed to provide reasonable protection against harmful interference in a residential installation. This equipment generates, uses and can radiate radio frequency energy and, if not installed and used in accordance with the instructions, may cause harmful interference to radio communications.

However, there is no guarantee that interference will not occur in a particular installation. If this equipment does cause harmful interference to radio or television reception, which can be determined by turning the equipment off and on, the user is encouraged to try to correct the interference by one or more of the following measures:

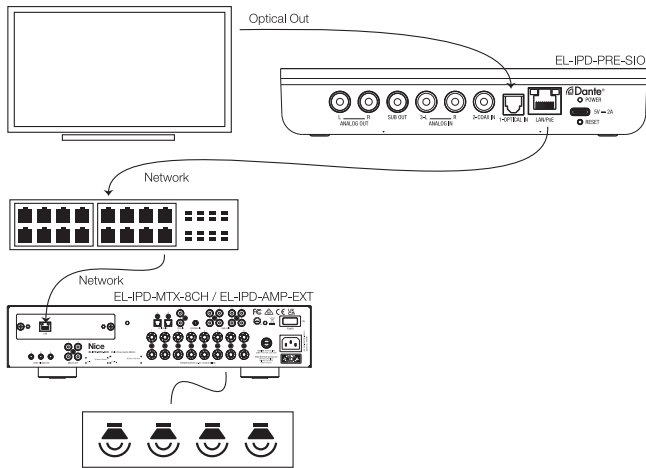
- Reorient or relocate the receiving antenna.
- Increase the separation between the equipment and receiver.
- Connect the equipment into an outlet on a circuit different from that to which the receiver is connected.
- Consult the dealer or an experienced radio/ TV technician for help.

EL-IPD-PRE-SIO Overview

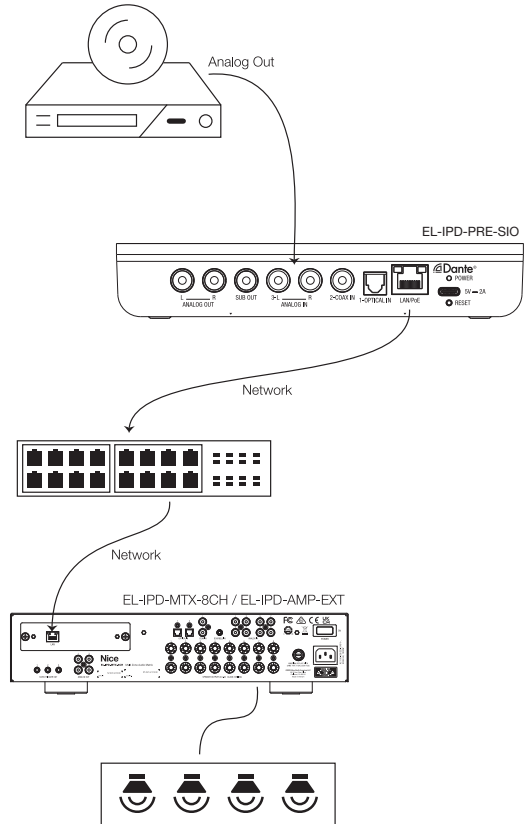
Dimensions: 7.01 W x 1.09 H x 4.13in D / 17.80 W x 2.79 H x 10.5cm D

The EL-IPD-PRE-SIO Network Audio Interface enables the delivery of bi-directional audio over a standard local area network. Send audio from a single remote source to an Nice Dante enabled amplifier or from a Nice Dante enabled amplifier or preamplifier to a secondary amplifier.

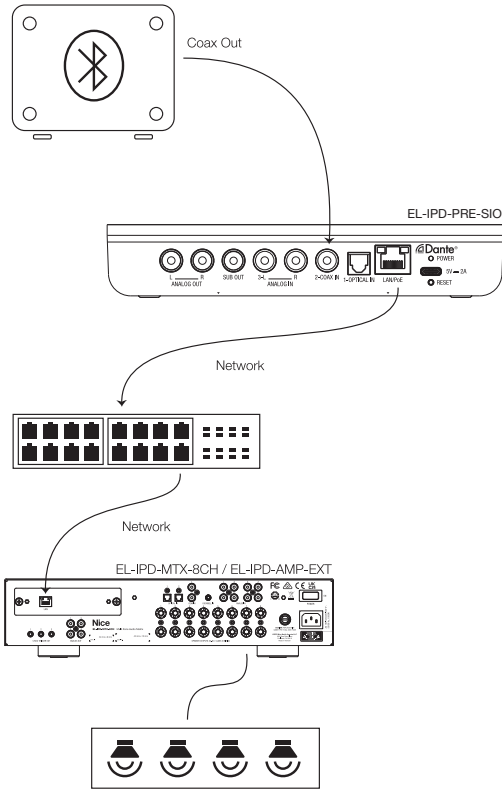
EXAMPLES - Sending audio to an Nice Dante enabled amplifier TV



Blu-Ray Player



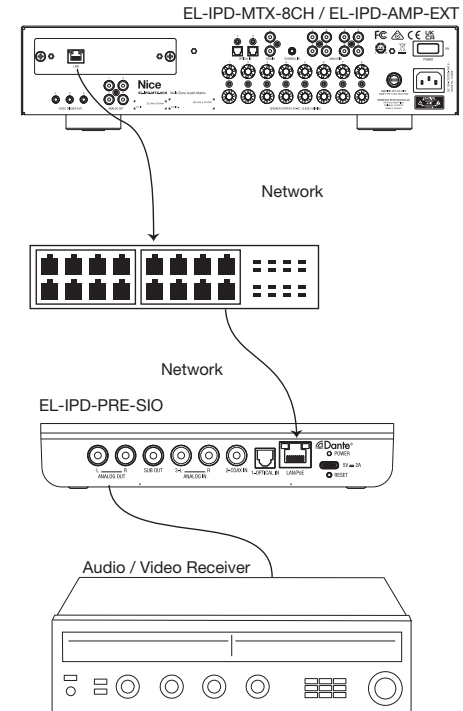
Bluetooth Receiver



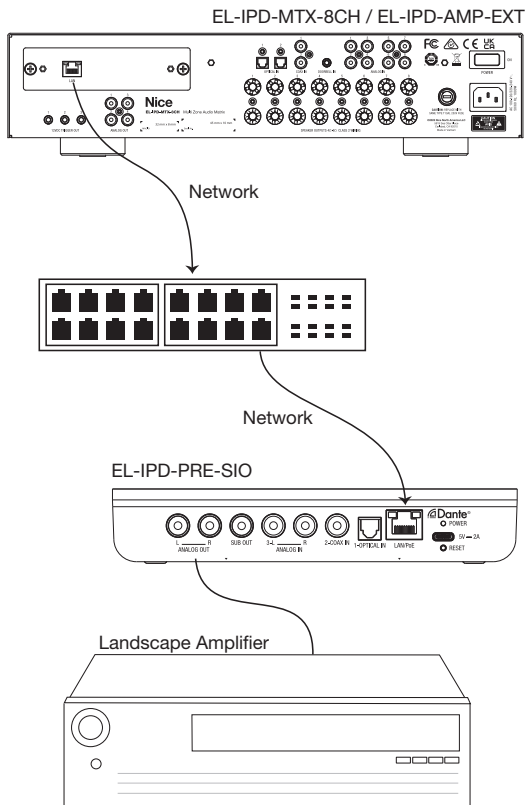
The EL-IPD-PRE-SIO enables the addition of a secondary amplifier to be added to an Nice Multi-zone audio system.

EXAMPLES - Receiving audio from an Nice Dante enabled amplifier or pre-amplifier

Audio / Video Receiver



Landscape Amplifier



A. Connections

Inputs

Three input options are available, selectable using the Nice Configurator.

1. Optical TOSLINK
2. Coaxial RCA
3. Analog RCA

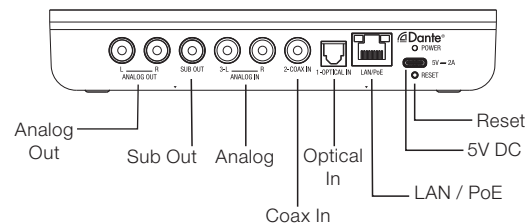
NOTE: Just one input at a time may be used, the input is selected using the Nice Configurator.

Outputs

For output to a secondary amplifier, RCA analog out and subwoofer out connections are available.

B. Power

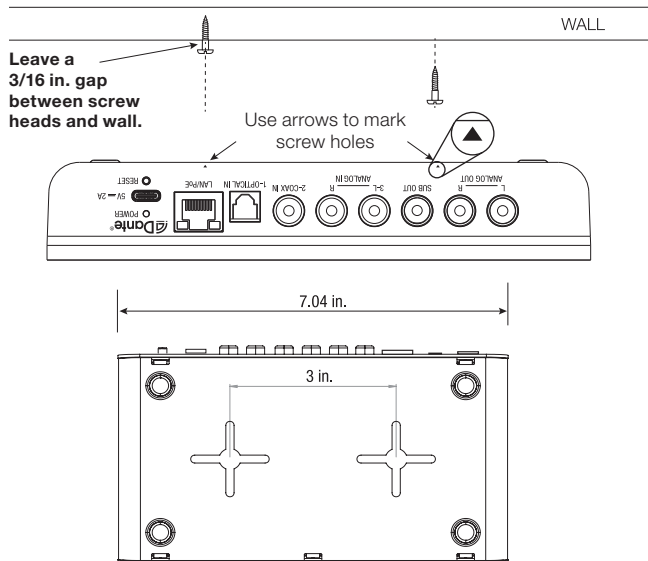
The EL-IPD-PRE-SIO can be powered using PoE 802.3af or 802.3at Type 1 or DC 5V, 2A.



C. Mounting

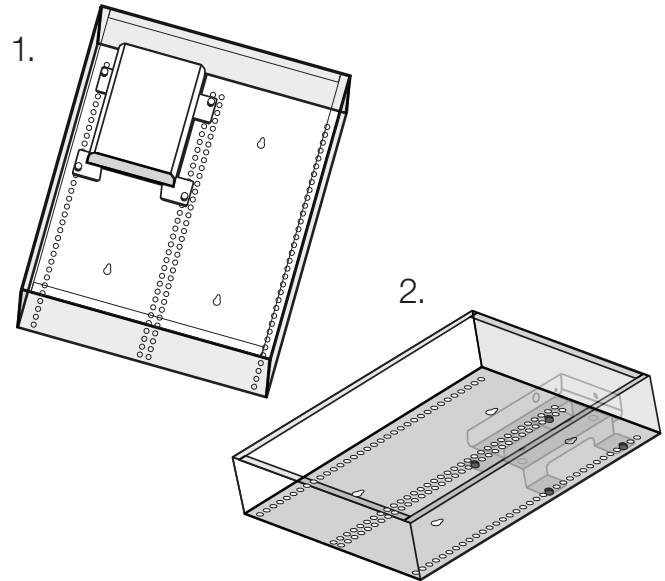
The EL-IPD-PRE-SIO is designed to mount on a shelf, wall or structured wiring cabinet.

Wall Mounting: The EL-IPD-PRE-SIO chassis has been designed to allow convenient wall mounting in any orientation. Arrows on the rear panel may be used to mark the location for the screws. Mark the screw locations, mount the screws leaving approx. 3/16" (5mm) of screw exposed and slide the chassis over the screws.



Structured Wiring Cabinet Mounting: The EL-IPD-PRE-SIO can be mounted using the optional Structured Wiring Cabinet Mount (EL-SC-100-BKT).

1. Attach mounting bracket to wiring cabinet with snap rivets and washers.
2. Snap the controller to the 2 hooks on the mounting bracket.



D. Configuration

For configuration information, please see the Nice Dante Audio Matrix Integration Notes.

Limited Warranty

Nice North America warrants the EL-IPD-PRE-SIO to be free from defects in materials and workmanship for the period of two years (2 years) from the date of purchase. If within the applicable warranty period above purchaser discovers that such item was not as warranted above and promptly notifies Nice in writing, Nice shall repair or replace the item at the company's option. This warranty shall not apply (a) to equipment not manufactured by Nice, (b) to equipment which shall have been installed by other than an Nice authorized installer, (c) to installed equipment which is not installed to Nice's specifications, (d) to equipment which shall have been repaired or altered by others than Nice, (e) to equipment which shall have been subjected to negligence, accident, or damage by circumstances beyond Nice's control, including, but not limited to, lightning, flood, electrical surge, tornado, earthquake, or other catastrophic events beyond Nice's control, or to improper operation, maintenance or storage, or to other than normal use of service. With respect to equipment sold by, but not manufactured by Nice, the warranty obligations of Nice shall in all respects conform to the warranty actually extended to Nice by its supplier. The foregoing warranties do not cover reimbursement for labor, transportation, removal, installation or other expenses which may be incurred in connection with repair or replacement. Except as may be expressly provided and authorized in writing by Nice, Nice shall not be subject to any other obligations or liabilities whatsoever with respect to equipment manufactured by Nice or services rendered by Nice.

THE FOREGOING WARRANTIES ARE EXCLUSIVE AND IN LIEU OF ALL OTHER EXPRESSED AND IMPLIED WARRANTIES EXCEPT WARRANTIES OF TITLE, INCLUDING BUT NOT LIMITED TO IMPLIED WARRANTIES OF MERCHANTABILITY AND FITNESS FOR A PARTICULAR PURPOSE.

ATTENTION: TO OUR VALUED CUSTOMERS

To ensure that customers obtain quality pre-sale and after-sale support and service, Nice North America products are sold exclusively through authorized dealers. Nice North America products are not sold online. The warranties on Nice North America products are NOT VALID if the products have been purchased from an unauthorized dealer or an online E-tailer. To determine if your Nice North America reseller is authorized, please call Nice North America at (707) 283-5900.

Technical Support:

800-421-1587

Technical Support Hours:

Monday – Friday, 6am – 4pm PST

Nice North America

c/o Customer Service

5919 Sea Otter Place, Suite 100

Carlsbad, CA 92010



Nice

Niceforyou.com

©2023 Nice North America LLC.

All rights reserved.