

Wireless Keyless Entry

Model Series 787E

FEATURES OF THE KEYPAD TRANSMITTER

Personalized Code: Up to 10,000 possible combinations. Code can easily be changed if desired.

Operation: Operator activates when 4-digit code and ENTER button are pressed.

The Keypad Transmitter will open and close the door even if the Door Control Lock Switch feature is ON.

If wrong numbers are accidentally pressed, correction can be made immediately. The ENTER key will transmit only the last four digits.

The keypad will blink for 15 seconds after the code is transmitted. During that time, you can STOP or REVERSE door travel just by pressing the ENTER key.

The Keypad Transmitter can be used with any "Smart" garage door operator.

All "Smart" garage door operators have a separate memory channel for Keypad activation of the operator.

Power Supply: 9 Volt battery.

SETTING THE CODE **A**

Before installing Keypad, set the code.

1. Decide on a 4-digit code using numbers from 0 to 9. You can use a number more than once (for example, 4, 0, 4, 1).
2. Locate the "Smart Button" **1**, and indicator light **2** on the door operator end panel **3**.
3. Press the selected code digits on the keypad. PRESS AND HOLD THE ENTER BUTTON. Press the "Smart" button on the operator end panel. The indicator light will flash once. Now the receiver has learned the selected keypad code.

After programming the keypad, test your portable remote control transmitter. If the push button(s) no longer activates the door operator, reprogram the remote.

To change codes at any time, repeat Steps 2 and 3.

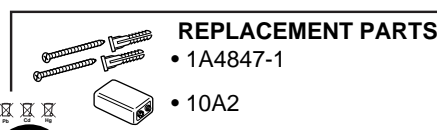
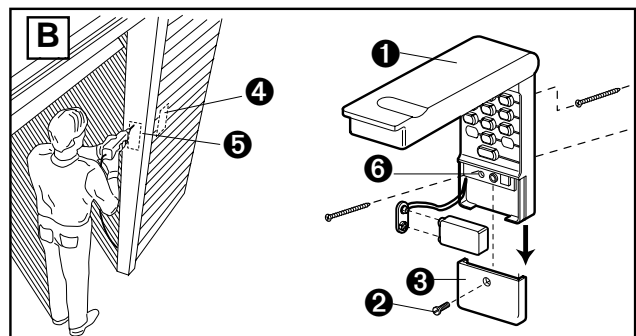
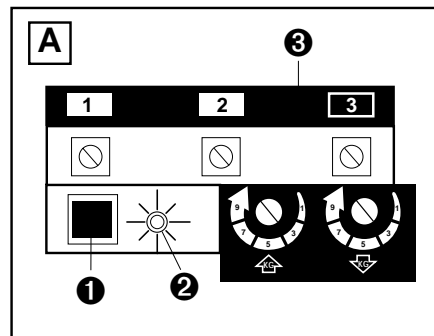
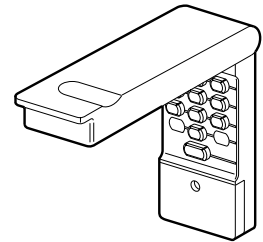
BATTERY: The 9 Volt battery should produce power for at least one year. As long as there is adequate power, the keypad will illuminate and the operator will activate when number and ENTER keys are pressed. Replace the battery when keypad illumination becomes dim.

INSTALLING THE KEYPAD **B**

1. Open the keypad cover **1** and remove the battery compartment screw **2**.
2. Slide off the battery compartment cover **3** to access the bottom mounting hole.
3. The keypad must be installed within sight of the door. Center it at eye level against the selected location on garage exterior as shown **4**. **NOTE: For a one-piece door on a brick, stone or aluminum sided garage, use the optional location **5** shown in the illustration to avoid injury as the door swings up and out.**
4. Mark 10-1/2 cm up the centerline from the bottom of the keypad and drill a 3 mm pilot hole for wood (5 mm for masonry). Install top mounting screw, allowing 3 mm to protrude above surface. Position keypad on screw head and adjust for snug fit.
5. Lift cover so bottom mounting hole **6** is visible, and use a punch to mark hole. Remove keypad and drill a 3 mm pilot hole. Replace keypad and install bottom screw, using care to avoid cracking plastic housing. **Do not overtighten.**
6. Refasten battery compartment cover.

418MHz

For use with Chamberlain manufactured garage door openers, gate openers, tubular motor controls, and radio controls identified on the serial number label with a UK or 418 model suffix.



Declaration of Conformity

Keyless Entry System.....Model No.787E
are in conformity to the applicable sections of StandardsETS 300 683
per the provisions & all amendments of the EU Directives1999/5/EC

I, the undersigned, hereby declare that the equipment specified above and any accessory listed in the manual conforms to the above Directives and Standards.

Chamberlain GmbH
D-66793 Saarwellingen
March 1999

Colin B. Willmott
Colin B. Willmott
Chefingenieur

