

VIKY 22

KING gates
di Antonioli Mario & C. sas

Via A. Malignani, 42
33077 Sacile (PN) ITALY
Tel. +39 0434 737082
Fax +39 0434 783382
P.I. 01285110936
info@king-gates.com
www.king-gates.com

● 1. GENERAL DESCRIPTION

The photocell Viky 22 has been designed and created for use on power operated doors (gates, doors...). It has autotest function, usable with control units able to manage it.

The autotest function is carried out as follows: before any manoeuvre the station inhibits the transmitter by sending a voltage between +5 and +24 VDC on terminal N° 3. The absence of the infrared beam thus brought about generates, with a 20 ms. delay, opening of the receiver's N.C. contact. The station checks that the described procedure is properly carried out before each manoeuvre. It complies with european directive 98/336/EEC (EMC).

● 2. APPLICATIONS

With stations equipped with autotest device for safety applications.

● 3. MAIN TECHNICAL FEATURES

Power supply (TX - RX)	12 / 24 V ac/dc
Consumption	30mA
Container	Nylon caricato a vetro
Size / Weight	Fig. 1/ 400 g.
Modulation frequency	1000Hz
Degree of insulation	IP44
Relay contact capacity	0.5A @ 24Vac/dc
Infrared beam range	35 mnominal (*)
Working temperature	-20 +60°C
Intervention time	<20ms

(*) This value can decrease to 70 % owing to very violent atmospheric phenomena or to inaccurate alignment.

● 4. RECEIVER TERMINAL BOARD

+12 / +24 VAC/DC	Power supply 12 - 24 VAC/DC
0 V	Common supply
N.C.	Relay contact normally closed
C	Common relay contact
N.A.	Relay contact normally open

● 5. TRANSMITTER TERMINAL BOARD

+12 / +24 VAC/DC	Power supply 12 - 24 VAC/DC
0 V	Common supply
Ingresso autotest	From +5 to +24 VDC to block infrared beam emission Do not use terminal 3 if the control unit is not able to manage the AUTOTEST function.

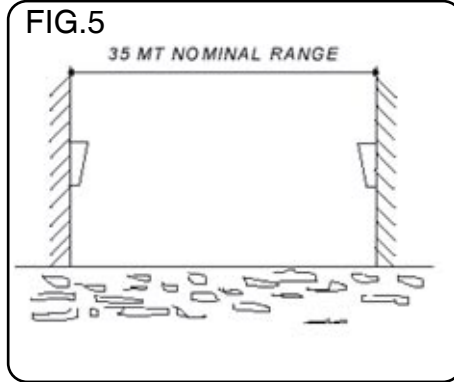
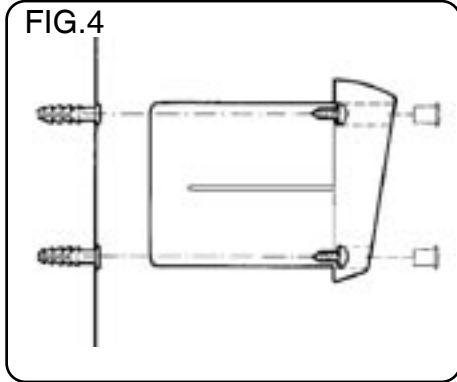
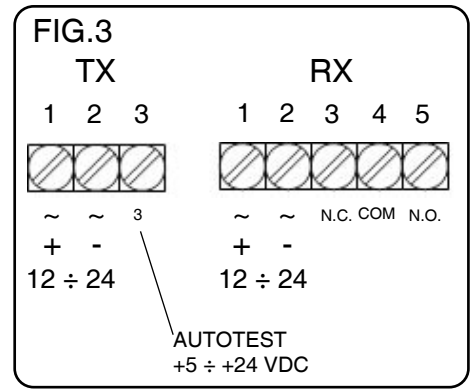
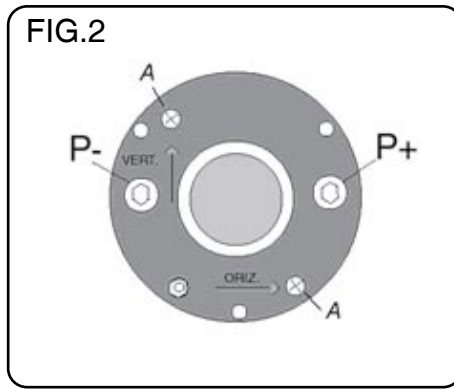
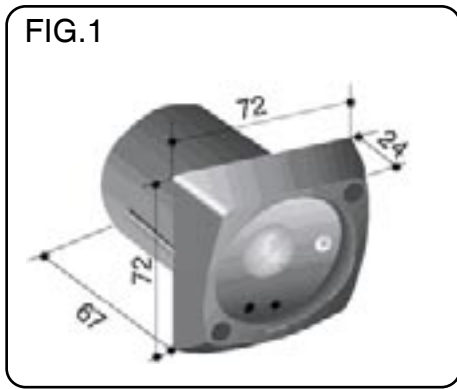
● 6. FUNCTIONING

Align the beam with the receiver using the screws "A" (fig. 2) on the receiver and transmitter. Interruption of the infrared beam generates opening of the normally closed contact of the relay on the receiver.

● 7. NOTES

Alignment is checked by voltmeter measuring of tension at the receiver test-point (P- / P+ fig.2). This value varies in accordance with various parameters, among which the distance between the photocells. This value can range between -0.7 and 0.7 VDC.

DISTANCE TX-RX	VALUE ON T.P.
5m	0.6 ÷ 0.7 VDC
10m	0.5 ÷ 0.6 VDC
20m	0.4 ÷ 0.5 VDC
30m	0.3 ÷ 0.4 VDC



SAFETY WARNINGS

These warnings are an integral and essential part of the product, and must be delivered to the user. Read them carefully: they provide important installation, operating, and maintenance instructions. Keep this form and give it to any persons who may use the system in the future. Incorrect installation or improper use of the product may cause serious danger.

INSTALLATION INSTRUCTIONS

- Installation must be performed by a qualified professional and must observe all local, state, national and European regulations.
- Before starting installation, make sure that the product is in perfect condition.
- Laying, electrical connections, and adjustments must be done to "Industry Standards".
- Packing materials (cardboard, plastic, polystyrene, etc.) are potentially dangerous. They must be disposed of properly and kept out of the reach of children
- Do not install the product in an explosive environment or in an area disturbed by electromagnetic fields.
- The presence of gas or inflammable fumes is a serious safety hazard.
- Provide an overvoltage protection, mains/knife switch and/or differential on the power network that is suitable for the product and conforming to current standards.
- The manufacturer declines any and all liability if any incompatible devices and/or components are installed that compromise the integrity, safety, and operation of the product.
- Only original spares must be used for repair or replacement of parts.
- The installer must supply all information regarding the operation, maintenance, and use of individual components and of the system as a whole.

MAINTENANCE

- To guarantee the efficiency of the product, it is essential that qualified professionals perform maintenance at the times and intervals required by the installer, by the manufacturer, and by current law.
- All installation, maintenance, repair and cleaning operations must be documented. The user must store all such documentation and make it available to competent personnel.

WARNING FOR THE USER

- Carefully read the enclosed instructions and documentation.
- This product must be used for its intended purpose only. Any other use is improper and therefore dangerous. The information contained herein and in the enclosed documentation may be changed without notice, and are in fact provided in an approximate manner for application of the product. Antonioli Mario & C. sas declines any and all liability in this regard.
- Keep this product, devices, documentation and all other items out of the reach of children.
- In case of maintenance, cleaning, breakdown or malfunction of this product, turn off the unit and DO NOT try to repair it yourself. Call a qualified professional only. Disregard of this instruction may cause extremely dangerous situations