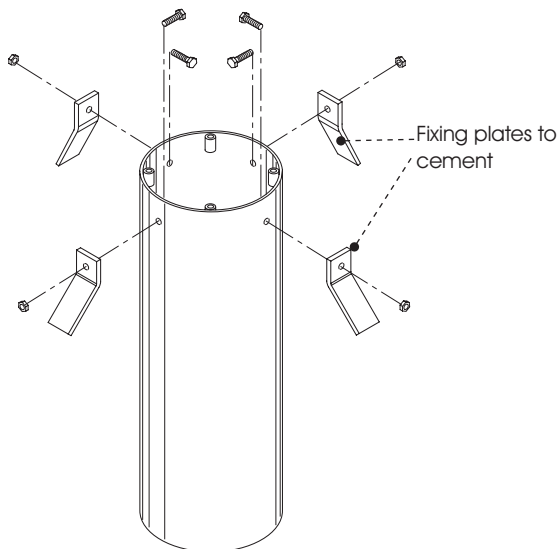


GASPO 252

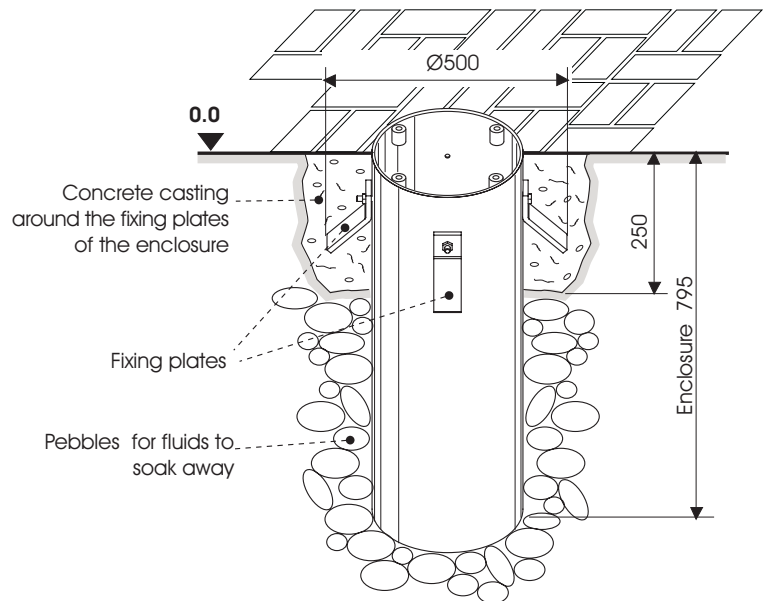
Hand-operated

with **GAS SPRINGS**

ENCLOSURE INSTALLATION AND FIXING



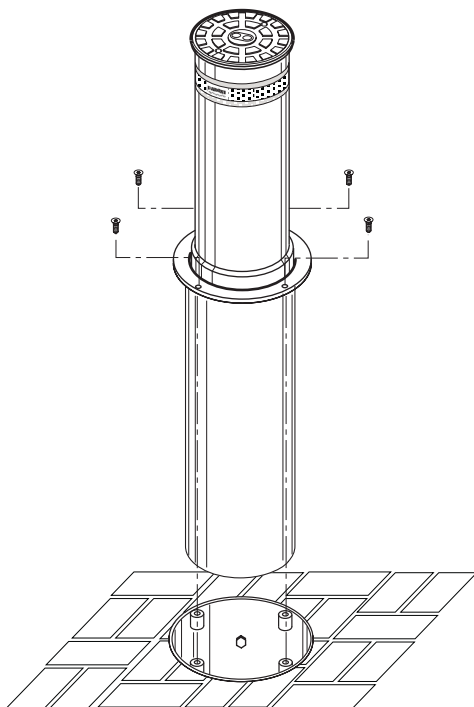
Fix the fixing plates to the enclosure with the provided bolts



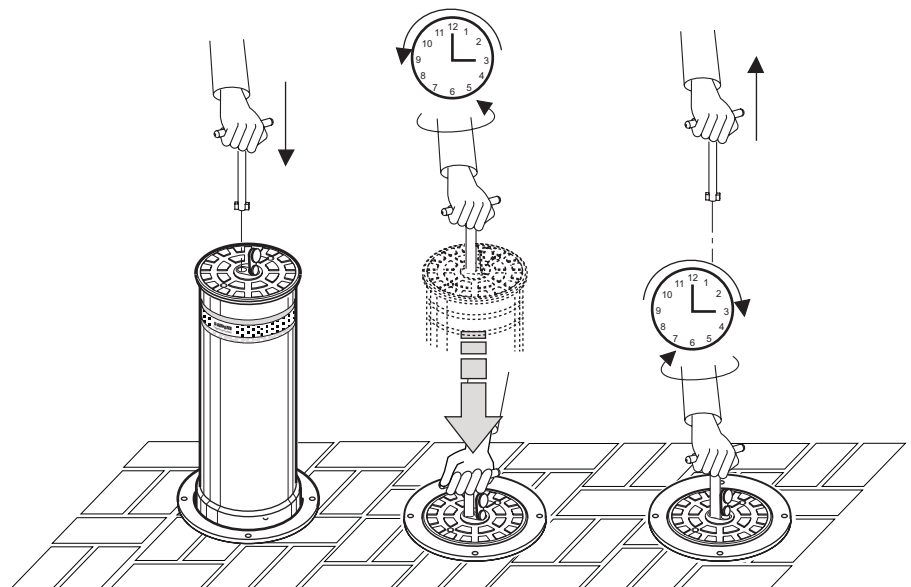
Once setting is completed, Gaspo 252 enclosure must be flush with pavement

FITTING THE POST INTO THE ENCLOSURE

To facilitate the fitting operations into the enclosure, we advise to bring the post to standing out position. Then sink the assembly into the enclosure and fixing it by the M10x20 TSEI screws



GASPO 252 FUNCTIONING

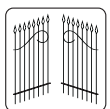


Lowering the post:

- Insert the shaped spanner into the lock under the post cover.
- To **unlock** the post, turn the spanner **anticlockwise** and lower the post completely
- When the post is completely lowered, to **lock** the post in down position and be allowed to **remove the spanner**, turn it **clockwise**

Resetting the post: carry out the previous operations backwards: insert the spanner, turn it **anticlockwise** to **unlock** and lift the post, then turn it **clockwise** to **lock** the post and be allowed to **remove the spanner**.

CE



FADINI
the gate opener
made in Italy

GB

Drwg. No. **6450**

INSTALLATION AND FUNCTIONING
OF THE HAND-OPERATED POST **GASPO 252**

 **meccanica
FADINI**