

BEARING FOUNDATION CASE FOR SUB



1) DIMENSIONS (FIG.1)

2) FOUNDATION CASE INSTALLATION

Make a hole in the ground at the foot of the gatepost which is large enough to house the CPS-CPSG case. Make sure that water is always drained away adequately. Make a concrete base on which the case can rest so that adjustment can be carried out (fig.2). The case should be positioned so that the centre of the bushing is in a perfect line with the hinge of the gate leaf. Check the axis of the gate leaf with a plumb line and both sides of the box with a level (fig.2). Position the drain for the water and the raceways for connections. Fill the hole with concrete as in fig.3.

N.B. The edge of the case should protrude by about 8-10 mm from ground level so that the cover can be fitted correctly.

3) GATE LEAF ASSEMBLY

Once the concrete has hardened, the leaves of the gate can be assembled as follows: **Grease the bushing and brass carefully.**

3.1) Right leaf (seen from the inside - fig.3)

- Rest the gate leaf on the bushing in GATE CLOSED position, check the alignment of the leaf (bushing - leaf hinge) as when positioning the case.
- Accurately line the bushing notch up with the notch (DX>) in the case.
- Weld the bushing securely to the leaf.

3.2) Left leaf (seen from the inside - fig.3)

- Rest the gate leaf on the bushing in GATE CLOSED position, check the alignment of the leaf (bushing - leaf hinge) as when positioning the case.
- Accurately line the bushing notch up with the notch (SX>) in the case.
- Weld the bushing securely to the leaf.

4) CONTROLLER ASSEMBLY

- Remove the four M12 (fig.4-rif.G) dowels from the controller base plate.
- Insert the three M12 x 70 (fig.4-rif.V) screws.
- Insert the controller into the case.

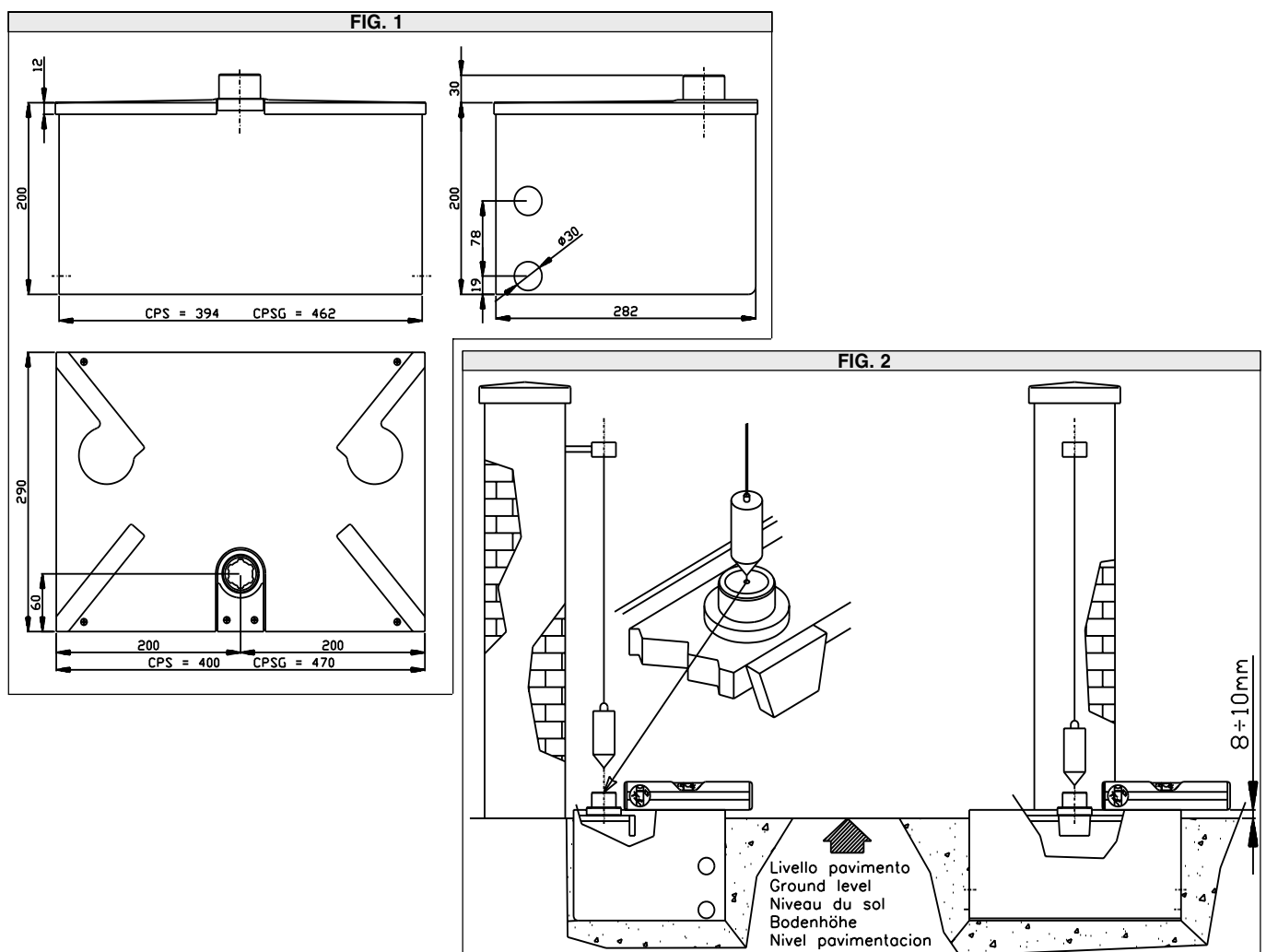


FIG. 3

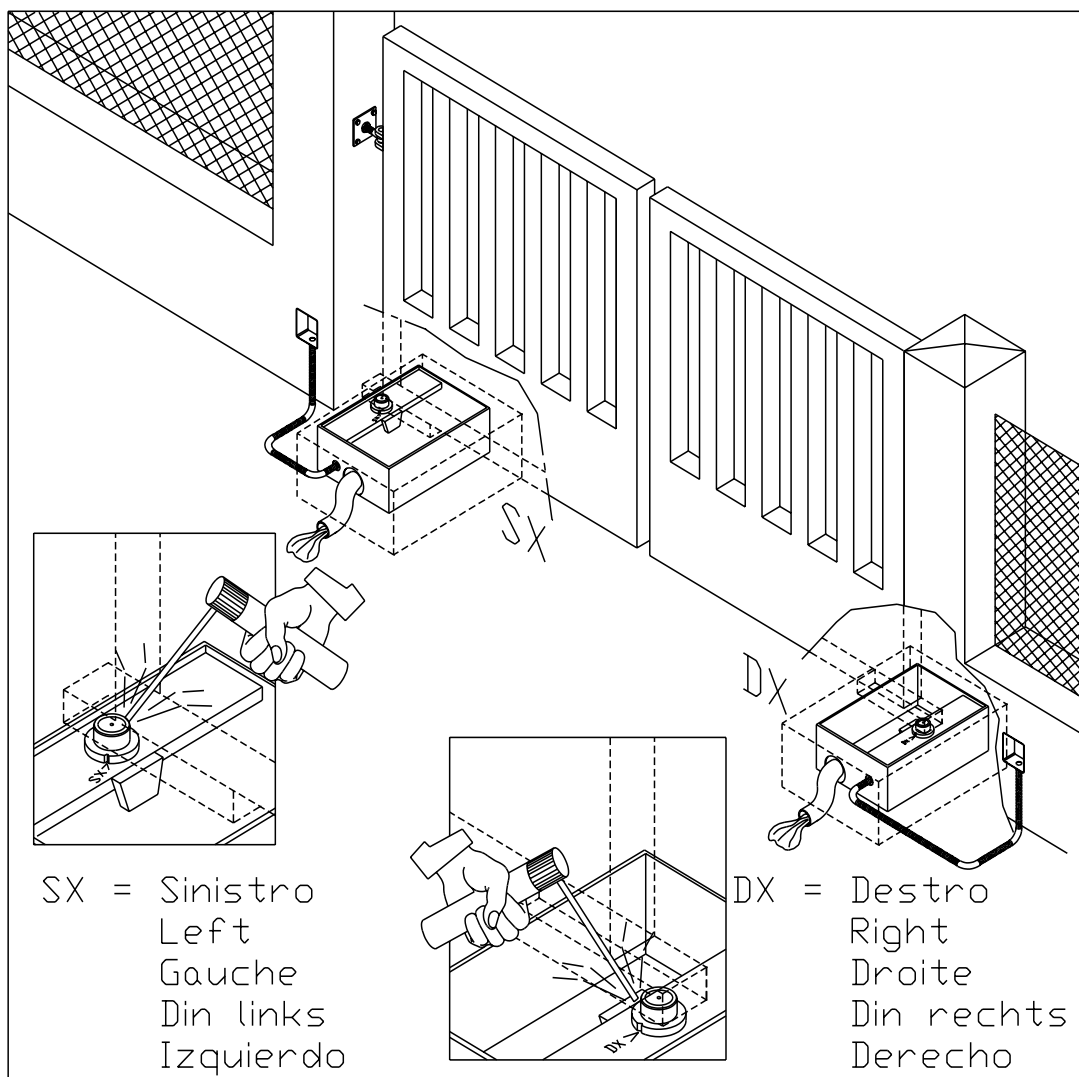


FIG. 4

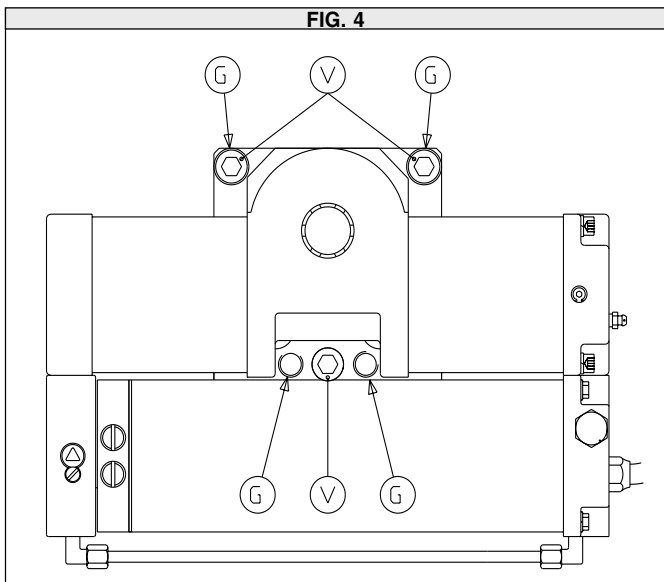


FIG. 5

